



About Us

As being Atlas Group, each day we are adding new products to our product portfolio and we are growing rapidly & surely with the power and supports which we received from you.

By using the latest technology in our production range, we are proud of presenting you the highest quality products at the best price. We had some unbelievable stages in such a short time and came to the most preferable brand both in our country and in the world by delivering our products to the world's most remote corners.

We are exporting directly around 30 countries Even these days, despite global crisis, our company has been always upward curve. This shows how much our brand ATLASPOOL has been adopted by the market. Thus, we are working continuously to deserve your confidence.

ATLAS GROUP is a group of companies. In this flag race, we follow the others with the interest and we don't give permission ourselves to loss our motivation, meet every success with the excitement, We are very sure to take this race forward more than a little every day.

ATLASPOOL provides pool equipments in many areas. Under the marketing & production understanding we present our customers the products in highest quality appropriated with the standarts, the customers can find the good products with the good price. As having TSE and other international documents our company renews itself every day and increase its capacity.

ATLASPOOL provides customer service within its knowledge in pool area and makes possible to work safely together with its experienced staff.

We introduce you our products with the economic and functional properties and we offer world wide brands to your service at the appropriated prices.

We can not put our ears to critics from you, on the contrary we welcome these approaches with respect and we thank you for the suggestions which have been provided us to getting better. Greeting you respectfully, as with yesterday, and today we're proud of walking with you in the future, as well.

Volkan KÖKLÜ
Member of Board

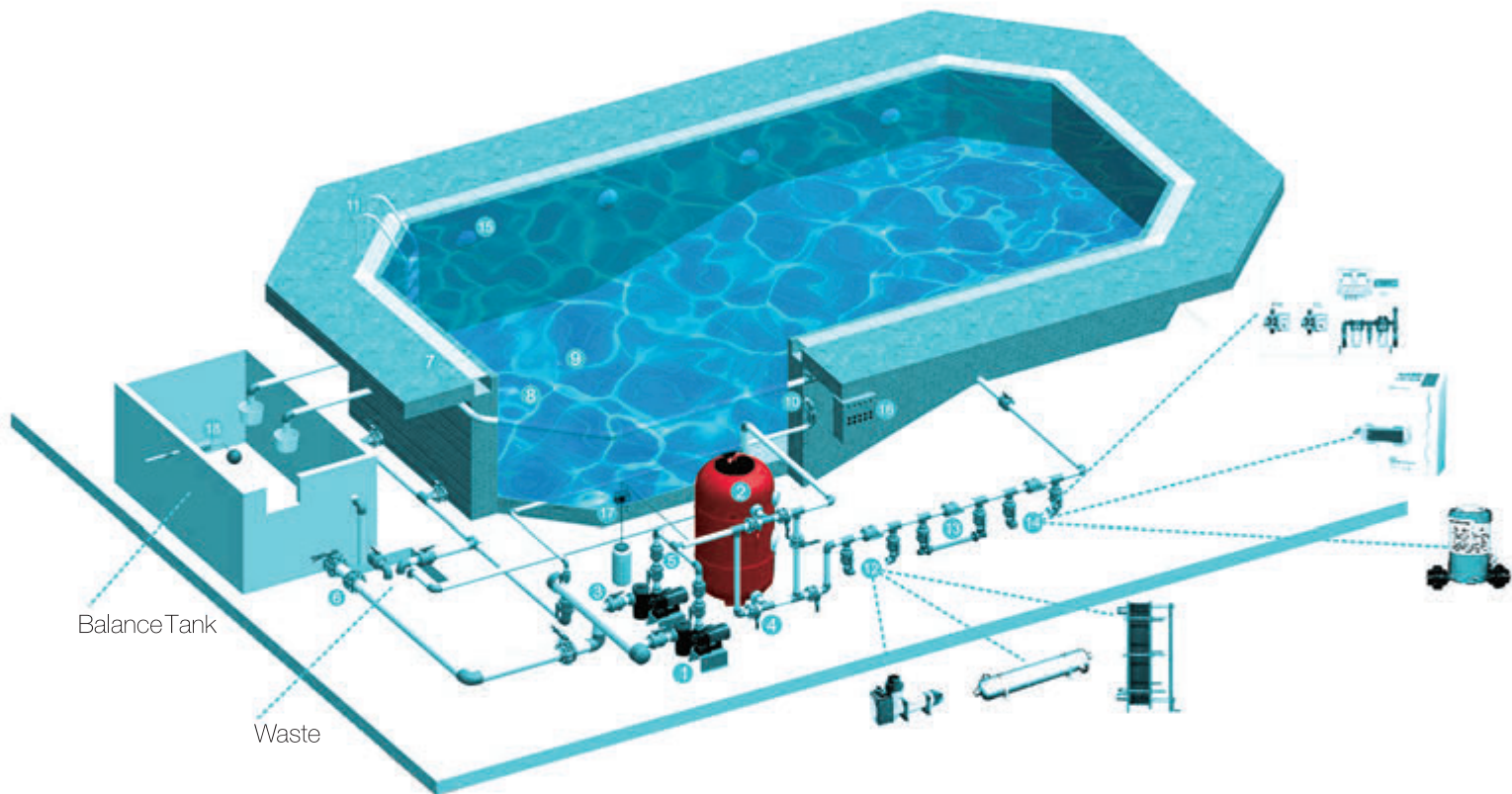


The logo for Atlaspool, featuring the brand name in a white, sans-serif font with a stylized wave graphic underneath. The background of the entire page is a collage of industrial images related to water filtration, including large cylindrical tanks, workers in protective gear, and various filtration components, all overlaid with a semi-transparent teal color.

Atlaspool

“ Our vision is to set out our product mentality with high-quality, functional and economic properties. ”

GENERAL SWIMMING POOL EQUIPMENTS'S ASSEMBLING DIAGRAM



- | | | | |
|---|-------------------------|----|---------------------------------|
| 1 | PUMP WITH PRE-FILTER | 10 | VACUUM NOZZLE |
| 2 | POLYESTER SAND FILTER | 11 | POOL LADDER |
| 3 | U-PVC BALL VALVE | 12 | ELECTRIC HEAT EXCHANGER |
| 4 | U-PVC MULTIPORT VALVE | 13 | UV AUTOMATIC DISINFECTION |
| 5 | U-PVC SPRING CHECKVALVE | 14 | DISINFECTION SYSTEMS |
| 6 | U-PVC SWING CHECKVALVE | 15 | UNDERWATER LIGHTS |
| 7 | POOL OVER FLOW GRATINGS | 16 | ELECTRIC CONTROL PANEL |
| 8 | BOTTOM GRID | 17 | DOSING PUMP (CLEAR FLOC LIQUID) |
| 9 | INLET NOZZLE | 18 | WATER LEVEL REGULATOR |

NEW PRODUCTS 2019

Page : 11

Atlaspool

SELF PRIMING - THERMOPLASTIC PUMPS
WITH PRE-FILTER 12,5 HP - 15 HP



Atlaspool

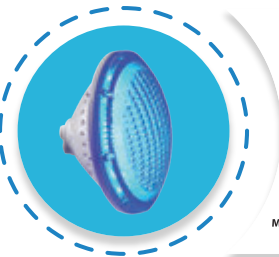
Page : 12

SELF PRIMING - THERMOPLASTIC PUMPS
WITH PRE-FILTER

Page : 21

Atlaspool

ECOSTAR FILTER



Atlaspool

Page : 35

Aluminium Body , LED Bulb and Flat Type

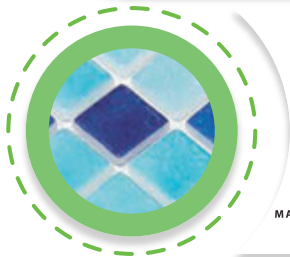
Turkey
MADE IN TURKEY

Page : 24

Atlaspool

Norm Commercial Sand Filters

Turkey
MADE IN TURKEY



Atlaspool

Page : 91

ATLASPOOL Glass Mosaics

Turkey
MADE IN TURKEY

INDEX

POOL PUMPS

7

SAND FILTERS

17

UNDERWATER LIGHTS

27

POOL BASIN AND SIDE EQUIPMENTS

35

POOL CLEANING EQUIPMENTS

49

DISINFECTION SYSTEMS

55

POOL CHEMICALS

65

OTHER PRODUCTS

71

TEXPOOL LINERS

79

POOL GLASS MOSAIC TILES HANDLES, ANTISLIPS

85

OLYMPIC POOL EQUIPMENTS

93

FOUNTAIN EQUIPMENTS

103

SPA PRODUCTS

123

SAUNA EQUIPMENTS

129

UH-PVC/PPRC PIPE, FITTING, VALVE

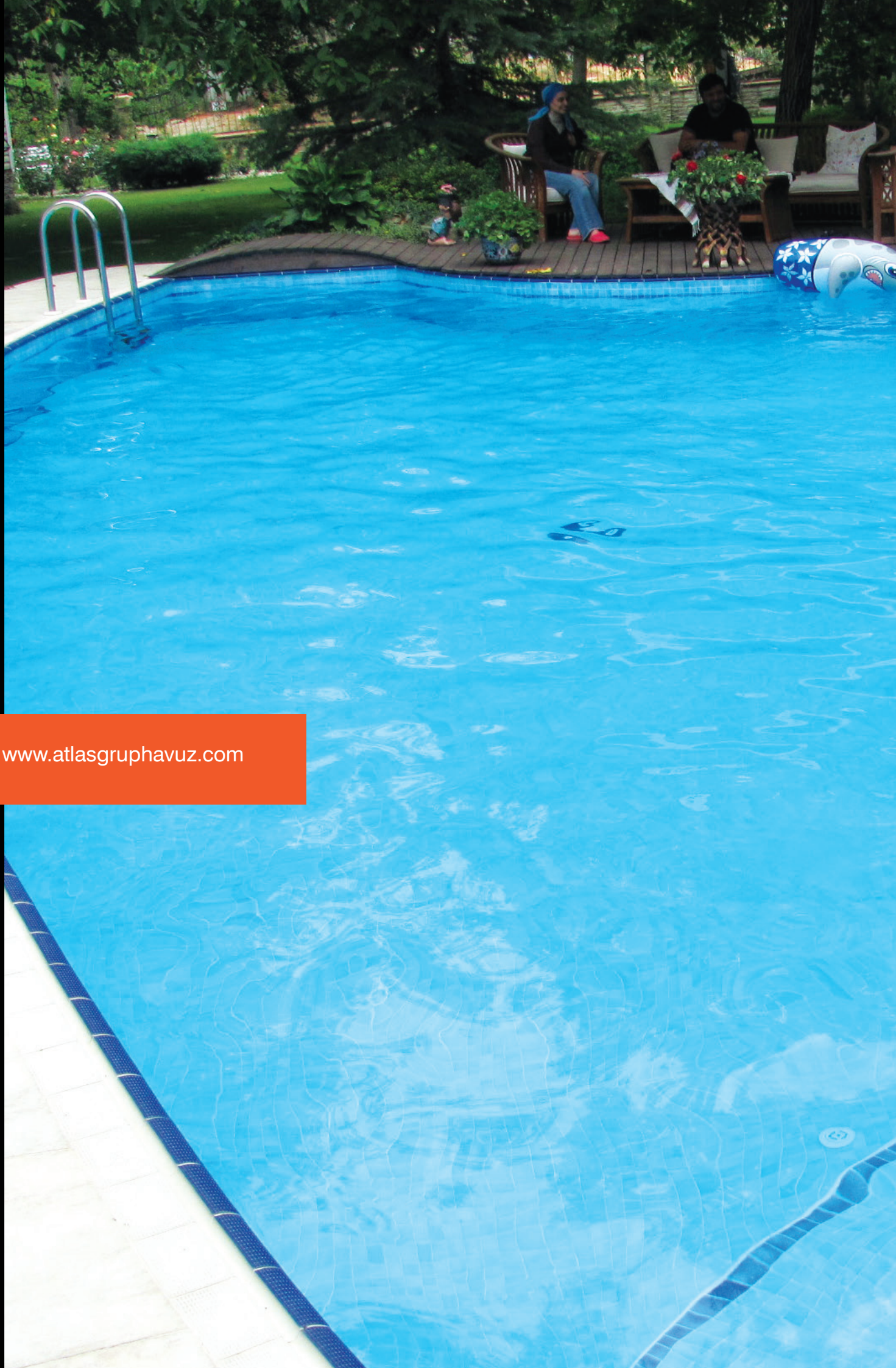
137

SPARE PARTS

161

CERTIFICATES

171



www.atlasgruphavuz.com



Atlaspool



POOL PUMPS





BEST MODEL

Made in Turkey



**SELF PRIMING - THERMOPLASTIC PUMPS
WITH PRE-FILTER**

Code	HP	Description	Kg/Pcs	Package Size	Flow m ³ /h 9 mss	Price (€)
ATS POM001	0,75	Monophase Pump with Pre-Filter	19,70	0,32x0,66x0,42	14 m ³ /h	275,00 €
ATS POM002	1,00	Monophase Pump with Pre-Filter	20,30	0,32x0,66x0,42	17 m ³ /h	300,00 €
ATS POM003	1,50	Monophase Pump with Pre-Filter	21,10	0,32x0,66x0,42	21 m ³ /h	330,00 €
ATS POM004	2,00	Monophase Pump with Pre-Filter	26,00	0,32x0,66x0,42	25 m ³ /h	360,00 €
ATS POM005	3,00	Monophase Pump with Pre-Filter	27,65	0,32x0,66x0,42	32 m ³ /h	400,00 €

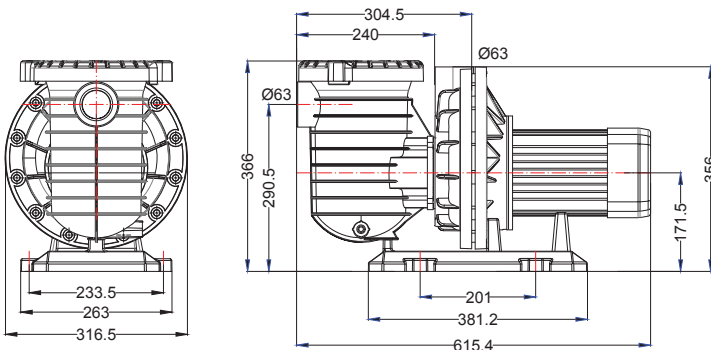
**SELF PRIMING - THERMOPLASTIC PUMPS
WITH PRE-FILTER**

Code	HP	Description	Kg/Pcs	Package Size	Flow m ³ /h 9 mss	Price (€)
ATS POM006	1,00	Threephase Pump with Pre-Filter	20,05	0,32x0,66x0,42	17 m ³ /h	300,00 €
ATS POM007	1,50	Threephase Pump with Pre-Filter	22,50	0,32x0,66x0,42	21 m ³ /h	330,00 €
ATS POM008	2,00	Threephase Pump with Pre-Filter	26,45	0,32x0,66x0,42	25 m ³ /h	360,00 €
ATS POM009	3,00	Threephase Pump with Pre-Filter	26,85	0,32x0,66x0,42	32 m ³ /h	400,00 €

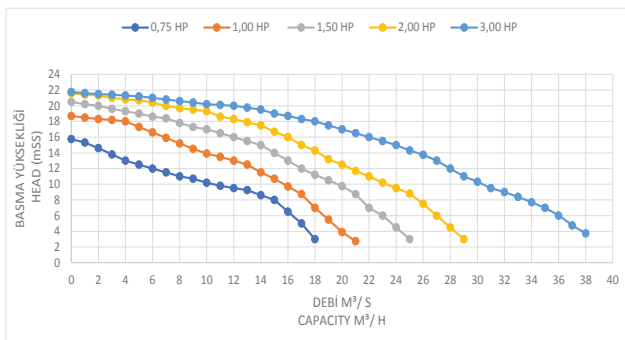


**SELF PRIMING -
THERMOPLASTIC PUMPS
WITHOUT PRE-FILTER**

Code	HP	Description	Kg/Pcs		Package Size	Flow m ³ /h 9 mss	Price (€)
			Mono	Tri			
ATS POM010	0.75	Monophase Pump without Pre-Filter	17,60	-	0,32x0,66x0,42	14 m ³ /h	255,00 €
ATS POM011	1.00	Mono-Threephase Pump without Pre-Filter	18,65	17,25	0,32x0,66x0,42	17 m ³ /h	265,00 €
ATS POM012	1.50	Mono-Threephase Pump without Pre-Filter	21,05	18,60	0,32x0,66x0,42	21 m ³ /h	280,00 €
ATS POM013	2.00	Mono-Threephase Pump without Pre-Filter	24,25	21,00	0,32x0,66x0,42	25 m ³ /h	325,00 €
ATS POM014	3.00	Mono-Threephase Pump without Pre-Filter	25,44	23,75	0,32x0,66x0,42	32 m ³ /h	365,00 €



Performance Curves



High efficiency, low energy motors are used in our pumps.

STORM MODEL

Made in Turkey



SELF PRIMING - THERMOPLASTIC PUMPS WITH PRE-FILTER

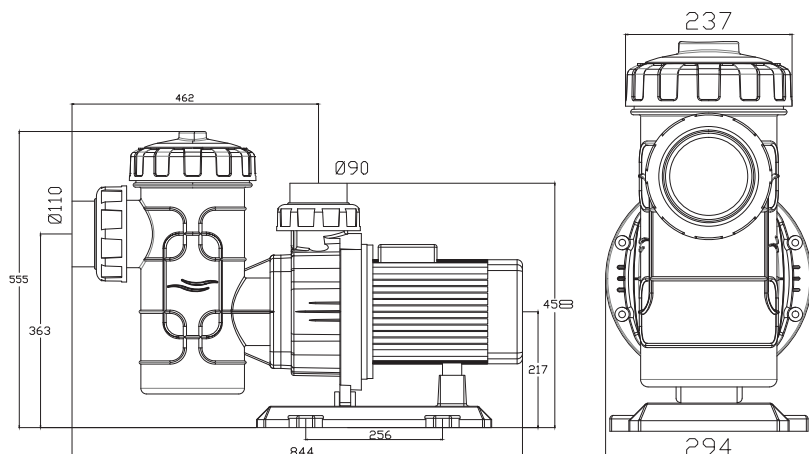
Code	HP	Description	Kg/Pcs	Package Size	Flow (m³/h) 9mss	Price (€)
ATS POM015	3,50	Threephase Pump with Pre-Filter	33,75	0,38x0,80x0,60	64 m³/h	730,00 €
ATS POM016	4,50	Threephase Pump with Pre-Filter	41,20	0,38x0,80x0,60	77 m³/h	775,00 €
ATS POM017	5,50	Threephase Pump with Pre-Filter	41,50	0,38x0,80x0,60	85 m³/h	810,00 €

Mono-Threephase Pump without Pre-Filter

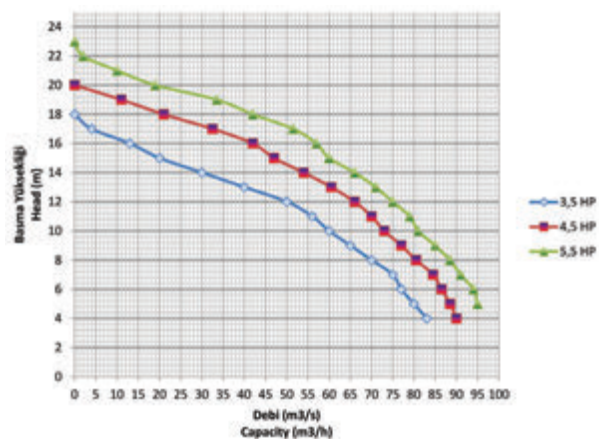


SELF PRIMING - THERMOPLASTIC PUMPS WITHOUT PRE-FILTER

Code	HP	Description	Kg/Pcs	Package Size	Flow (m³/h) 9mss	Price (€)
ATS POM018	3,50	Threephase Pump without Pre-Filter	26,50	0,38x0,80x0,60	66 m³/h	635,00 €
ATS POM019	4,50	Threephase Pump without Pre-Filter	29,80	0,38x0,80x0,60	79 m³/h	680,00 €
ATS POM020	5,50	Threephase Pump without Pre-Filter	29,90	0,38x0,80x0,60	87 m³/h	710,00 €



Performance Curves



STORM MODEL

Made in Turkey



LIFETIME
FAN

SELF PRIMING - THERMOPLASTIC PUMPS WITH PRE-FILTER

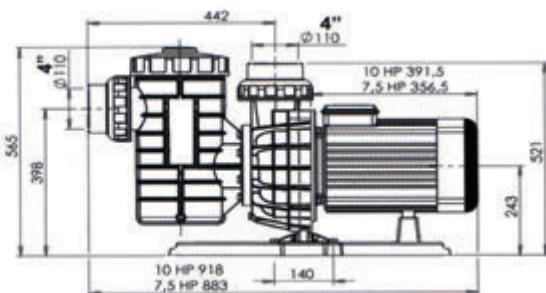
Code	HP	Description	Kg/Pcs	Package Size	Flow (m ³ /h) 9mss	Price (€)
ATS POM021	7,50	Threephase Pump with Pre-Filter	80,50	0,46 x 0,97 x 0,67	130 m ³ /h	1.080,00 €
ATS POM022	10,00	Threephase Pump with Pre-Filter	86,00	0,46 x 0,97 x 0,67	145 m ³ /h	1.290,00 €



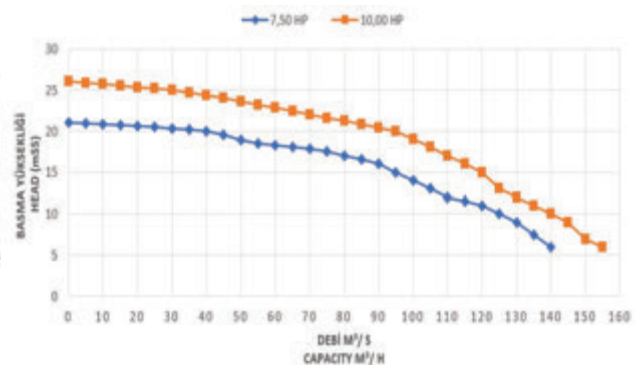
LIFETIME
FAN

SELF PRIMING - THERMOPLASTIC PUMPS WITHOUT PRE-FILTER

Code	HP	Description	Kg/Pcs	Package Size	Flow (m ³ /h) 9mss	Price (€)
ATS POM023	7,50	Threephase Pump without Pre-Filter	80,50	0,46 x 0,97 x 0,67	140 m ³ /h	990,00 €
ATS POM024	10,00	Threephase Pump without Pre-Filter	76,00	0,46 x 0,97 x 0,67	155 m ³ /h	1.190,00 €



Performance Curves



High efficiency, low energy motors are used in our pumps.



LIFETIME
FAN

SELF PRIMING - THERMOPLASTIC PUMPS WITH PRE-FILTER

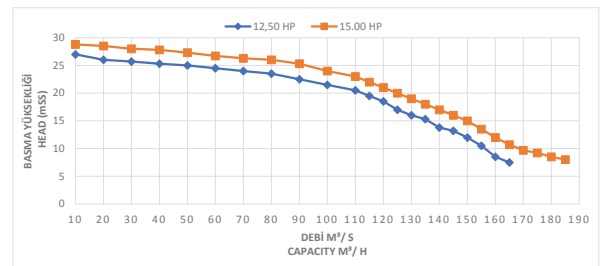
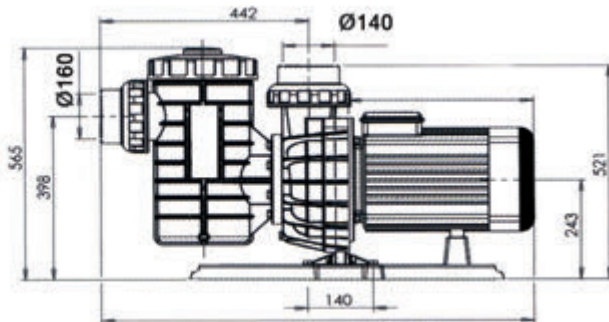
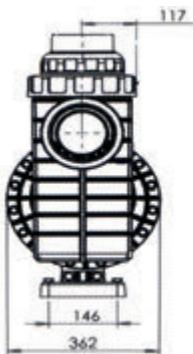
Code	HP	Description	Kg/Pcs	Package Size	Flow (m ³ /h) 9mss	Price (€)
ATS POM063	12,50 HP	Threephase Pump with Pre-Filter	85	0.46x0.97x0.67	155 m ³ /h	1.682 €
ATS POM064	15,00 HP	Threephase Pump with Pre-Filter	87	0.46x0.97x0.67	180 m ³ /h	3.589 €



LIFETIME
FAN

SELF PRIMING - THERMOPLASTIC PUMPS WITHOUT PRE-FILTER

Code	HP	Description	Kg/Pcs	Package Size	Flow (m ³ /h) 9mss	Price (€)
ATS POM065	12,50 HP	Threephase Pump without Pre-Filter	83	0.46x0.97x0.67	160 m ³ /h	1.482 €
ATS POM066	15,00 HP	Threephase Pump without Pre-Filter	85	0.46x0.97x0.67	190 m ³ /h	3.489 €



WATER ATLASPOOL SERIE PUMPS

Made in Turkey

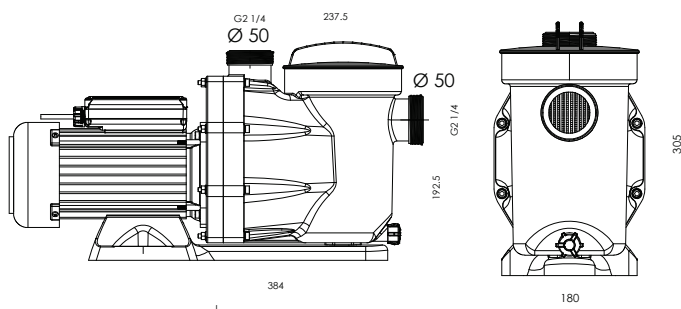


SELF PRIMING - THERMOPLASTIC PUMPS WITH PRE-FILTER

Code	HP	Description	Kg/Pcs	Package Size	Flow Rate (m ³ /h)	Price (€)
ATS POM043	0,50	Monophase Pump with Pre-Filter	8,50	0,21 x 0,60 x 0,35	12 m ³ /h	180,00 €
ATS POM044	0,75	Monophase Pump with Pre-Filter	8,80	0,21 x 0,60 x 0,35	14 m ³ /h	185,00 €
ATS POM045	1,00	Monophase Pump with Pre-Filter	10,35	0,21 x 0,60 x 0,35	17 m ³ /h	210,00 €
ATS POM046	1,50	Monophase Pump with Pre-Filter	11,45	0,21 x 0,60 x 0,35	21 m ³ /h	225,00 €
ATS POM047	2,00	Monophase Pump with Pre-Filter	13,75	0,21 x 0,60 x 0,35	25 m ³ /h	245,00 €
ATS POM044-T	0,75	Threephase Pump with Pre-Filter	8,80	0,21 x 0,60 x 0,35	14 m ³ /h	185,00 €
ATS POM045-T	1,00	Threephase Pump with Pre-Filter	10,35	0,21 x 0,60 x 0,35	17 m ³ /h	210,00 €
ATS POM046-T	1,50	Threephase Pump with Pre-Filter	11,45	0,21 x 0,60 x 0,35	21 m ³ /h	225,00 €
ATS POM047-T	2,00	Threephase Pump with Pre-Filter	13,75	0,21 x 0,60 x 0,35	25 m ³ /h	245,00 €
ATS POM043-T	3,00	Threephase Pump with Pre-Filter	15,00	0,21 x 0,60 x 0,35	32 m ³ /h	245,00 €

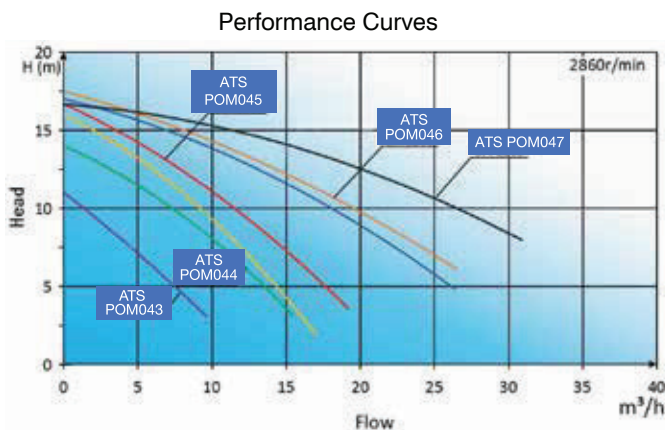
SELF PRIMING - THERMOPLASTIC PUMPS WITH PRE-FILTER & DOUBLE SPEED

Code	HP	Description	Stage 1	Stage 2	Flow Rate (m ³ /h)		Package Size	Kg/Pcs	Price (€)
					Stage 1	Stage 2			
ATS POM045DS	1,00	Monophase Double Speed Pump	2860	1450	21	9	0,21 x 0,60 x 0,35	10,35	210,00 €
ATS POM046DS	1,50	Monophase Double Speed Pump	2860	1450	27	10,8	0,21 x 0,60 x 0,35	11,45	225,00 €
ATS POM047DS	2,00	Monophase Double Speed Pump	2860	1450	30	14,4	0,21 x 0,60 x 0,35	13,75	245,00 €



POM043-44 L=528
POM046 L=556

POM045
POM047

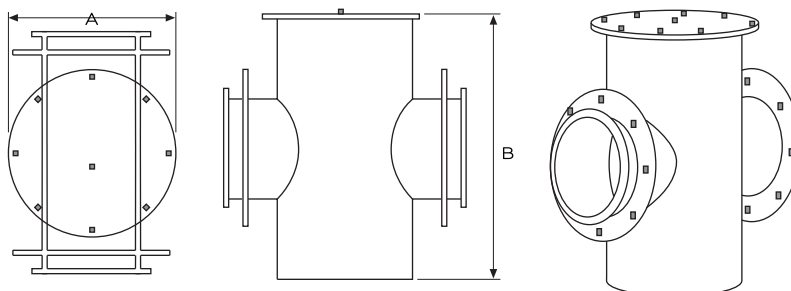




STAINLESS STEEL PRE-FILTERS (STRAINERS)

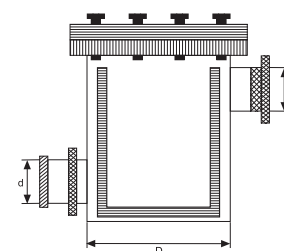
Code	Description	Kg/Pcs	Package Size	Price (€)
ATS POM025	75-2 1/2" Stainless Steel Pre-Filter	13,40	0,28x0,36x0,40	444,00 €
ATS POM026	90-3" Stainless Steel Pre-Filter	13,70	0,28x0,36x0,40	495,00 €
ATS POM027	110-4" Stainless Steel Pre-Filter	14,10	0,28x0,36x0,40	544,00 €
ATS POM028	140-4" Stainless Steel Pre-Filter	14,74	0,28x0,36x0,40	742,00 €
ATS POM029	160-6" Stainless Steel Pre-Filter	21,95	0,33x0,51x0,45	865,00 €
ATS POM030	225-8" Stainless Steel Pre-Filter	32,10	0,38x0,63x0,54	1.223,00 €

Pump Prefilter made entirely of Stainless Steel AISI 304 quality. Lid with washer, flanged connection. Lid is tightened by a simple and reliable clamp for closure.



PVC FLANGED PRE-FILTERS (STRAINERS)

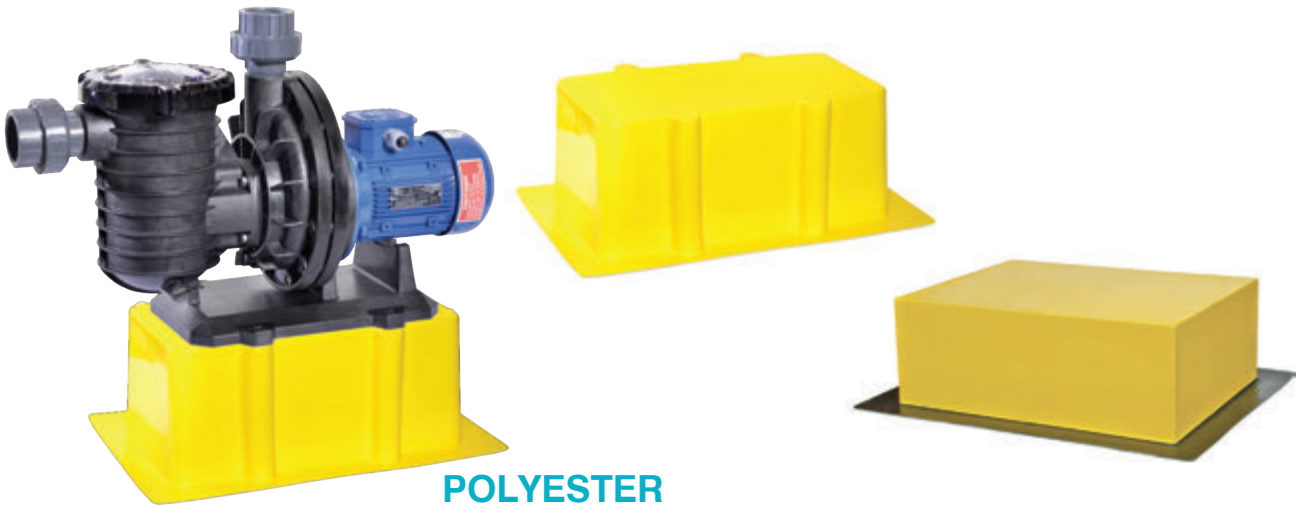
Code	Description	D (mm)	Kg/Pcs	Price (€)
ATS POM031	63-2" PVC Pre-Filter	280	15,25	253,00 €
ATS POM032	75-2 1/2" PVC Pre-Filter	280	15,25	264,00 €
ATS POM033	90-3" PVC Pre-Filter	280	15,30	275,00 €
ATS POM034	110-4" PVC Pre-Filter	315	15,35	286,00 €
ATS POM035	125-4 1/2" PVC Pre-Filter	315	19,20	297,00 €
ATS POM036	140-5" PVC Pre-Filter	315	19,25	308,00 €
ATS POM037	160-6" PVC Pre-Filter	315	21,20	330,00 €



Prefilter is made of plastic. Lid with washer, flanged connection. Lid is tightened by a simple and reliable clamp for closure.

* U-PVC Hand - Made From Pipe

Ask for availability in stock



**POLYESTER
PUMP STANDS**

Code	Description	Kg/Pcs	Package Size	Price (€)
ATS POM038	Single Polyester Pump Table	2,20	0,51x0,35x0,20	55,00 €
ATS POM039	Double Polyester Pump Table	4,70	0,20x1,02x0,34	90,00 €
ATS POM040	Triple Polyester Pump Table	12,00	0,90x0,60x0,26	150,00 €
ATS POM041	Five Polyester Pump Table	14,50	1,80x0,80x0,26	200,00 €

INSTRUCTION MANUAL

Pump suction and discharge lines should be done in accordance with the measure pump connection.

Before engaging the high flow pumps, the output valves should be completely closed or on taking half-closed position, after 5 seconds, it should be completely taken open position to receive pump cycle.

Pump suction valves should not be definitely closed during operation.

The pump front filter should be run at start-up stage after completely out of water. Even if, in case the way of testing (fixing of rotation direction), it should not be run without water.

The area where the pump works should not be damped, the motor part of the pump should not be covered with water. It is not recommended unless nonnecessity, pump suction height more than three meters.

The pump should be replaced definitely comfortable position as the cooling fans take place behind the motor. Otherwise, it will cause the motor overheats and malfunction appears.

For pump suction lines, the max. speed 1,5 m/ sn, for compression lines max. speed 2,5 m/ sn.



A photograph of a swimming pool with blue mosaic tiles. The pool features a curved staircase with three steps leading into the water. The pool is viewed through a glass railing with black metal posts. In the background, there is a building with large white-framed windows and a green lawn with stone steps. A green banner is overlaid on the left side of the image.

www.atlasgruphavuz.com



Atlaspool



SAND FILTERS



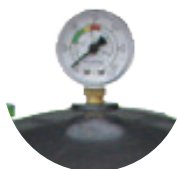
CANADA MODEL SIDE MOUNTED Made in Turkey



**POLYESTER SAND FILTERS
CANADA MODEL**

Code	Ø(mm)	Description	Flow Q(m³/h)	Connection	Kg/piece	Package Size	Price (€)
ATS FLT001	500	Polyester Sand Filter	10,00	D 50	15,00	0,50x0,50x0,65	250,00 €
ATS FLT002	620	Polyester Sand Filter	15,00	D 50	20,00	0,65x0,65x0,77	300,00 €
ATS FLT003	760	Polyester Sand Filter	22,00	D 63	31,00	0,76x0,76x0,90	450,00 €
ATS FLT004	920	Polyester Sand Filter	30,00	D 63	38,00	0,92x0,92x1,00	550,00 €

The sand filters are manufactured with monobloc polyester resin and fibreglass with boltless lid and polypropylene base. Equipped with pressure gauge, water drainage plug, and multiport valve. Side Model .Prices include multiport valves , exclude sand.



It is tested at 3 bar

**CANADA MODEL WITH COMMERCIAL TYPE
(FLANGED CONNECTION)**

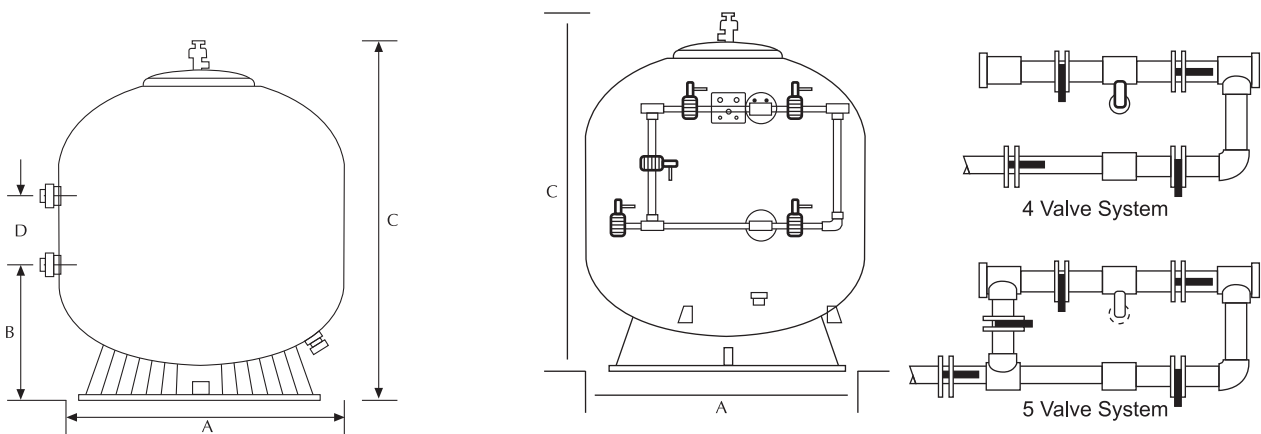
Code	Ø(mm)	Description	Filtration Velocity (m³/h/m²)			Connection	Kg/piece	Price (€)
			30	40	50			
ATS FLT005	1050	Polyester Sand Filter	25 m³	34 m³	43 m³	D 90	74,00	800,00 €
ATS FLT006	1250	Polyester Sand Filter	33 m³	45 m³	56 m³	D 90	105,00	1.150,00 €
ATS FLT007	1400	Polyester Sand Filter	45 m³	60 m³	80 m³	D 110	180,00	1.600,00 €
ATS FLT008	1600	Polyester Sand Filter	60 m³	80 m³	100 m³	D 110-125	208,00	1.830,00 €
ATS FLT009	2000	Polyester Sand Filter	94 m³	125 m³	157 m³	D 160	320,00	3.500,00 €

The sand filters are manufactured with monobloc polyester resin and fibreglass with boltless lid and polypropylene base. Equipped with pressure gauge, water drainage plug, and multiport valve. Side Model .Prices exclude multiport valves and sand.



**CANADA MODEL SAND FILTERS
TECHNICAL DIMENSIONS**

Code	A	B	C	D	Filter Bed (m ²)	Fine Sand (kg)	Medium Sand (kg)	Thick Sand (kg)	Total Weight of Sand (kg)
ATS FLT001	50 cm	22 cm	70 cm	12 cm	0,197	50 kg	25 kg	-	75 kg
ATS FLT002	62 cm	25 cm	79 cm	13 cm	0,303	100 kg	50 kg	-	150 kg
ATS FLT003	76 cm	26 cm	92,5 cm	17 cm	0,454	225 kg	125 kg	-	350 kg
ATS FLT004	92 cm	31,5 cm	103,5 cm	20 cm	0,665	300 kg	150 kg	-	450 kg
ATS FLT005	105 cm	45 cm	115 cm	19,5 cm	0,866	400 kg	200 kg	150 kg	750 kg
ATS FLT006	125 cm	52 cm	143 cm	-	1,227	500 kg	200 kg	200 kg	900 kg
ATS FLT007	140 cm	66 cm	160 cm	-	1,099	625 kg	625 kg	550 kg	1800 kg
ATS FLT008	160 cm	70,5 cm	185 cm	-	2,000	1550 kg	1000 kg	950 kg	3500 kg
ATS FLT009	200 cm	85 cm	203 cm	-	3,140	1700 kg	1300 kg	1000 kg	4000 kg



CANADA MODEL SIDE MOUNTED

Made in Turkey



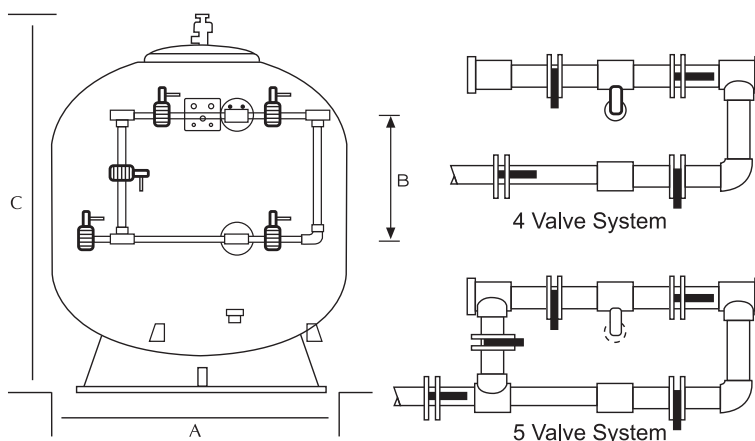
**CANADA MODEL WITH COMMERCIAL TYPE
(FLANGED CONNECTION) / OZONE RESISTANT**

Code	Description	50 (m ³ /h /m ²)	Connection	Kg / Pcs	Pcs / Box	Price (€)
ATS FLT019	1250 mm Polyester Sand Filter	56 m ³	90	-	1 Pcs	1.650,00 €
ATS FLT020	1600 mm Polyester Sand Filter	100 m ³	110-125	-	1 Pcs	2.800,00 €
ATS FLT021	2000 mm Polyester Sand Filter	157 m ³	160	-	1 Pcs	5.300,00 €

The sand filters are manufactured with monobloc polyester resin and fibreglass with boltless lid and polypropylene base. Equipped with pressure gauge, water drainage plug, and multiport valve. Side Mount .Prices exclude multiport valves and sand.

**SAND FILTER
TECHNICAL DIMENSIONS**

Code	A cm	B cm	C cm	Filter Bed (m ²)	Fine Sand (kg)	Medium Sand (kg)	Thick Sand (kg)	Total Weight of Sand (kg)
ATS FLT019	125 cm	52	143 cm	1,227	400 kg	200 kg	200 kg	800 kg
ATS FLT020	160 cm	70,5 cm	185 cm	2,000	1400 kg	1000 kg	600 kg	3000 kg
ATS FLT021	200 cm	85 cm	203 cm	3,140	1500 kg	1200 kg	800 kg	3500 kg





Made in Turkey

CANADA MODEL TOP MOUNTED



POLYESTER SAND FILTERS CANADA MODEL

Code	Ø(mm)	Description	Flow Q(m³/h)	Connection	Kg/piece	Package Size	Price (€)
ATS FLT050	500	Polyester Sand Filter	10,00	D 50	15,00	0,50x0,50x0,65	350,00 €
ATS FLT051	620	Polyester Sand Filter	15,00	D 50	20,00	0,65x0,65x0,77	400,00 €
ATS FLT052	760	Polyester Sand Filter	22,00	D 63	31,00	0,76x0,76x0,90	550,00 €
ATS FLT053	920	Polyester Sand Filter	30,00	D 63	38,00	0,92x0,92x1,00	650,00 €

The sand filters are manufactured with monobloc polyester resin and fibreglass with boltless lid and polypropylene base. Equipped with pressure gauge, water drainage plug, and multiport valve. Top Mounted Model. Prices include multiport valves, exclude sand.

Code	A	B	C	Filter Bed (m2)	Fine Sand (kg)	Medium Sand (kg)	Thick Sand (kg)	Total Weight of Sand (kg)
ATS FLT050	60 cm	81,3 cm	50 cm	0,197	50 kg	25 kg	-	75 kg
ATS FLT051	69 cm	90,30 cm	62 cm	0,303	100 kg	50 kg	-	150 kg
ATS FLT052	82,50 cm	109 cm	76 cm	0,454	225 kg	125 kg	-	350 kg
ATS FLT053	94 cm	120,2 cm	92 cm	0,665	300 kg	150 kg	-	450 kg

PLASTIC FILTERS

Made in Turkey



ECOSTAR PLASTIC SAND FILTERS



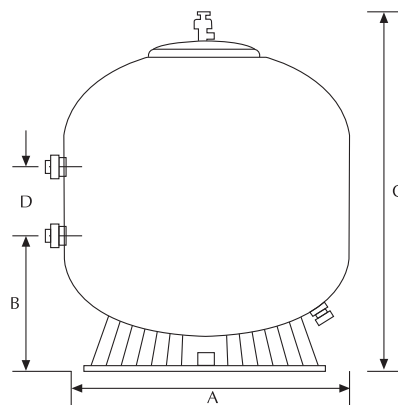
TESTED UNDER 3 BAR

Code	Ø(mm)	Description	Flow Q(m³/h)	Connection	Kg/piece	Package Size	Pcs / Box	Price (€)
PLS 0420	420	Plastic Filter	9,00	D 50	10,45	0,42x0,42x0,55	1 Piece	160,00 €
PLS 0500	500	Plastic Filter	10,00	D 50	12,95	0,50x0,50x0,65	1 Piece	180,00 €
PLS 0620	620	Plastic Filter	15,00	D 50	21,00	0,65x0,65x0,77	1 Piece	220,00 €
PLS 0760	760	Plastic Filter	22,00	D 63	32,00	0,76x0,76x0,91	1 Piece	295,00 €
PLS 0920	920	Plastic Filter	30,00	D 63	44,50	0,92x0,92x1,00	1 Piece	425,00 €

Mono block polyethylen body of sand filter is fortified by plastic.
Valve is connected to the side of the filter.
Prices include multiport valves, exclude sand.

SAND FILTER TECHNICAL DIMENSIONS

Code	A	B	C	D	Filter Bed (m2)	Fine Sand (kg)	Medium Sand (kg)	Thick Sand (kg)	Total Weight of Sand (kg)
PLS 0420	42 cm	19 cm	58 cm	12,5 cm	0,197	25 kg	25 kg	-	50 kg
PLS 0500	50 cm	24,5 cm	68 cm	12,5 cm	0,197	50 kg	25 kg	-	75 kg
PLS 0620	65 cm	27,5 cm	77 cm	13,5 cm	0,303	100 kg	50 kg	-	150 kg
PLS 0760	80 cm	37 cm	96 cm	16 cm	0,454	225 kg	125 kg	-	350 kg
PLS 0920	95 cm	42 cm	107 cm	20 cm	0,665	300 kg	150 kg	-	450 kg



PRAHER ABS MULTIPORT VALVES

Code	Description	Package Size	Kg/piece	Price (€)
ATS FLT022	50-1 ½" Side Mount Multiport Valve Glued	0,20x0,24x0,19	1,60	80,00 €
ATS FLT023	63-2" Side Mount Multiport Valve Glued	0,26x0,28x0,24	2,70	90,00 €
ATS FLT024	63-2" Side Mount Multiport Valve-Threaded	0,26x0,28x0,24	2,70	95,00 €
ATS FLT025	75-2 ½" Side Mount Multiport Valve-Threaded-Glued	0,34x0,30x0,44	7,00	300,00 €
ATS FLT026	90-3" Side Mount Multiport Valve-Threaded -Glued	0,40x0,30x0,44	8,00	549,00 €
ATS FLT027	110-4" Side Mount Multiport Valve-Threaded	0,50x0,40x0,55	18,00	1.988,00 €



FILTRATION - QUARTZ SAND

Code	Description	Package Size	Kg/piece	Price €/kg
ATS FLT028	QUARTZ SAND 0,7-1,5 MM FINE	0,48x0,39x0,10	25	0,26 €
ATS FLT029	QUARTZ SAND 1,5-3,0 MM MEDIUM	0,48x0,39x0,10	25	0,26 €
ATS FLT030	QUARTZ SAND 3,0-5,0 MM THICK	0,48x0,39x0,10	25	0,26 €
ATS FLT055	GLASS MEDIA SAND	0,48x0,39x0,10	25	1,80 €



FILTER - ACCESSORIES

Code	Description	Package Size	Price (€)
ATS FLT031	3 BAR GAUGE	1 Adet	14,00 €
ATS FLT032	4 BAR GAUGE	1 Adet	18,00 €
ATS FLT033	AIR VENT	1 Adet	3,00 €
ATS FLT034	Filter Lid (500-920)	1 Adet	22,00 €
ATS FLT035	Filter Lid O - Ring (Plastic Gasget)	1 Adet	9,00 €
ATS FLT036	Plastic Manometer Purge Kit	1 Adet	20,00 €





MADE IN TURKEY

NORM COMMERCIAL SAND FILTERS





Made in Turkey

NORM COMMERCIAL SAND FILTERS

NORM MODEL SAND FILTERS

Code	Ø(mm)	Description	Volume m ³	Kg / Piece	Price (€)
ATS ÇKTFLT500	500	Norm Sand Filter	0,403	32,00	800,00 €
ATS ÇKTFLT620	620	Norm Sand Filter	0,584	37,00	890,00 €
ATS ÇKTFLT760	760	Norm Sand Filter	0,852	60,00	1.100,00 €
ATS ÇKTFLT920	920	Norm Sand Filter	1,420	85,00	1.350,00 €

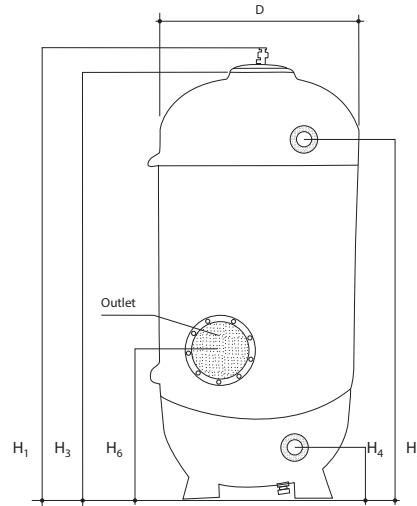
Made of CTP : Included in Multiport Valves, Fittings
Manometer and Purger

Internal Structure : With Tableless Octopus Fountain ;
2 Year Warranty

Maximum Filtration Velocity : With Monolayer
(Quartz sand)- 35 m³/h/m²
With Multiple Layers

(Quartz sand, anthracite-zeolite) - 50 m³/h/m²

Filtration Depth : 1 mt



TECHNICAL SPECIFICATIONS

Model	ÇKTFLT 500	ÇKTFLT 620	ÇKTFLT 760	ÇKTFLT 920
D (mm)	500	620	760	920
H ₁ (mm)	1545	1525	1690	1765
H ₂ (mm)	-	-	-	-
H ₃ (mm)	1430	1410	1575	1650
H ₄ (mm)	605	590	690	700
H ₅ (mm)	735	720	815	825
H ₆ (mm)	580	630	565	715
H ₇ (mm)	-	-	-	-
W (mm)	-	-	-	-
W1 (mm)	-	-	-	-
Connection Ø	1 1/2"	1 1/2"	2"	2"
Flow (m ³ /h) (40m ³ /h/m ²)	8	12	16	25
Anthracite 0,8-1,6 mm (lt)	150,000	200,000	250,000	470,000
Quartz Sand 0,5-1 mm (kg)	150,000	200,000	250,000	470,000
Quartz Sand 1-3 mm (kg)	100,000	150,000	215,000	420,000
Net Weight (kg)	30,000	35,200	55,00	78,500



A night view of a swimming pool with illuminated water jets and a central fountain, overlooking a city skyline. The pool is illuminated with blue lights, and the water jets are glowing with a mix of blue and purple light. The central fountain is a large, ornate vase containing a plant, with water spraying upwards. The background shows a city skyline with lights under a twilight sky.

www.atlasgruphavuz.com



Atlaspool



UNDERWATER LIGHTS



300W/12V HALOGEN LIGHT WITH NICHE

Code	Description	Power (W)	Package Size	Kg/piece	Price (€)
ATS HIA001	Light with Niche - Day Light	300	0,29x0,29x0,19	2,55	35,00 €
ATS HIA002	Light without Niche	300	0,29x0,29x0,19	2,00	29,00 €
ATS HIA003	Niche	-		0,55	8,00 €
ATS HIA004	Light Guts only no Niche-no cable-no bulb	-	0,29x0,29x0,19	1,00	15,00 €
ATS HIA052	Light Guts only no cable-no bulb	-	0,29x0,29x0,19	1,50	22,00 €
ATS HIA005	Light with Niche (Liner)	300	0,29x0,29x0,19	2,60	55,00 €

Pool Lighting Armature with Plastic Body and Niche, 300W/12V .



15-18-24W/12V LED LIGHT WITH NICHE (ALUMINIUM BODY & AIR COOLING SYSTEM)

Code	Description	Power (W)	Package Size	Kg/piece	Price (€)
ATS HIA006	Led Light with Niche - White	18	0,29x0,29x0,19	2,60	120,00 €
ATS HIA007	Led Light with Niche - Daylight	18	0,29x0,29x0,19	2,60	120,00 €
ATS HIA008	Led Light with Niche - Blue	15	0,29x0,29x0,19	2,60	126,00 €
ATS HIA009	Led Light with Niche-RGB with 2 Cables	24	0,29x0,29x0,19	2,70	162,00 €
ATS HIA010	Led Light with Niche-RGB with 4 Cables	24	0,29x0,29x0,19	2,70	142,00 €
ATS HIA006-L	Liner Led Light with Niche - White	18	0,29x0,29x0,19	2,60	156,00 €
ATS HIA009-L	Liner Led Light with Niche-RGB with 2 Cables	24	0,29x0,29x0,19	2,70	198,00 €
ATS HIA010-L	Liner Led Light with Niche-RGB with 4 Cables	24	0,29x0,29x0,19	2,70	178,00 €

Lighting Armature with Plastic Body , 15-18-24W/12V Niche Type.
If required LED Lights without recess , will be deducted 6 € from price list.



100W/12V HALOGEN LIGHT FLAT TYPE

Code	Description	Power (W)	Package Size	Kg/piece	Price (€)
ATS HIA011	Flat Lamp 100W/12V	100	0,31x0,31x0,11	1,55	44,00 €

Underwater Pool Lighting Armature with plastic body, 100W/12V halogen bulb, flat type.



15-18-24 W/12V LED LIGHT FLAT TYPE

Code	Description	Power (W)	Package Size	Kg/piece	Price (€)
ATS HIA012	Led Light Flat Type - White	18	0,26x0,26x0,05	1,15	110,00 €
ATS HIA013	Led Light Flat Type - Daylight	18	0,26x0,26x0,05	1,15	110,00 €
ATS HIA014	Led Light Flat Type - Blue	15	0,26x0,26x0,05	1,15	116,00 €
ATS HIA015	Led Light Flat Type - RGB With 4 Cables	24	0,26x0,26x0,05	1,25	131,00 €
ATS HIA051	Led Light Flat Type - RGB with 2 Cables	24	0,26x0,26x0,05	1,25	151,00 €

Pool LED Lighting Armature with plastic body , 15-18-24W/12V , flat type.

15-18W/12V LED LIGHT WITH NICHE ECONOMIC MODEL LED LIGHT WITH NICHE (PLASTIC BODY)



Code	Description	Power (W)	Package Size	Kg/piece	Price (€)
ATS HIA063	Eco Led Light with Niche - White	18	0,29x0,29x0,19	2,60	80,00 €
ATS HIA064	Eco Led Light with Niche - Daylight	18	0,29x0,29x0,19	2,60	80,00 €
ATS HIA065	Eco Led Light with Niche - Blue	15	0,29x0,29x0,19	2,60	90,00 €
ATS HIA063-L	Eco Liner Led Light with Niche - White	18	0,29x0,29x0,19	2,60	110,00 €
ATS HIA064-L	Eco Liner Led Light with Niche - Daylight	18	0,29x0,29x0,19	2,70	110,00 €
ATS HIA065-L	Eco Liner Led Light with Niche - Blue	15	0,29x0,29x0,19	2,70	120,00 €

Lighting Armature with Plastic Body , 15-18W/12V Niche Type.
If required LED Lights without recess , will be deducted 6 € from price list.

15-18 W/12V ECONOMIC LED LIGHT FLAT TYPE (PLASTIC BODY)



Code	Description	Power (W)	Package Size	Kg/piece	Price (€)
ATS HIA066	Eco Led Light Flat Type - White	18	0,26x0,26x0,05	1,15	80,00 €
ATS HIA067	Eco Led Light Flat Type - Daylight	18	0,26x0,26x0,05	1,15	80,00 €
ATS HIA068	Eco Led Light Flat Type - Blue	15	0,26x0,26x0,05	1,15	85,00 €

Pool LED Lighting Armature with plastic body , 15-18W/12V, flat type.

100-300W / 12V SPARE BULBS



Code	Description	Power (W)	Package Size	Kg/piece	Price (€)
ATS HIA019	Par 56 Bulb Economic	300	0,15x0,15x0,15	0,55	16,00 €
ATS HIA020	Halogen Bulb	100		0,55	9,00 €

15-18-24W / 12V LED BULB PAR 56 MODEL (ALUMINIUM BODY & AIR COOLING SYSTEM)



Code	Description	Power (W)	Package Size	Kg/piece	Price (€)
ATS HIA021	Led Bulb - White - 84 Leds	18	0,19x0,14x0,18	0,85	87,00 €
ATS HIA022	Led Bulb - Daylight - 84 Leds	18	0,19x0,14x0,18	0,85	87,00 €
ATS HIA023	Led Bulb - Blue - 270 Leds	15	0,19x0,14x0,18	0,85	94,00 €
ATS HIA024	Led Bulb - RGB with 2 cables - 150 Leds	24	0,19x0,14x0,18	0,85	130,00 €
ATS HIA025	Led Bulb - RGB with 4 cables - 150 Leds	24	0,19x0,14x0,18	0,85	110,00 €

The Bulbs can work without water.

18-36W / 12V ECONOMIC LED BULB (PLASTIC BODY)



Code	Description	Power (W)	Package Size	Kg/piece	Price (€)
ATS HIA069	Eco Led Bulb - White	18	0,19x0,14x0,18	0,85	60,00 €
ATS HIA070	Eco Led Bulb - Daylight	18	0,19x0,14x0,18	0,85	60,00 €
ATS HIA071	Eco Led Bulb - Blue	15	0,19x0,14x0,18	0,85	65,00 €



(12V) TRANSFORMERS

Code	Description	Power (W)	Package Size	Kg/piece	Price (€)
ATS HIA026	Transformers-DC	50	0,14x0,13x0,11	3,40	19,00 €
ATS HIA026-R	Transformers for RGB Light-DC	25	0,14x0,13x0,11	3,40	30,00 €
ATS HIA027	Transformers-DC	100	0,14x0,13x0,11	3,45	28,00 €
ATS HIA028	Transformers-DC	300	0,14x0,13x0,11	4,45	39,00 €
ATS HIA029	Transformers-DC	400	0,14x0,13x0,11	5,65	47,00 €
ATS HIA030	Transformers-DC	600	0,14x0,13x0,11	9,30	80,00 €



LIGHT NICHE BOX

Code	Description	Package Size	Kg/piece	Price (€)
ATS HIA052	Light Niche Concrete Box	0,15x0,15x0,15	0,55	35,00 €
ATS SNT002	Deck Box in ABS for Light Cable	0,15x0,15x0,15	0,35	20,00 €



CABLE AND CABLE SLEEVE

Code	Description	Package Size	Kg/piece	Price (€)
ATS HIA031	2 x 4 TTR Cable	0,36x0,36x0,20	19,00	2,50 €
ATS HIA032	2 x 6 TTR Cable	0,36x0,36x0,20	20,00	3,10 €
ATS HIA050	2 x 2,5 TTR Cable	0,36x0,36x0,20	18,00	2,50 €
ATS HIA033	4 x 2,5 TTR Cable	0,36x0,36x0,20	19,00	2,50 €
ATS HIA034	Lamp Cable Protection Sleeve	0,62x0,62x0,35	4,70	1,50 €

Not : Package size and weight are given for 100 mt.



ATS HIA152



ATS HIA036

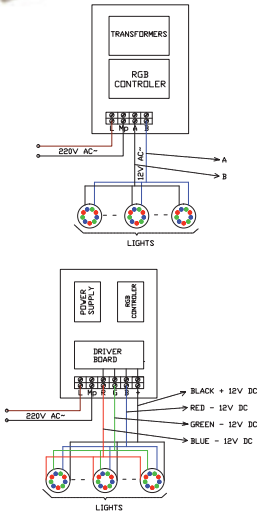
UNDERWATER LIGHTS



RGB CONTROL UNITS

Code	Description	Kg/piece	Price (€)
ATS HIA036	RGB Synchronization Box with Remote Control and Receiver Modulator - With 4 Cables - Max. 8 Lamps	-	85,00 €
ATS HIA152	RGB Synchronization Box with Remote Control and Receiver Modulator - With 2 Cables - Max. 12 Lamps	-	110,00 €
ATS HIA035	Modulator RGB Control Panel (For 2-4 Cores Cable) For 20 armatures Additional modulator (Additional modulator)	-	340,00 €
ATS HIA037	Extra RGB Control Panel (For 2-4 Cores Cable) For 40 armatures (Additional modulator)	-	270,00 €

RGB Synchronization Box with Remote Control and Receiver Modulator (Max for 8 armatures) With 2 Cables. Remote Control without Control Panel.



VILLA TYPE CONTROL PANELS

Code	Description	Package Size	Kg/piece	Price (€)
ATS HIA038	Monophase Villa Type Control Panel (1 Pump+5 Armatures)	0,22x0,30x0,12	1,40	70,00 €
ATS HIA039	Threephase Villa Type Control Panel (1 Pump+6 Armatures)	0,22x0,30x0,12	2,60	145,00 €

Up to 3 HP Pump

CONTROL PANELS WITH SIEMENS EQUIPMENTS

Code	Description	Package Size	Kg/piece	Price (€)
ATS HIA040	1 Pump - 1 Group With Armature (6 Armatures)	0,40x0,30x0,17	5,80	400,00 €
ATS HIA041	2 Pump - 2 Group With Armature (12 Armatures)	0,50x0,35x0,22	7,40	540,00 €
ATS HIA042	3 Pump - 3 Group With Armature (18 Armatures)		-	880,00 €
ATS HIA043	4 Pump - 4 Group With Armature (24 Armatures)		-	1.095,00 €
ATS HIA044	5 Pump - 5 Group With Armature (30 Armatures)		-	1.270,00 €

All used materials like W Automats ,Contactors,Thermics is Siemens. There is 1 phase protection relay. The outputs are made via rail terminals. Controls are provided by Pako switches. Pumps and lights have FAULT and WORK Signal lamps. The Leakage Current Protection.

ECONOMIC CONTROL PANELS

Code	Description	Package Size	Kg/piece	Price (€)
ATS HIA045	1 Pump - 1 Group With Armature (6 Armatures)	0,40x0,30x0,17	-	295,00 €
ATS HIA046	2 Pump - 2 Group With Armature (12 Armatures)	0,50x0,35x0,22	-	440,00 €
ATS HIA047	3 Pump - 3 Group With Armature (18 Armatures)		-	600,00 €
ATS HIA048	4 Pump - 4 Group With Armature (24 Armatures)		-	840,00 €
ATS HIA049	5 Pump - 5 Group With Armature (30 Armatures)		-	990,00 €

Included W Automat ,Contactor,Thermic and 1 phase protection relay. The outputs are made via rail terminals. Controls are provided by Pako switches. Pumps and lights have FAULT and WORK Signal lamps. The Leakage Current Protection.



Atlaspool



ATLASPOOL

RGB LED Technology With Remote Control

RGB



www.atlasgruphavuz.com

MADE IN TURKEY



ATLASPOOL FLAT TYPE LIGHT

- White
- Blue
- Daylight
- RGB



www.atlasgruphavuz.com

MADE IN TURKEY

Atlaspool

MADE IN TURKEY

POOL LIGHTING SYSTEMS



www.atlasgruphavuz.com

CE



Atlaspool



**POOL BASIN AND SIDE
EQUIPMENTS**

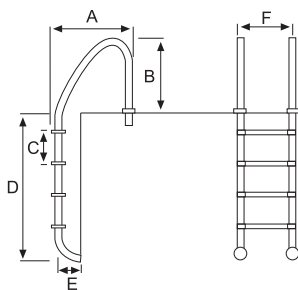


LADDERS STANDARD SERIE LADDER (AISI 304)



Code	Description	Package Size	Kg/piece	Price (€)
ATS HKE001	Standard Ladder with 2 Treads	0,66x1,38x0,06	10,00	163,00 €
ATS HKE002	Standard Ladder with 3 Treads	0,66x1,63x0,06	11,50	180,00 €
ATS HKE003	Standard Ladder with 4 Treads	0,66x1,88x0,06	13,50	205,00 €
ATS HKE004	Standard Ladder with 5 Treads	0,66x2,10x0,06	15,00	245,00 €

Made of stainless steel Ø43 mm pipe and anti-slip treads; separation between handrails 51 cm. Supplied with all necessary fittings for attachment. With plastic anchoring and stainless steel trims.



Treads	A	B	C	D	E	F
2	600	620	250	680	170	500
3	600	620	250	930	170	500
4	600	620	250	1180	170	500
5	600	620	250	1430	170	500

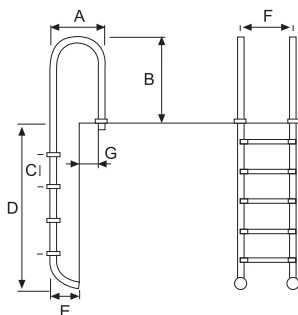


MURO SERIE LADDER (AISI 304)



Code	Description	Package Size	Kg/piece	Price (€)
ATS HKE005	Muro Ladder with 2 Treads	0,41x1,38x0,06	9,50	163,00 €
ATS HKE006	Muro Ladder with 3 Treads	0,41x1,60x0,06	10,50	180,00 €
ATS HKE007	Muro Ladder with 4 Treads	0,41x1,88x0,06	12,50	205,00 €
ATS HKE008	Muro Ladder with 5 Treads	0,41x2,13x0,06	14,00	245,00 €

Made of stainless steel Ø43 mm pipe and anti-slip treads; separation between handrails 51 cm. Supplied with all necessary fittings for attachment. With plastic anchoring and stainless steel trims.



Treads	A	B	C	D	E	F	G
2	350	620	250	710	170	500	200
3	350	620	250	960	170	500	200
4	350	620	250	1120	170	500	200
5	350	620	250	1460	170	500	200

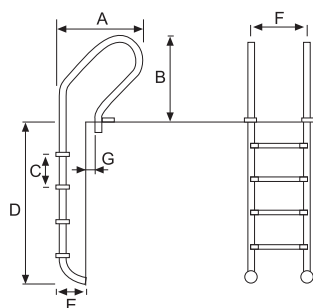


MIXTA SERIE LADDER (AISI 304)



Code	Description	Package Size	Kg/piece	Price (€)
ATS HKE009	Mixta Ladder with 2 Treads	0,66x1,38x0,06	10,00	165,00 €
ATS HKE010	Mixta Ladder with 3 Treads	0,66x1,63x0,06	11,50	191,00 €
ATS HKE011	Mixta Ladder with 4 Treads	0,66x1,88x0,06	13,50	217,00 €
ATS HKE012	Mixta Ladder with 5 Treads	0,66x2,10x0,06	15,00	279,00 €

Made of stainless steel Ø43 mm pipe and anti-slip treads; separation between handrails 51 cm. Supplied with all necessary fittings for attachment. With plastic anchoring and stainless steel trims.



Treads	A	B	C	D	E	F	G
2	600	620	250	680	170	500	280
3	600	620	250	930	170	500	280
4	600	620	250	1180	170	500	280
5	600	620	250	1430	170	500	280

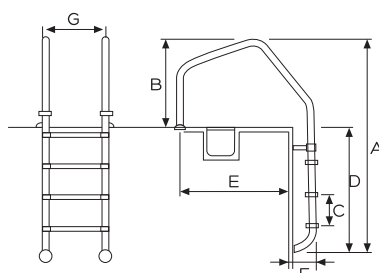


OPEN TYPE LADDER WITH FLANGE CONNECTION (AISI 304)



Code	Description	Package Size	Kg/piece	Price (€)
ATS HKE013	Open Type Ladder with 2 Treads	1,13x1,53x0,06	12,50	290,00 €
ATS HKE014	Open Type Ladder with 3 Treads	-	13,00	304,00 €
ATS HKE015	Open Type Ladder with 4 Treads	1,13x2,03x0,06	15,00	345,00 €
ATS HKE016	Open Type Ladder with 5 Treads	-	17,50	365,00 €

Made of stainless steel Ø43 mm pipe and anti-slip treads; separation between handrails 100 cm. Supplied with all necessary fittings for attachment. With plastic anchoring and stainless steel trims.



Treads	A	B	C	D	E	F	G
2	1390	680	250	710	842	180	500
3	1640	680	250	960	842	180	500
4	1890	680	250	1210	842	180	500
5	2140	680	250	1460	842	180	500



LADDERS STANDARD SERIE LADDER (AISI 316)



Code	Description	Package Size	Kg/piece	Price (€)
ATS HKE017	Standard Ladder with 2 Treads	0,66x1,38x0,10	10,00	320,00 €
ATS HKE018	Standard Ladder with 3 Treads	0,66x1,63x0,10	11,50	375,00 €
ATS HKE019	Standard Ladder with 4 Treads	0,66x1,88x0,10	13,50	425,00 €
ATS HKE020	Standard Ladder with 5 Treads	0,66x2,13x0,10	15,00	475,00 €

Made of stainless steel Ø43 mm pipe and anti-slip treads; separation between handrails 51 cm. Supplied with all necessary fittings for attachment. With plastic anchoring and stainless steel trims.



MURO SERIE LADDER (AISI 316)



Code	Description	Package Size	Kg/piece	Price (€)
ATS HKE021	Muro Ladder with 2 Treads	0,45x1,38x0,10	9,50	320,00 €
ATS HKE022	Muro Ladder with 3 Treads	0,45x1,63x0,10	10,50	375,00 €
ATS HKE023	Muro Ladder with 4 Treads	0,45x1,88x0,10	12,50	425,00 €
ATS HKE024	Muro Ladder with 5 Treads	0,45x2,13x0,10	14,00	475,00 €

Made of stainless steel Ø43 mm pipe and anti-slip treads; separation between handrails 51 cm. Supplied with all necessary fittings for attachment. With plastic anchoring and stainless steel trims.

LADDER SPARE PARTS



Code	Description	Kg/piece	Price (€)
ATS HKE025	Ladder Step - Stainless Steel	-	35,00 €
ATS HKE026	Ladder Step - Plastic	-	16,50 €
ATS HKE027	Ladder Rubber Bumper	-	5,50 €
ATS HKE028	Ladder Anchor	-	10,00 €
ATS HKE029	Ladder Escutcheon (Mirror 105 mm)	-	10,00 €



SHOWERS (AISI 304)



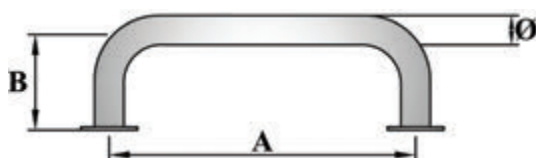
Code	Description	Kg/piece	Price (€)
ATS HKE030	Standard Single Shower 43 mm 1/2 Connection	5,00	370,00 €
ATS HKE031	Standard Double Shower 43 mm 1/2 Connection	8,00	1.150,00 €
ATS HKE032	Shower with Foot-Bath 43 mm 1/2 Connection	8,00	421,00 €
ATS HKE033	Quartet Automatic Shower 120x120 mm 3/4 Connection	20,00	3.320,00 €
ATS HKE034	Solar Shower - 25lt. Capacity 1/2 Connection	14,70	1.110,00 €
ATS HKE035	Solar Shower - 30lt. Capacity 1/2 Connection	40,00	1.175,00 €

STAINLESS STEEL HANDRAILS



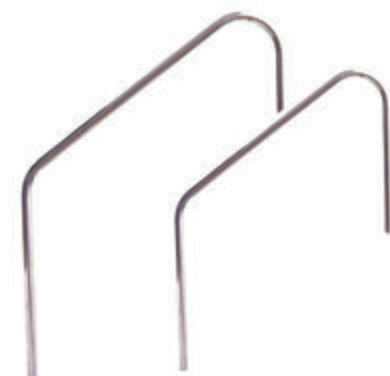
Code	Description	Kg/piece	Price (€)
ATS HKE036	0,5 mt Handrail	1,20	77,00 €
ATS HKE037	1,0 mt Handrail	1,70	89,00 €
ATS HKE038	1,5 mt Handrail	2,30	109,00 €
ATS HKE039	2,0 mt Handrail	2,80	128,00 €
ATS HKE040	2,5 mt Handrail	3,30	140,00 €

Made of AISI 304 Quality , Ø42 mm x 1,5 mm stainless steel pipe.



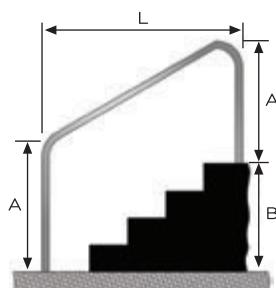
Code	A	B	C
ATS HKE036	50 cm	12 cm	43 cm
ATS HKE037	100 cm	12 cm	43 cm
ATS HKE038	150 cm	12 cm	43 cm
ATS HKE039	200 cm	12 cm	43 cm
ATS HKE040	250 cm	12 cm	43 cm

HANDRAILS



Code	Description	Kg/piece	Price (€)
ATS HKE041	Big Type Handrail	9,20	320,00 €
ATS HKE042	Small Type Handrail	8,20	287,00 €

Made of AISI 304 Quality , Ø42 mm x 1,5 mm stainless steel pipe.



Code	A	B	L	Ø
ATS HKE041	800 mm	855 mm	1525 mm	43 mm
ATS HKE042	800 mm	680 mm	1220 mm	43 mm



PP SINGLE SPINE GRATINGS

Code	Description	Model	Package Size	Kg/piece	Price (€)/mt
ATS HKE043	15 cm Single Spine Grating	T	0,25x0,31x0,51	11,00	7,00 €
ATS HKE044	20 cm Single Spine Grating	I-T	0,25x0,41x0,41	13,00	8,00 €
ATS HKE045	25 cm Single Spine Grating	I	0,25x0,51x0,51	17,00	9,00 €

Pool overflow grating - Single Spine Grating is made of plastic .



PP DOUBLE SPINE GRATINGS

Code	Description	Model	Package Size	Kg/piece	Price (€)/mt
ATS HKE046	20 cm Double Spine Grating	T	0,25x0,41x0,41	17,00	10,00 €
ATS HKE047	20 cm Double Spine Grating	I	0,25x0,41x0,41	15,00	9,00 €
ATS HKE048	25 cm Double Spine Grating	I	0,25x0,51x0,51	20,00	10,00 €
ATS HKE049	30 cm Double Spine Grating	I	0,25x0,31x0,51	11,00	15,00 €

Pool overflow grating - Double Spine Grating is made of plastic .



PP WAVY DOUBLE SPINE GRATINGS

Code	Description	Model	Package Size	Kg/piece	Price (€)/mt
ATS HKE050	19,5 cm Double Spine Grating	Wavy	0,25x0,41x0,41	17,00	11,10 €
ATS HKE051	24,5 cm Double Spine Grating	Wavy	0,25x0,41x0,51	23,00	13,70 €

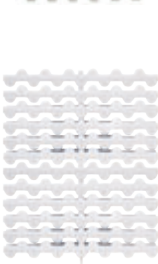
Pool overflow wavy grating - Double Spine Grating is made of plastic .



PP GRIFT SINGLE SPINE GRATINGS

Code	Description	Model	Package Size	Kg/piece	Price (€)/mt
ATS HKE052	19,5 cm Single Spine Grating	Grift	0,25x0,41x0,41	16,30	8,40 €
ATS HKE053	24,5 cm Single Spine Grating	Grift	0,25x0,51x0,51	22,00	10,50 €

Pool overflow grift grating - Single Spine Grating is made of plastic .



PP MODULAR SPINE GRATINGS

Code	Description	Model	Package Size	Kg/piece	Price (€)/mt
ATS HKE150	19,5 cm Modular Spine Grating	Rainy	0,25x0,41x0,41	17,00	14,00 €
ATS HKE151	24,5 cm Modular Spine Grating	Rainy	0,25x0,41x0,51	23,00	16,00 €

Pool overflow wavy grating - Modular Spine Grating is made of plastic .



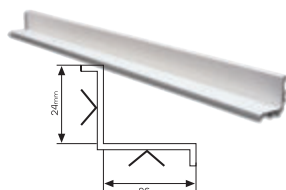
PP STANDARD SPINE GRATINGS

Code	Description	Model	Package Size	Kg/piece	Price (€)/mt
ATS HKE152	19,5 cm Standard Spine Grating	Flat	0,25x0,41x0,41	17,00	12,00 €
ATS HKE153	24,5 cm Standard Spine Grating	Flat	0,25x0,41x0,51	23,00	15,00 €

Pool overflow wavy grating - Standard Spine Grating is made of plastic .

OVERFLOW GRATING EDGE PROFILE

Code	Description	In Box / mt	Kg/piece	Price (€)/mt
ATS HKE054	24X26 Grating Edge Profile - Lenght 2 mt	100 mt	25,00	1,00 €



U-PVC DOUBLE SPINE GRATINGS (PLAIN TYPE)



Code	Description	h (mm)	In Box / mt	Price (€)/mt
ATS HKE055	110 mm x 140 mm	24	5	10,00 €
ATS HKE056	141 mm x 190 mm	24	5	12,50 €
ATS HKE057	191 mm x 240 mm	24	5	15,50 €
ATS HKE058	241 mm x 290 mm	24	5	16,50 €
ATS HKE059	291 mm x 340 mm	24	5	25,50 €
ATS HKE060	341 mm x 390 mm	24	5	30,50 €
ATS HKE061	391 mm x 440 mm	24	5	35,00 €
ATS HKE062	441 mm x 490 mm	24	5	40,00 €
ATS HKE063	1000 mm x 1000 mm	24	5	100,00 €



U-PVC Hand-made from profile



Ask for availability in stock

U-PVC SINGLE SPINE GRATINGS



Code	Description	h (mm)	In Box / mt	Price (€)/mt
ATS HKE064	110 mm x 140 mm	24	5	9,00 €
ATS HKE065	141 mm x 190 mm	24	5	11,50 €
ATS HKE066	191 mm x 240 mm	24	5	14,50 €
ATS HKE067	241 mm x 290 mm	24	5	15,50 €
ATS HKE068	291 mm x 340 mm	24	5	24,50 €
ATS HKE069	341 mm x 390 mm	24	5	29,50 €
ATS HKE070	391 mm x 440 mm	24	5	34,00 €
ATS HKE071	441 mm x 490 mm	24	5	39,00 €
ATS HKE072	1000 mm x 1000 mm	24	5	100,00 €



U-PVC Hand-made from profile



Ask for availability in stock

PP 45° - 90° CORNER PART



Code	Description	h (mm)	Kg/pcs	Price (€)/Pcs
ATS HKE073	15 cm 45° Corner Part	145	0,10	7,00 €
ATS HKE074	15 cm 90° Corner Part	145	0,15	7,00 €
ATS HKE075	20 cm 45° Corner Part	195	0,20	8,00 €
ATS HKE076	20 cm 90° Corner Part	195	0,25	8,00 €
ATS HKE077	25 cm 45° Corner Part	245	0,45	9,00 €
ATS HKE078	25 cm 90° Corner Part	245	0,50	9,00 €
ATS HKE079	30 cm 45° Corner Part	300	0,60	25,00 €
ATS HKE080	30 cm 90° Corner Part	300	0,65	25,00 €



SQUARE MAIN DRAIN (ABS)

Code	Description	Kg/piece	Price (€)
ATS HKE081	200x200 Square Main Drain	0,50	10,00 €
ATS HKE082	250x250 Square Main Drain	0,86	12,00 €
ATS HKE154	300x300 Square Main Drain	1,20	16,00 €
ATS HKE083	410x410 Square Main Drain	1,60	80,00 €



SQUARE INOX MAIN DRAIN



Code	Description	Kg/piece	Price (€)
ATS HKE086	250x250 Square Main Drain	1,80	113,00 €
ATS HKE087	300x300 Square Main Drain	2,30	133,00 €
ATS HKE088	400x400 Square Main Drain	3,40	186,00 €
ATS HKE089	450x450 Square Main Drain	4,60	200,00 €
ATS HKE090	500x500 Square Main Drain	5,30	233,00 €
ATS HKE091	600x600 Square Main Drain	6,80	267,00 €
ATS HKE092	700x700 Square Main Drain	7,40	333,00 €

Can be produced of AISI 316 stainless steel if required. Price will increase more 20%.



ROUND MAIN DRAIN (ABS)

Code	Description	Kg/piece	Price (€)
ATS HKE093	Round Main Drain Ø50-63	0,85	18,00 €
ATS HKE094	Round Main Drain (Liner) Ø50-63	1,00	28,00 €



SQUARE BOTTOM DRAIN (ABS)

Code	Description	Kg/piece	Price (€)
ATS HKE095	Ø63 Square Bottom Drain	1,40	21,50 €
ATS HKE096	Ø75 Square Bottom Drain	1,25	21,50 €
ATS HKE097	Ø90 Square Bottom Drain	1,35	21,50 €



OVERFLOW GUTTER DRAIN (ABS)

Code	Description	Kg/piece	Price (€)
ATS SNT001	Owerflow Gutter Drain		20,00 €



WALL SIDE INLET NOZZLE (ABS)

Code	Description	Kg/piece	Price (€)
ATS HKE098	Wall Inlet Nozzle Ø63	0,10	2,00 €
ATS HKE099	Wall Inlet Nozzle (Liner) Ø63	0,19	17,00 €
ATS HKE100	Wall Inlet Nozzle Ø50	0,15	4,80 €
ATS HKE155	Wall Inlet Nozzle Threaded Ø63	0,15	5,48 €



MULTI FLOW ADJUSTABLE BOTTOM INLET NOZZLE-ABS

Code	Description	Kg/piece	Price (€)
ATS HKE101	Bottom Inlet Nozzle Multi-Flow Adjustable Ø63	0,15	2,50 €
ATS HKE102	Bottom Inlet Nozzle Multi-Flow Adjustable (Liner) Ø63	0,20	20,00 €
ATS HKE103	Bottom Inlet Nozzle Multi-Flow Adjustable Ø50	0,15	6,80 €
ATS HKE156	Bottom Inlet Nozzle Threaded Ø63	0,15	8,50 €



VACUUM NOZZLE (ABS)

Code	Description	Kg/piece	Price (€)
ATS HKE104	Vacuum Nozzle Ø63	0,10	2,00 €
ATS HKE105	Vacuum Nozzle (Liner) Ø63	0,19	17,00 €
ATS HKE106	Vacuum Nozzle Ø50	0,15	4,80 €
ATS HKE157	Vacuum Inlet Nozzle Threaded Ø63	0,15	5,48 €



BOTTOM INLET NOZZLE (ABS)

Code	Description	Kg/piece	Price (€)
ATS HKE107	Bottom Inlet Nozzle Ø63	0,10	2,50 €



CONCRETE WALL CONDUIT (ABS)

Code	Description	Kg/piece	Price (€)
ATS HKE108	Concrete Wall Conduit - Threaded	0,40	8,00 €
ATS HKE109	Concrete Wall Conduit - Glued	0,40	7,50 €

Made of ABS, Pipe connection side Ø63 external, Ø50 internal glued.
L = 30 cm In front of it has screw slots and holes to be installed on the pool wall mold.



MINI SKIMMER

Code	Description	Package Size	Kg/piece	Price (€)
ATS HKE110	Mini Skimmer - 1 ½	0,24x0,22x0,33	2,60	35,00 €

Made of ABS ,Pipe connection side Ø63 external , Ø50 internal glued.
L = 30 cm In front of it has screw slots and holes to be installed on the pool wall mold .



ABS STANDARD SKIMMER

Code	Description	Package Size	Kg/piece	Price (€)
ATS HKE111	Square Frame Skimmer - 2"	0,42x0,40x0,27	3,50	44,00 €
ATS HKE112	Square Frame Skimmer (Liner)	0,42x0,40x0,27	3,85	79,00 €

Bottom drain connections 2" made of ABS,included in basket and floating lid.



ABS WIDE MOUTH SKIMMER

Code	Description	Package Size	Kg/piece	Price (€)
ATS HKE113	Square Frame Wide Mouth Skimmer	0,41x0,60x0,46	4,80	80,00 €
ATS HKE114	Square Frame Wide Mouth Skimmer (Liner)	0,41x0,60x0,46	5,50	115,00 €

Bottom drain connections 2" made of ABS,included in basket and floating lid.



OVERFLOW DRAINER

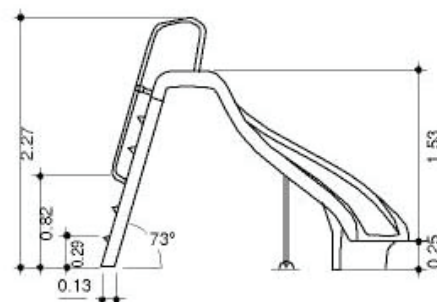
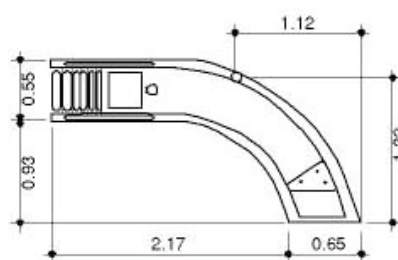
Code	Description	Kg/piece	Price (€)
ATS HKE115	Stainless Steel Drainer -63	-	22,00 €
ATS HKE116	Stainless Steel Drainer -75	-	24,00 €
ATS HKE117	Stainless Steel Drainer -90	-	27,50 €
ATS HKE118	Stainless Steel Drainer -110	-	29,00 €
ATS HKE119	Plastic Drainer -up to 110 pipe	-	10,00 €



RIGHT CURVED SLIDE

Code	Description	Length	Kg/piece	Price (€)
ATS HKE121	Right Curved Slide	3,55 mt	83,00	1.500,00 €

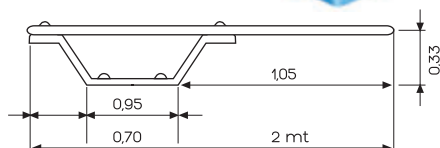
Polyester and fiberglass reinforced with polyester step, stainless steel handrail, Complete with stainless steel supports and ladder in Light Blue Colour Slide.



FLAT SPRINGBOARD

Code	Description	Length	Kg/piece	Price (€)
ATS HKE122	Flat Springboard / Width 0,39	2,00 mt	29,00	530,00 €
ATS HKE123	Flat Springboard / Width 0,39	4,00 mt	50,00	1.200,00 €

Made of polyester and fiberglass in light blue colour with polyester leg .



MUSHROOM WATERFALLS

Code	Description	Kg/piece	Price (€)
ATS HKE124	2000 mm Diameter Mushroom Waterfall 150m ³ /h-6"	-	2.400,00 €
ATS HKE125	1600 mm Diameter Mushroom Waterfall 80m ³ /h-4"	-	1.842,00 €
ATS HKE126	1000 mm Diameter Mushroom Waterfall 40m ³ /h-2 1/2"	-	1.160,00 €

Made of polyester and fiberglass, excluding mushroom leg.



DISINFECTION POOL FOR FEET

Code	Description	Length	Kg/piece	Price (€)
ATS HKE127	Disinfection Pool for foot	50x35x10cm	1,50	55,00 €
ATS HKE128	Disinfection Pool for foot	70x45x10cm	2,90	80,00 €
ATS HKE129	Disinfection Pool for foot	80x50x12cm	3,70	95,00 €
ATS HKE130	Disinfection Pool for foot	120x70x12cm	5,00	125,00 €



Atlaspool

POOL BASIN AND SIDE EQUIPMENTS



www.atlasgruphavuz.com

MADE IN TURKEY



POLYESTER ENGINE ROOM

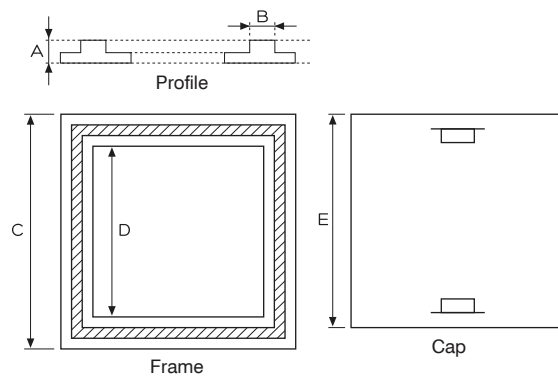
Code	Description	Product Size	Kg / Pcs	Price (€)
ATS HKE132	Polyester Engine Room for Ø760	119x137x95 cm	-	800,00 €



POLYESTER ENGINE ROOM AND BALANCE TANK CAPS

Code	Description	Box Size	Kg / Pcs	Price (€)
ATS HKE135	Polyester 60x60 Cap (Beige)	0,75x0,75x0,10	9,75	140,00 €
ATS HKE136	Polyester 75x75 Cap (Beige)	0,91x0,91x0,10	11,55	190,00 €
ATS HKE137	Polyester 90x90 Cap (Beige)	1,10x1,10x0,10	21,50	350,00 €
ATS HKE138	Polyester 100x100 Cap (Beige)	1,15x1,15x0,10	26,50	400,00 €

Caps	A	B	C	D	E
90x90 cm	5 cm	4 cm	108 cm	87 cm	90 cm
75x75 cm	5 cm	4 cm	90 cm	69 cm	75 cm
60x60 cm	5 cm	4 cm	73 cm	52 cm	60 cm
100x100 cm	5 cm	4 cm	115 cm	94 cm	100 cm



The Second In The World; The First In TURKEY!

www.atlasgruphavuz.com



1,5" - 2" EVA HOSE



Atlaspool

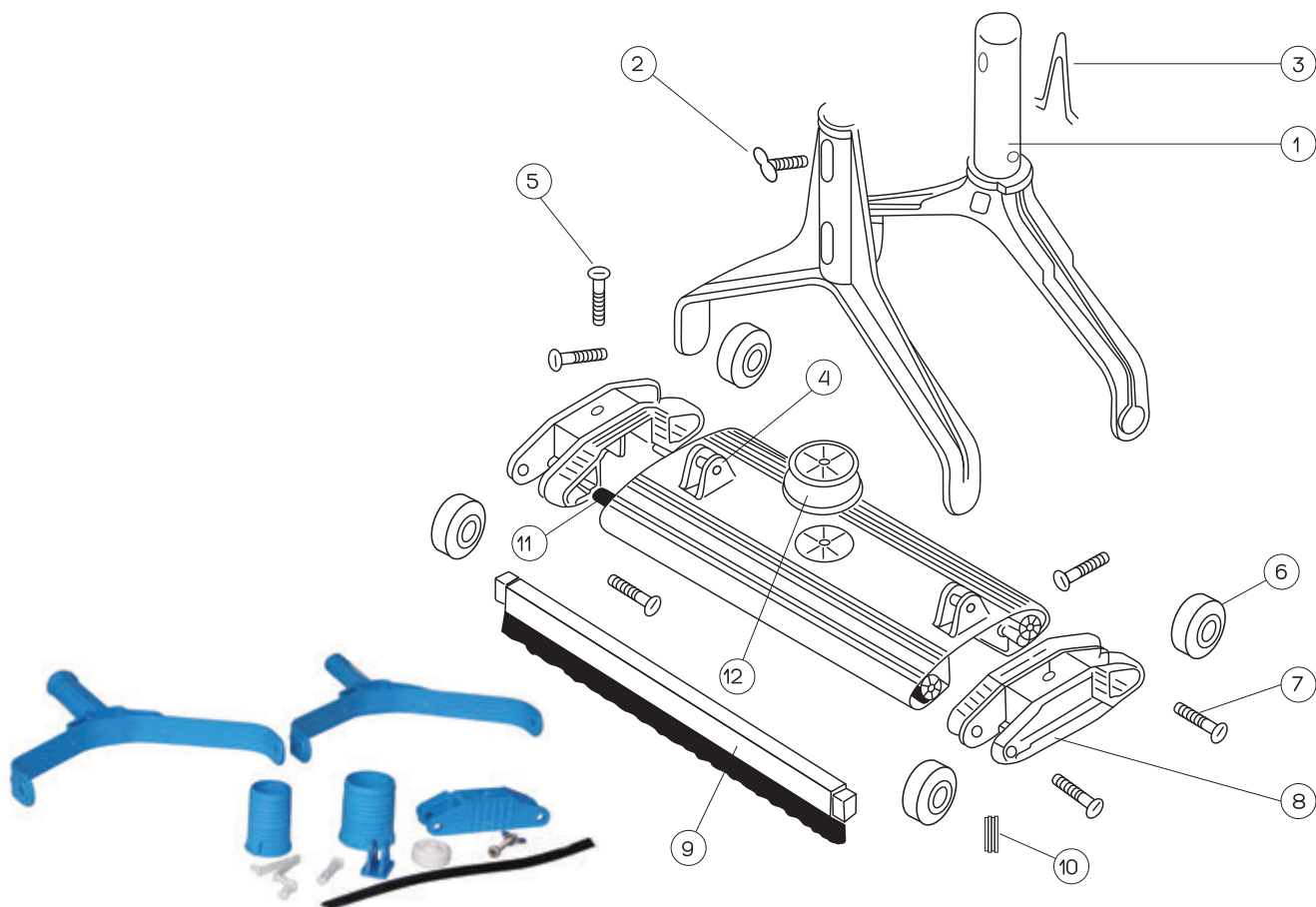


**POOL BASIN AND SIDE
EQUIPMENTS**

1 ½" - 2"

Flat Model Vacuum

Part Distribution



**VACUUM
CLEANER PARTS**

Code	Description	Kg/piece	Price (€)
ATS HTE001	Vacuum Fork 1 ½"	1	4,80 €
ATS HTE002	Vacuum Fork 2"	1	7,20 €
ATS HTE003	Vacuum Fork with Butterfly Nut Stainless Steel	2	3,50 €
ATS HTE004	Vacuum Fork with Clip	3	1,80 €
ATS HTE005	Vacuum Fork Connection Part	4	2,90 €
ATS HTE006	Vacuum Fork Connection Pin	5	0,30 €
ATS HTE007	Vacuum Roller	6	1,40 €
ATS HTE008	Vacuum Roller Pin	7	0,60 €
ATS HTE009	Vacuum Side Body (Roller)	8	4,80 €
ATS HTE010	Vacuum Brush 1 ½"	9	6,00 €
ATS HTE011	Vacuum Brush 2"	9	9,00 €
ATS HTE012	Vacuum Brush Spring	10	0,80 €
ATS HTE013	Vacuum Tire (1mt)	11	3,50 €
ATS HTE014	Vacuum Connection Adapter 1 ½"	12	3,60 €
ATS HTE015	Vacuum Connection Adapter 2"	12	6,00 €



Aluminum Flat Vacuum

Code	Description	Package Size	Kg/piece	Price (€)
ATS HTE016	1½" Flat Type Vacuum with Clip	0,32x0,51x0,13	2,45	33,00 €
ATS HTE017	2" Flat Type Vacuum with Clip	0,32x0,51x0,13	2,78	38,00 €
ATS HTE018	1½" Flat Type Vacuum with Pin Bolt	0,32x0,51x0,13	2,45	38,00 €
ATS HTE019	2" Flat Type Vacuum with Pin Bolt	0,32x0,51x0,13	2,78	43,00 €
ATS HTE020	2" Flat Type Vacuum 60 cm with Pin Bolt	0,32x0,51x0,13	3,50	75,00 €



Aluminum Telescopic Handle

Code	Description	Package Size	Kg/piece	Price (€)
ATS HTE021	2x2 Telescopic Handle	2,20x0,13x0,13	1,22	22,00 €
ATS HTE022	2x2,5 Telescopic Handle	2,75x0,13x0,13	1,36	24,00 €
ATS HTE023	2x3 Telescopic Handle	3,20x0,13x0,13	1,85	32,00 €
ATS HTE024	3x3 Telescopic Handle	3,20x0,13x0,13	2,25	59,00 €
ATS HTE059	4x3 Telescopic Handle	3,20x0,15x0,15	3,50	85,00 €

EVA Vacuum Hose

MADE IN TURKEY



Code	Description	Package Size	Kg/piece	Price (€)
ATS HTE025	1½" EVA Vacuum Hose - 15 mt	0,65x0,65x0,30	-	45,00 €
ATS HTE026	1½" EVA Vacuum Hose - 20 mt	0,65x0,65x0,30	-	60,00 €
ATS HTE027	1½" EVA Vacuum Hose - 30 mt	0,65x0,65x0,30	-	90,00 €
ATS HTE028	2" EVA Vacuum Hose - 15 mt	0,67x0,67x0,43	-	60,00 €
ATS HTE029	2" EVA Vacuum Hose - 20 mt	0,67x0,67x0,43	-	80,00 €
ATS HTE030	2" EVA Vacuum Hose - 30 mt	0,67x0,67x0,43	-	120,00 €



Vacuum Hose (Domestic)

Code	Description	Package Size	Kg/piece	Price (€)/mt
ATS HTE031	1½" Vacuum Hose - 50 mt	0,72x0,72x0,50	9,00	2,56 €
ATS HTE032	2" Vacuum Hose - 50 mt	0,84x0,84x0,52	13,25	3,20 €



Hose Adaptors

Code	Description	Package Size	Price (€)
ATS HTE033	Adaptor for 1½ "-2" Hose	0,05	5,50 €
ATS HTE035	Adaptor for 1½ " Hose	0,03	3,50 €



Leaf Scoop in Plastic

Code	Description	Kg/piece	Price (€)
ATS HTE036	Deep Bottom Wide Leaf Scoop	0,50	12,00 €
ATS HTE037	Deep Bottom Economic Leaf Scoop	0,40	6,00 €



Curved Pool Brush With Clip

Code	Description	Kg/piece	Price (€)
ATS HTE038	Flat Type Pool Brush - 26 cm	0,15	6,00 €
ATS HTE039	Curved Pool Brush - 45 cm	0,30	8,00 €
ATS HTE040	Curved Pool Brush with Metal Handle - 45 cm	0,50	12,00 €



Pool Brush With Stainless Steel Bristles

Code	Description	Kg/piece	Price (€)
ATS HTE041	Cr-Ni Wiry Long Algae Brush 26 cm	0,30	18,00 €
ATS HTE042	Cr-Ni Wiry Short Algae Brush 12,5 cm	0,16	14,00 €



Thermometers

Code	Description	Kg/piece	Price (€)
ATS HTE044	Large Thermometer 24 cm	0,05	12,00 €
ATS HTE045	Round Thermometer	0,20	30,00 €



Pool Chemical Dispenser

Code	Description	Kg/piece	Price (€)
ATS HTE046	Dispenser - Tablet Floater	0,33	14,00 €



Liner Type Pool Cleaner

Code	Description	Kg/piece	Price (€)
ATS HTE047	Liner Type Triangle Pool Cleaner	1,10	27,00 €



Liner Type Pool Cleaner (Weight)

Code	Description	Kg/piece	Price (€)
ATS HTE048	Liner Type Butterfly Pool Cleaner	0,90	27,00 €



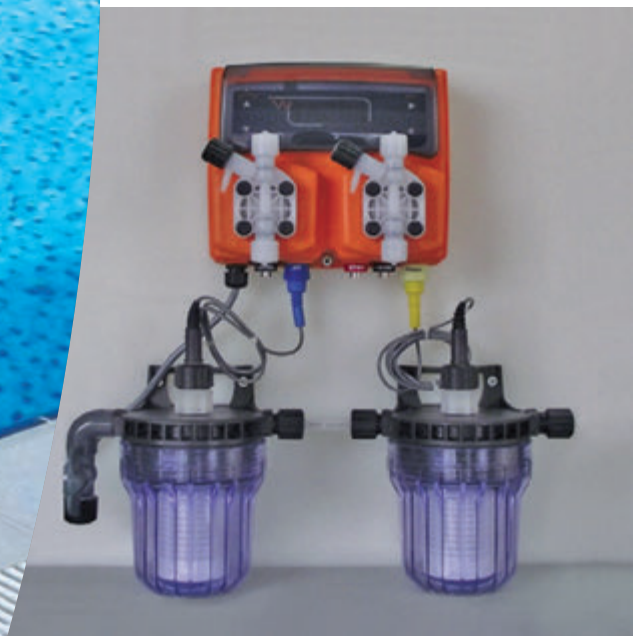
www.atlasgruphavuz.com



MADE IN ITALY

EMEC
LIQUID CONTROL SYSTEM

Atlaspool



**DISINFECTION
SYSTEMS**

AUTOMATIC CONTROL SYSTEMS ON PANEL



PH-RH Measurement Device with Pumps (until 1000 m³ pool)

Code	Description	Box / Size	Kg / Pcs	Unit Price / €
ATS HDS001	WPHRHD 03 10 Automatic Control Device	0,52x0,52x0,16	8,50 kg	1.219,00 €

Digital proportional regulator with acid (pH) and disinfectant (ORP) dosage pump. Measuring range 0-14 pH and 0-1000 mV. Stand-by inlet, level control on each pump. Two operation mode: Mode 1; manual feed of chlorine and acid; Mode 2; acid and chlor (pH firstly) feed by pH. The capacity of dosing pumps 10 lt/h 3 bar. Backlighted LCD screen. PVDF pump head. It included 2 Piece NFIL60 filter. 2 Piece PEA Prob standpat, 1 Piece EPHS pH prob, 1 Piece ERHS Redoks prob, 4 Piece Calibration Liquids.



Measurement Device with pH-RH metered Dosage Pumps (until 2000 m³ pool) VPH- VRH

Code	Description	Box / Size	Kg / Pcs	Unit Price / €
ATS HDS002	VPO 02 17 / Automotic Control Device	0,52x0,52x0,16	9,90 kg	1.863,00 €

VPH 02 17 4 00 00/ 2 bar 17 lt/h, It included inside pH meter with proportional control, digital indication, floater inlet and level floater, 220 VAC, 16 W, PVDF, suction filter, discharge injection nozzle, 4x6 suction-discharge-degassing hose. VRH 02 17 4 00 00 / 2 bar 17 lt/h, It included inside redoksmeter (ORP) with proportional control, digital indication, floater inlet and level floater, 220 VAC, 16 W, PVDF, suction filter, discharge injection nozzle, 4x6 suction-discharge-degassing hose. It included 2 Piece NFIL60 filter, 2 Piece PEA Prob standpat, 1 Piece EPHS pH prob, 1 Piece ERHS Redoks prob (ORP), 4 Piece Calibration Liquids.



PH-RH Measurement Device

Code	Description	Box / Size	Kg / Pcs	Unit Price / €
ATS HDS003	LDPHRH04 14 PHVE 0-1000 mV Measuring Device	0,52x0,52x0,16	7,50 kg	1.397,00 €

LDPHRH/The pH RH measurement device; measuring range 0-14 pH and 0-1000 mV, LED screen, redox measurement device. IP 65 protection. It included 2 Piece NFIL60 filter, 2 Piece PEA Prob standpat, 1 Piece EPHS pH prob, 1 Piece ERHS Redoks prob (ORP), 4 Piece Calibration Liquids.



Measurement Device with Inside pH/RH Metered Dosing Pump

Code	Description	Box / Size	Kg / Pcs	Unit Price / €
ATS HDS004	VPO 02 17 Internal PH/RH metered	0,52x0,52x0,16	7,70 kg	954,50 €

LPHRH/The pH RH measurement device; measuring range 0-14 pH and 0-1000 mV, on/off, twofold display (7 line LED screen). IP 65 protection. It included 2 Piece NFIL60 filter, 2 Piece PEA Prob standpat, 1 Piece EPHS pH prob, 1 Piece ERHS Redoks prob (ORP), 4 Piece Calibration Liquids.

Code	Description	Box / Size	Kg / Pcs	Unit Price / €
ATS HDS005	VPO 02 17 Internal PH/RH metered	0,52x0,52x0,16	7,70 kg	943,00 €

2 bar 17 lt/h. It included inside redoksmeter (ORP) with proportional control, digital indication, indication, floater inlet and level floater, 220 VAC, 16 W, PVDF pump head, suction filter, discharge injection nozzle, 4x6 suction-discharge-degassing hose. It included 1 Piece NFIL60 filter, 1 Piece PEA Prob standpat, 1 Piece ERHS redoks prob (ORP), 1 Piece Calibration Liquids.



AUTOMATIC CONTROL DEVICE



pH-RH Measurement Device With Pumps
(until 1000 m³ pool)

Code	Description	Box / Size	Kg / Pcs	Unit Price / €
ATS HDS006	WPHRHD 03 10 Internal pH/RH Automatic Control Device	0,32x0,24x0,28	3,00 kg	788,00 €

Digital proportional regulator with acid (pH) and disinfectant (ORP) dosage pump. Measuring range 0-14 pH and 0-1000 mV. Stand-by inlet, level control on each pump. Two operation mode: Mode 1; manual feed of chlorine and acid; Mode 2; acid and chlor (pH firstly) feed by pH. The capacity of dosing pumps 10 lt/h 3 bar. Backlighted LCD screen. PVDF pump head.



Measurement Device With Inside pH/RH Metered Dosing Pump

Code	Description	Box / Size	Kg / Pcs	Unit Price / €
ATS HDS007	VPO 02 Bar 17lt/h Internal pH/RH metered	0,32x0,18x0,21	2,20 kg	867,00 €
ATS HDS008	VPO 03 Bar 10 lt/h Internal pH/RH metered	0,32x0,18x0,21	2,20 kg	743,00 €
ATS HDS009	VPO 07 Bar 06lt/h Internal pH/RH metered	0,32x0,18x0,21	2,20 kg	743,00 €

It included inside pH / RH meter with proportional control, digital indication, floater inlet and level floater, 220 VAC, 16 W, PVDF pump head, suction filter, discharge injection nozzle, 4x6 suction-discharge-degassing hose.



pH-RH Measurement Device

Code	Description	Box / Size	Kg / Pcs	Unit Price / €
ATS HDS013	LDPHRH 04 14 PH VE 0-1000 mv / measuring device	0,34x0,28x0,24	2,00 kg	1133,00 €

LDPHRH/ Measuring range 0-14 pH and 0-1000 mV., LCD Screen, PH and redox (7 line LED screen). IP 65 protection.



DOSING PUMPS



FCE / FCLE Dosing Pump

Code	Description	Box / Size	Kg / Pcs	FCE Without Switch Unit Price / €	FCLE With Switch Unit Price / €
ATS HDS014	FCE 05 05 / 5 bar 5 lt/h - 2,5 bar 7 lt/h - 1 bar 8 lt/h	0,19x0,19x0,24	2,20 kg	163,00 €	248,00 €
ATS HDS015	FCE 07 03 / 7 bar 3 lt/h - 3,5 bar 4 lt/h - 1 bar 6 lt/h	0,19x0,19x0,24	2,20 kg	163,00 €	248,00 €
ATS HDS016	FCE 12 1,5 / 12 bar 1.5 lt/h - 6 bar 2.5 lt/h - 1 bar 5 lt/h	0,19x0,19x0,24	2,20 kg	163,00 €	248,00 €

FCE DOSING PUMP WITHOUT SWITCH

On-Off control, flow control with manual frequency, 1/10 divider mode, 220 VAC, 16W, analogue control, Polypropylene, suction filter, discharge injection nozzle, 4x6 suction-discharge-degassing hose.

FCLE DOSING PUMP WITH SWITCH

On-Off control, flow control with manual frequency, 1/10 divider mode, floater inlet and level floater, 220 VAC, 16 W, analogue control, Polypropylene pump head, suction filter, discharge injection nozzle, 4x6 suction-discharge-degassing hose.



VCO / VCL Dosing Pump

Code	Description	Box / Size	Kg / Pcs	VCO Without Switch Unit Price / €	VCL With Switch Unit Price / €
ATS HDS017	VCO 03 10 / 3 bar 10 lt/h - 2 bar 11lt/h -1 bar 13 lt/h	0,18x0,20x0,33	2,20 kg	307,00 €	448,50 €
ATS HDS018	VCO 02 17 / 2 bar 17 lt/h -1 bar 18 lt/h 0 bar 19 lt/h	0,18x0,20x0,33	2,20 kg	420,00 €	573,00 €
ATS HDS019	VCO 05 10 / 5 bar 10 lt/h -2 bar 13 lt/h 1 bar 15 lt/h	0,18x0,20x0,33	2,20 kg	363,00 €	512,00 €
ATS HDS020	VCO 10 10 / 10 bar 10 lt/h -5 bar 13 lt/h 1 bar 20 lt/h	0,18x0,20x0,33	2,20 kg	420,00 €	573,00 €
ATS HDS021	VCO 07 06 / 7 bar 6 lt/h -3 bar 9 lt/h 1 bar 12 lt/h	0,18x0,20x0,33	2,20 kg	307,00 €	448,50 €
ATS HDS022	VCO 15 04 / 15 bar 4 lt/h -5 bar 7,5 lt/h 1 bar 12 lt/h	0,18x0,20x0,33	2,20 kg	363,00 €	512,00 €
ATS HDS023	VCO 18 02 / 18 bar 2 lt/h -6 bar 4 lt/h 1 bar 8 lt/h	0,18x0,20x0,33	2,20 kg	363,00 €	512,00 €

VCO DOSING PUMP WITHOUT SWITCH

On-Off control, flow control with manual frequency, 1/10 divider mode, 220 VAC, 16W, analogue control, Polypropylene, suction filter, discharge injection nozzle, 4x6 / 4x8 / 6x8 suction-discharge-degassing hose.

VCL DOSING PUMP WITH SWITCH

On-Off control, flow control with manual frequency, 1/10 divider mode, floater inlet and level floater, 220 VAC, 16 W, analogue control, PVDF pump head, suction filter, discharge injection nozzle, 4x6 / 4x8 / 6x8 suction-discharge-degassing hose.



TCO / TCL Dosing Pump

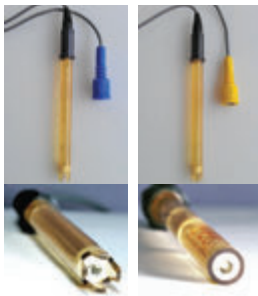
Code	Description	Box / Size	Kg / Pcs	TCO Without Switch Unit Price €	TCL With Switch Unit Price €
ATS HDS024	TCO 03 30 / 3 bar 30 lt/h - 1 bar 35 lt/h -0 bar 15 lt/h	0,34x0,28x0,24	5,70 kg	728,00 €	937,00 €
ATS HDS025	TCO 04 20 / 4 bar 20 lt/h - 1,5 bar 25 lt/h -0 bar 38 lt/h	0,34x0,28x0,24	5,70 kg	575,00 €	770,00 €
ATS HDS026	TCO 01 50 / 1 bar 50 lt/h - 0 bar 57 lt/h	0,34x0,28x0,24	5,70 kg	726,00 €	937,50 €

TCO WITHOUT SWITCH

3 bar 30 lt/h. On-Off control, flow control with manual frequency, 220 VAC, 27W, analogue control, usable for wall installation, microprocessor technology, PVDF pump head, suction filter, discharge injection nozzle, 6x8/ 8x12 suction-discharge-degassing hose.

TCL WITH SWITCH

On-Off control, flow control with manual frequency, floater inlet and level floater, 220 VAC, 27W, usable for wall installation, microprocessor technology, analogue.



Ph

cl

PH Prob - Redox Prob

Code	Description	Box / Size	Kg / Pcs	Unit Price / €
ATS HDS040	EPHS 0,8 MT with cable- Ph Prob	0,20x0,07x0,06		125,00 €
ATS HDS041	EPHM 4,5 m with cable- Ph Prob	0,20x0,07x0,06		170,00 €
ATS HDS042	EPHL15mt with cable- Ph Prob	0,20x0,07x0,06		204,00 €
ATS HDS043	ERHS 0,8mt with cable- Cl Prob	0,20x0,07x0,06		135,00 €
ATS HDS044	EPHM 4,5mt with cable- Cl Prob	0,20x0,07x0,06		180,00 €
ATS HDS045	EPHL 15mt with cable- Cl Prob	0,20x0,07x0,06		207,00 €

PH Prob: 7 bar/ 70 °C (3,5 bar-80 °C). Measuring range 0-14 pH, epoxy body, BNC connection, 12 mm diameter, min. Conductivity 100 microsimsens.

Redox Prob: 7 bar/ 70 °C (3,5 bar-80 °C). Measuring range 0-1000 mV, epoxy body, BNC connection, 12 mm diameter.



Filter

Code	Description	Box / Size	Kg / Pcs	Unit Price / €
ATS HDS046	NFIL 60 5", 60 micron, off-line, 5 bar, 65 °C, 6x8, PP body	0,23x0,19x0,19	0,20	64,20 €



Prob Standpipe With Level Sensor

Code	Description	Unit Price / €
ATS HDS047	NPED 4, Polypropylene body, 6x8, Level Sensor with BNC Connection. 2 Piece Ø12 Prob inlet, 50°C / 5 bar, off-line prob standpipe.	226,00 €



Prob Standpad

Code	Description	Unit Price / €
ATS HDS0048	PEA ½", on pipe type, 5 bar 65 °C, PVDF, line	12,00 €



Calibration Liquids

Code	Description	Unit Price / €
ATS HDS049	BSD 650 mV , 50 ml	17,40 €
ATS HDS050	BSA 4ph , 50 ml	12,00 €
ATS HDS051	BSB 7 ph , 50 ml	12,00 €
ATS HDS052	BSC 9 ph , 50 ml	12,00 €



Checkvalves

Code	Description	Unit Price / €
ATS HDS053	Suction fitter ½", 4x6 hose connection Union, PVDF, checkvalf	29,50 €
ATS HDS054	Discharge injection nozzle ½", 4x6 hose connection union, PVDF, checkvalf	30,00 €
ATS HDS055	Pump Head Checkvalf 3/8", 4x6 hose connection union, PP, ceramic ball	16,50 €



Level Sensor

Code	Description	Unit Price / €
ATS HDS056	Level Sensor, BNC connection, 2 mt cable, New type	27,40 €
ATS HDS057	Level Sensor, BNC connection, 2 mt cable	27,40 €

ECONOMIC OZONE GENERATOR

Ozone Generator Pool Type



Code	Description	Box Size	Kg/Pcs	Unit Price (€)
ATS HDS118	Ozone Generator - 1 gr/h			1.250,00 €
ATS HDS119	Ozone Generator - 2 gr/h			1.350,00 €
ATS HDS120	Ozone Generator - 3 gr/h			1.470,00 €
ATS HDS121	Ozone Generator - 5 gr/h			1.590,00 €
ATS HDS122	Ozone Generator - 7 gr/h			1.720,00 €
ATS HDS123	Ozone Generator - 10 gr/h			2.200,00 €
ATS HDS124	Ozone Generator - 15 gr/h			2.350,00 €



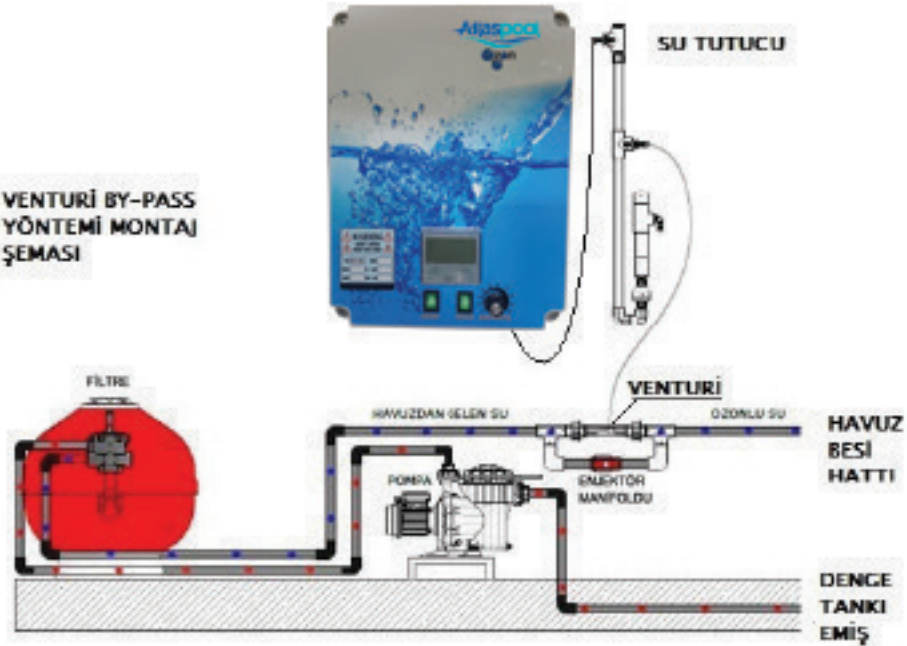
Model	Outdoor Pool m ³ (Including balance tank)	Indoor Pool m ³ (Including balance tank)
ATS HDS118	10 m ³	15 m ³
ATS HDS119	20 m ³	30 m ³
ATS HDS120	30 m ³	45 m ³
ATS HDS121	50 m ³	75 m ³
ATS HDS122	70 m ³	105 m ³
ATS HDS123	100 m ³	150 m ³
ATS HDS124	150 m ³	225 m ³



It is recommended to use automatic dosing CL-PH in all models.



**VENTURİ BY-PASS
YÖNTEMİ MONTAJ
ŞEMASI**

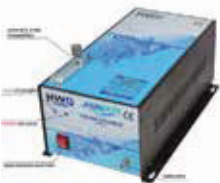


**POOL OZONE SYSTEMS
DOMESTIC PRODUCTION KRONA DISCHARGE TECHNOLOGY**



Model	Outdoor Pool m ³ (Including balance tank)	Indoor Pool m ³ (Including balance tank)	Venturi Model	Circulation Flow
HWO 05 CD	Designed for jacuzzi and children's pools		1/2" PVDF	Min. Volume/6
HWO 5 CD	0 - 50	0 - 100	3/4" PVDF	Min. Volume/6
HWO 15 CD	0 - 150	0 - 200	1" PVDF	Min. Volume/6
HWO 25 CD	150 - 250	200 - 300	1" PVDF	Min. Volume/6
HWO 50 CD	250 - 500	300 - 600	1" PVDF	Min. Volume/6
HWO 15 C	0 - 200	0 - 250	1" PVDF	Min. Volume/6

It is recommended to use automatic dosing CL-PH in all models. Warranty is 2 years



HWO 05 CD	Specifications
Ozone Production	0,5 gr/h
Voltage	220 V 50 hz
Power	30 W
Cooling	Air Cooled
Crona Frequency	10 khz

HWO 5 CD	Specifications
Ozone Production	5 gr/h
Inlet air flow	5 lt/min
Voltage	220 V 50 hz
Power	150 W
Cooling	Air Cooled
Crona Frequency	10 khz



HWO 15 CD	Specifications
Ozone Production	15 gr/h
Inlet air flow	5 lt/min
Voltage	220 V 50 hz
Power	150 W
Cooling	Air Cooled
Crona Frequency	10 khz

HWO 25 CD	Specifications
Ozone Production	25 gr/h
Inlet air flow	5 lt/min
Voltage	220 V 50 hz
Power	250 W
Cooling	Air Cooled
Crona Frequency	10 khz



HWO 50 CD	Specifications
Ozone Production	50 gr/h
Inlet air flow	5 lt/min
Voltage	220 V 50 hz
Power	750 W
Cooling	Air Cooled
Crona Frequency	10 khz

HWO 15 C Compact	Specifications
Ozone Production	15 gr/h
Inlet air flow	5 lt/min Oxygen concentrator
	2500*150 Stainless reaction tank, Stainless Mixture
	Pumps, Electric panel, Venturi and By-Pass Collector
Voltage	220 V 50 hz
Power	150 W
Cooling	Air Cooled
Crona Frequency	10 khz

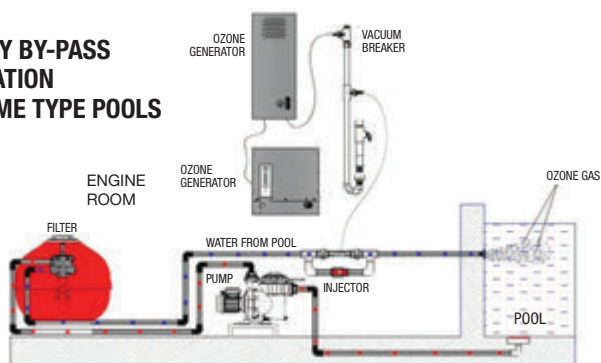


IMPORTANT ISSUES IN THE SYSTEM INSTALLATIONS

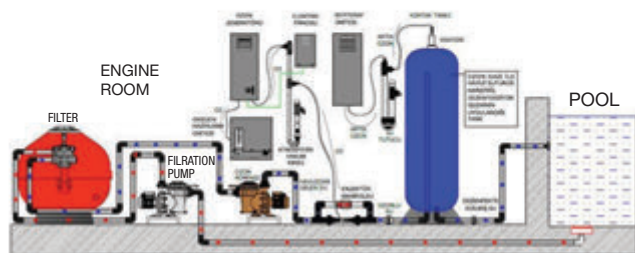
Operating voltage must be between 220 V 50 hz (180-240 V).
 Ventilation holes on the device must be open , Not covered for any reason , or closed .
 Measures must be taken for water splash or prevention of dripping on the device.
 Absolutely use water-holding unit and check valve in ozone connection.
 The place where the device operates should be in %50 humidity and ensure that it is not up to 25 degrees .
 The place where the device operates should be provided dust-free , fresh air inlet .
 Do device exterior cleaning with a moist cloth ,after separating from the electric.
 Do not insert and drop any objects into the ventilation grille .
 Do not use an ozone generator in bathrooms, kitchens and similar environments
 Never breathe the ozone gas,It can destroy the respiratory system at high rates.
 Immediately switch off the appliance in case of ozone gas odor and Ventilate the environment .

MAKE THE INSTALLATION, FIXING AND USAGE OF DEVICE BY YOUR AUTHORIZED PERSON. IF NOT FOLLOWED THE ABOVE REQUIREMENTS, THE DEVICE SHOULD EXCEED THE WARRANTY SCOPE.

VENTURY BY-PASS APPLICATION FOR HOME TYPE POOLS



DEGASSER MIX TECHNIC WITH TANK FOR COMMERCIAL POOL



MANUAL MIXERS

Code	Description	Box Size	Kg / Pcs	Price (€)
ATS HDS075	Manual Agitator-Piston Agitator	0,87x0,07x0,06	0,30	55,00 €



CHEMICAL TANK

Code	Description	Box Size	Kg / Pcs	Price (€)
ATS HDS077	Bund Tank - 100 lt	0,42x0,42x0,79	5,00	100,00 €
ATS HDS078	Bund Tank - 200 lt	0,60x0,60x0,90	8,00	160,00 €



CHLORINATOR

Code	Description	Kg / Pcs	Price (€)
ATS HDS079	Chlorinator On-Line 2 kg Capacity	1,00	40,00 €
ATS HDS080	Chlorinator Off-Line 2 kg Capacity	1,20	68,00 €
ATS HDS081	Chlorinator On-Line 4 kg Capacity	1,70	76,00 €
ATS HDS082	Chlorinator Off-Line 4 kg Capacity	1,90	135,00 €

BS Pool SALT CHLORINATOR BS Salt For Private Pool- Analog Device

Code	Description	Capacity	Price (€)
ATS HDS200	BSSALT-15 Analog Type Salt Chlorinator	15 g/h	1.720,00 €
ATS HDS201	BSSALT-25 Analog Type Salt Chlorinator	25 g/h	2.080,00 €
ATS HDS202	BSSALT-35 Analog Type Salt Chlorinator	35 g/h	2.520,00 €



EVOBASIC For Pool- Digital Device

Code	Description	Capacity	Price (€)
ATS HDS203	EVOBASIC -15 DigitalType Salt Chlorinator	15 g/h	1.984,00 €
ATS HDS204	EVOBASIC -25 DigitalType Salt Chlorinator	25 g/h	2.208,00 €
ATS HDS205	EVOBASIC -35 DigitalType Salt Chlorinator	35 g/h	2.625,00 €



EVOBASIC Special Device

Code	Description	Capacity	Price (€)
ATS HDS206	EVOBASIC -15 MG Salt Chlorinator	15 g/h	2.288,00 €
ATS HDS207	EVOBASIC -25 MG Salt Chlorinator	25 g/h	2.755,00 €
ATS HDS208	EVOBASIC - 35 MG Salt Chlorinator	35 g/h	3.200,00 €



PRO PUBLIC Pool- Professional Device

Code	Description	Capacity	Price (€)
ATS HDS209	PRO 50 Salt Chlorinator	50g/h	4.720,00 €
ATS HDS210	PRO 70 Salt Chlorinator	70g/h	5.000,00 €
ATS HDS211	PRO 100 Salt Chlorinator	100g/h	7.400,00 €
ATS HDS212	PRO 150 Salt Chlorinator	150g/h	8.915,00 €



PRO PUBLIC Pool- Professional Device

Code	Description	Capacity	Price (€)
ATS HDS213	PRO 200 Salt Chlorinator	200g/h	14.020 €



PRO PUBLIC Pool- Professional Device

Code	Description	Capacity	Price (€)
ATS HDS214	PRO 250 Salt Chlorinator	250g/h	18.905,00 €
ATS HDS215	PRO 500 Salt Chlorinator	500g/h	35.542,00 €
ATS HDS216	PRO 750 Salt Chlorinator	750g/h	52.108,00 €
ATS HDS217	PRO 1000 Salt Chlorinator	1000g/h	68.605,00 €



www.atlasgruphavuz.com





Atlaspool



POOL CHEMICALS

MINISTRY OF HEALTH APPROVED CHEMICALS

CHLORS



Code	Description	Box/kg	Price / Box
ATS HDS083	%56 Granule Chlorine Stabilized	50 kg	250,00 \$
ATS HDS084	%56 Granule Chlorine Stabilized	18 kg	97,00 \$
ATS HDS085	%56 Granule Chlorine Stabilized	10 kg	55,00 \$
ATS HDS086	%90 Granule Chlorine Stabilized	50 kg	285,00 \$
ATS HDS087	%90 Granule Chlorine Stabilized	10 kg	64,00 \$
ATS HDS088	%90 Chlorine Tablets Stabilized	50 kg	285,00 \$
ATS HDS089	%90 Chlorine Tablets Stabilized	10 kg	68,00 \$
ATS HDS090	%70 Granule Calcium Hypochlorite	45 kg	410,00 \$

PH Regulatory



Code	Description	Box/kg	Price / Box
ATS HDS091	PH (-) Granule PH Lowering	25 kg	45,00 €
ATS HDS092	PH (-) Granule PH Lowering	10 kg	18,00 €
ATS HDS093	PH (+) Granule PH Rise	10 kg	20,00 €

Algaeist



Code	Description	Box/kg	Price / Box
ATS HDS094	Liquid Algaeist	20 lt	45,00 €
ATS HDS095	Liquid Algaeist	10 lt	22,50 €

Flocculant



Code	Description	Box/kg	Price / Box
ATS HDS096	Liquid Flocculant	20 lt	38,00 €
ATS HDS097	Liquid Flocculant	10 lt	19,00 €

Clarifiers



Code	Description	Box/kg	Price / Box
ATS HDS098	Clarifiers	20 lt	40,00 €
ATS HDS099	Clarifiers	10 lt	20,00 €

Consantrate Chemicals



Code	Description	Inside 1 box	Box Price / €
ATS HDS140	%90 Chlorine	300 gr x 5 package	35,00 €
ATS HDS141	Flocculant	75gr x 10 package	35,00 €
ATS HDS142	Algaeist	50 gr x 10 package	35,00 €
ATS HDS143	Clarifiers	75 gr x 10 package	35,00 €
ATS HDS144	Ion Ball	1 package	45,00 €

*1 box is equal 20 lt liquid chemical. *Ion Ball product has inside Flocculant, Algaeist, Clarifiers, Ph Equaliser, Hardness reducer.

MINISTRY OF HEALTH APPROVED CHEMICALS



Surface Cleaner

Code	Description	Box/kg	Price / Box
ATS HDS100	Pool Surface Cleaner	25 lt	88,00 €
ATS HDS101	Pool Surface Cleaner	10 lt	37,00 €



Foot Disinfectant

Code	Description	Box/kg	Price / Box
ATS HDS102	Foot Disinfectant	25 lt	85,00 €
ATS HDS103	Foot Disinfectant	10 lt	55,00 €



Winter Maintenance Chemicals

Code	Description	Box/kg	Price / Box
ATS HDS104	Winter Maintenance Chemicals	20 lt	110,00 €
ATS HDS105	Winter Maintenance Chemicals	10 lt	65,00 €



Liquid Chlor - Liquid PH

Code	Description	Box/kg	Price / Box
ATS HDS106	Liquid Chlor	25 lt	40,00 €
ATS HDS107	Liquid PH	25 lt	40,00 €



Filter Cleaner

Code	Description	Box/kg	Price / Box
ATS HDS108	Powder Filter Cleaner	5 kg	60,00 €
ATS HDS109	Powder Filter Cleaner	1 kg	17,00 €



Test Kits In Liquid And Tablets

Code	Description	Kg/Pcs	Price / Box
ATS HDS110	Test Kit in Liquid	1 piece	11,00 €
ATS HDS111	Test Kit in Tablet	1 piece	12,00 €
ATS HDS112	DPD1 Test Tablet - CL	1 Folio	3,00 €
ATS HDS113	DPD3 Test Tablet - CL	1 Folio	3,00 €
ATS HDS114	PHENOL RED Test Tablet - pH	1 Folio	3,00 €
ATS HDS115	OTO Test Liquid - CL	1 Bottle	3,50 €
ATS HDS116	PHENOL RED Test Liquid - pH	1 Bottle	3,50 €

POOL CHEMICAL USING DIRECTIONS

Produc	Function	Usage Amount
56 % Granule Chlorine	For Disinfection	0,5 kg / day for 100 m3 pool water (open to the public)
		0,5 kg / week for 100 m3 pool water (in home pools)
	For shocking	0,6 kg-1 kg / 15 days (open to the public)
		0,6 kg-1 kg / month (in home pools)
% 90 Granule Chlorine	For Disinfection	0,35 kg / day for 100 m3 pool water (open to the public)
		0,35 kg / week for 100 m3 pool water (in home pools)
% 90 Granule Chlorine	For Disinfection	1 tablet for 100 m3 pool water (once in 10-12 days)
% 70 Calcium Hypochlorite	For Disinfection	0,2 kg / day for 100 m3 pool water
Ph (-) Powder	PH Reducer	In order to decrease the pH value 0,1 degree 1 kg for 100 m3 pool water
PH (+) Powder	PH Reducer	In order to increase the pH value 0,1 degree 1 kg for 100 m3 pool water
PH (-) Liquid	PH booster	In order to decrease the pH value 0,1 degree 1 l for 100 m3 pool water
PH (+) Liquid	PH Reducer	In order to increase the pH value 0,1 degree 1 lt for 100 m3 pool water
Moss Prohibition	Prohibits Moss Generation	1,5 lt dose for 100 m3 pool water. Next does shall be 0,5 lt / week (In outdoor swimming pools)
		1,5 lt dose for 100 m3 pool water. Next does shall be 0,3 lt / week (In indoor swimming pools)
Precipitator	Flocculant	0,03 – 0,2 lt / day for 100 m3 pool water.
Polisher	Clarifier	0,03 – 0,2 lt / day for 100 m3 pool water.
Foot Disinfection	Fungicide Disinfecting Agent	0,5 % used by watering
Surface Cleaner	Surface Disinfection	1 % used by watering
Winter Maintenance	Against Mossiness And Freezing In Winters	3-4 lt for 100 m3 pool water, dependent upon hardness of water this process is repeated once in a month

WARNINGS

- While using chemical materials the labels shall be read carefully and instructions shall be followed
- The products shall never be mixed with each other, firstly one of them shall be thrown to the pool and then the other one.
- Gloves shall be used while chemical products are used, if there occurs eye contact eyes shall be washed with lots of water and immediately the person whose eye has contacted with these chemicals shall go to doctor for control.
- Chemical products shall be kept out of reach of children in a place which is dry, closed and airy and do not get closer to these chemicals with fire.

Problems and Their Solutions (for 100 m3)

PROBLEM	REASON	SOLUTION
Muddy Water	1) pH high 2) Over resolved solids 3) Bad filtering 4) Over organic subsidence	1) adjust pH between 7,2-7,6 2) Change some of the pool water with fresh water 3) Clean the filter with reverse washing. Perform the precipitation process by using 2 litres precipitator in 100 m3 water with liquid precipitator (shock implementation). 4) Perform shock with granule chlorine which has 90% ratio.
Yeşil su	Moss generation	Perform shock chlorination with granule chlorine which has 90% ratio. Add 2.5 litres antifouling compounds to the pool which is 100 m3 water after brushing the surfaces and sweeping them.
Kahverengi su	Availability of ferrous or managanese	Perform shock chlorination and add 1 litre for 100 m3 water
Göz ve deri tahrişi Kötü kokular	1) Unadjusted pH 2) combined chlorine is too much	1) control and adjust pH between 7,2-7,6 2) Perform shocking process by adding 1 kg chlorine which has 90 % ratio to 100 m3 water 3) Do not use the pool for 2 days

PUTTING INTO USE OF THE POOL IN THE BEGINNING OF THE SEASON

The processes below shall be followed in order to prohibit the problems that can be occurred during season.

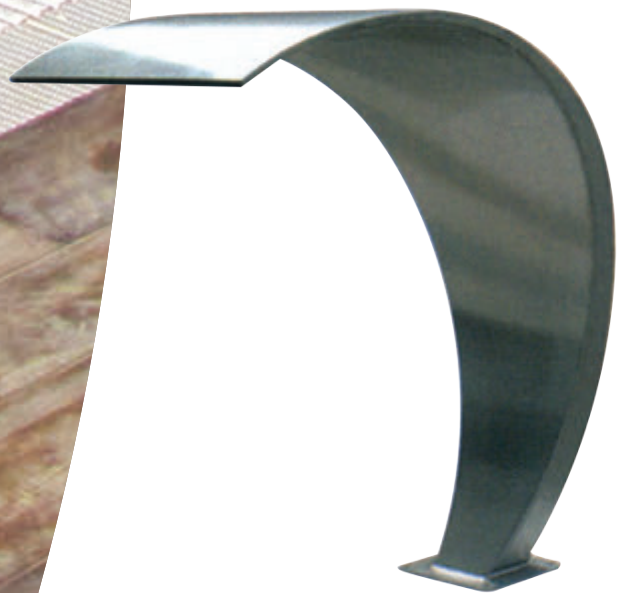
- All the equipments shall be reviewed; if necessary the service shall be called.
- If it is necessary, the pool shall be emptied and then bottom of the pool and the side walls of the pool shall be cleaned with watered moss solvent.
- If the pool is empty, fill it up with water, if it is already filled up with water then make the filtration system work.
- Perform the precipitation process by using 2 litres precipitator for 100 m3 water. 3-4 hours after the precipitator is added to the water stop the filtration process. Perform the sweeping process after one night passes.
- Restart the filtration system.
- Bring the pH and alkanin values to ideal values.
- Evaluate all the measurement values again (pH). Alkanin, chlorine, combined chlorine, solidity.
- Perform shocking process with chlorine which has 90 % ratio. Start to routine implementation after the pool is put into use and the controls are completed.



www.atlasgruphavuz.com



Atlaspool



OTHER PRODUCTS

POOL EXCHANGERS SELECTION TABLE



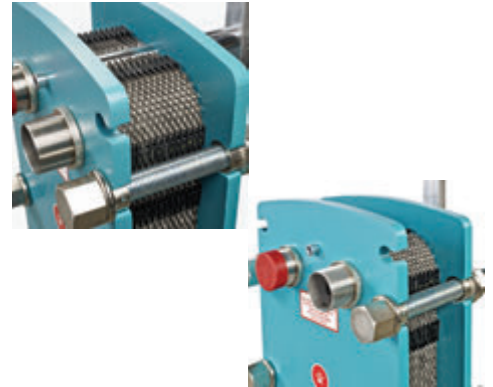
Boiler Cycle

Code	Pool Capacity (m³)	h	kCat/h	Seconder	Model	Connection Diameter	Plate Number	Price (€)
ATS HDU013	10	12	17 000	10 - 28	503	1"	5	279,00 €
ATS HDU014	15	12	25 000	10 - 28	503	1"	7	295,00 €
ATS HDU015	20	12	34 000	10 - 28	503	1"	9	325,00 €
ATS HDU016	25	12	42 000	10 - 28	503	1"	9	340,00 €
ATS HDU017	30	12	45 000	10 - 28	503	1"	10	355,00 €
ATS HDU018	35	12	52 500	10 - 28	503	1"	11	371,00 €
ATS HDU019	40	12	60 000	10 - 28	503	1"	11	386,00 €
ATS HDU020	45	12	67 500	10 - 28	503	1"	13	401,00 €
ATS HDU021	50	12	75 000	10 - 28	503	1"	15	416,00 €
ATS HDU022	60	12	90 000		503	1"	17	431,00 €
ATS HDU023	70	12	105 000	10 - 28	503	1"	21	462,00 €
ATS HDU024	80	12	120 000	10 - 28	503	1"	25	492,00 €
ATS HDU025	90	12	135 000	10 - 28	504	1 1/4"	18	552,00 €
ATS HDU026	100	12	150 000	10 - 28	504	1 1/4"	20	580,00 €
ATS HDU027	125	12	188 000	10 - 28	504	1 1/4"	26	700,00 €
ATS HDU028	150	12	225 000	10 - 28	504	1 1/4"	34	750,00 €
ATS HDU029	175	12	262 000	10 - 28	504	1 1/4"	44	786,00 €
ATS HDU030	200	12	300 000	10 - 28	514	2"	10	889,00 €
ATS HDU031	250	12	375 000	10 - 28	514	2"	12	958,00 €
ATS HDU032	300	12	450 000	10 - 28	514	2"	16	1.060,00 €
ATS HDU033	400	12	600 000	10 - 28	514	2"	20	1.197,00 €
ATS HDU034	500	12	750 000	10 - 28	514	2"	28	1.402,00 €
ATS HDU035	30	18	30 000	10 - 28	503	503	7	310,00 €
ATS HDU036	35	18	35 000	10 - 28	503	503	9	325,00 €
ATS HDU037	40	18	40 000	10 - 28	503	503	9	340,00 €
ATS HDU038	45	18	45 000	10 - 28	503	503	10	355,00 €
ATS HDU039	50	18	50 000	10 - 28	503	503	11	371,00 €
ATS HDU040	60	18	60 000	10 - 28	503	503	11	386,00 €
ATS HDU041	70	18	70 000	10 - 28	503	503	13	401,00 €
ATS HDU042	80	18	80 000	10 - 28	503	503	15	416,00 €
ATS HDU043	90	18	90 000	10 - 28	503	503	17	431,00 €
ATS HDU044	100	18	100 000	10 - 28	503	503	19	462,00 €
ATS HDU045	125	18	125 000	10 - 28	504	1 1/4"	18	523,00 €
ATS HDU046	150	18	150 000	10 - 28	504	1 1/4"	20	583,00 €
ATS HDU047	175	18	175 000	10 - 28	504	1 1/4"	24	675,00 €
ATS HDU048	200	18	200 000	10 - 28	504	1 1/4"	28	718,00 €
ATS HDU049	250	18	250 000	10 - 28	504	1 1/4"	38	786,00 €
ATS HDU050	300	18	300 000	10 - 28	514	2"	10	889,00 €
ATS HDU051	400	18	400 000	10 - 28	514	2"	13	992,00 €
ATS HDU052	500	18	500 000	10 - 28	514	2"	17	1.094,00 €
ATS HDU053	50	24	38 000	10 - 28	503	1"	9	325,00 €
ATS HDU054	60	24	45 000	10 - 28	503	1"	10	340,00 €
ATS HDU055	70	24	53 000	10 - 28	503	1"	11	355,00 €
ATS HDU056	80	24	60 000	10 - 28	503	1"	11	371,00 €
ATS HDU057	90	24	67 000	10 - 28	503	1"	13	386,00 €
ATS HDU058	100	24	75 000	10 - 28	503	1"	15	401,00 €
ATS HDU059	125	24	94 000	10 - 28	503	1"	17	447,00 €
ATS HDU060	150	24	112 500	10 - 28	503	1"	23	492,00 €
ATS HDU061	175	24	132 000	10 - 28	504	1 1/4"	18	552,00 €
ATS HDU062	200	24	150 000	10 - 28	504	1 1/4"	20	580,00 €
ATS HDU063	250	24	190 000	10 - 28	504	1 1/4"	26	700,00 €
ATS HDU064	300	24	225 000	10 - 28	504	1 1/4"	34	752,00 €
ATS HDU065	400	24	300 000	10 - 28	514	2"	10	889,00 €
ATS HDU066	500	24	375 000	10 - 28	514	2"	12	958,00 €

SUPERIORS BY PLATE HEAT EXCHANGERS BY OTHER HEAT EXCHANGERS

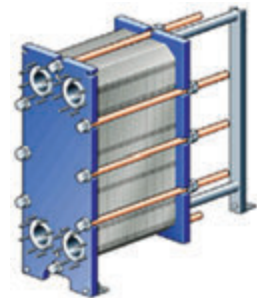
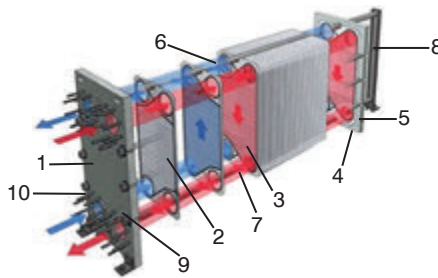
It takes up little space, is efficient and economical.

- Easily cleaned in case of clogging and contamination.
- New plates can be added when capacity needs to be increased.
- Completed plates can easily be replaced with new ones.
- The prices are cheap because they are efficient.



Today Heat pumps are the most economical way to efficiently heat 0-200 m³ special outdoor or indoor pools from May to September (or depending on the region from October to April).

- 1) FRONT BODY
- 2) PLATE AND GASKETS
- 3) PLATE BUNCH
- 4) END PLATE
- 5) BACK BODY
- 6) HANGER RING
- 7) BASE SUPPORT RING
- 8) REAR SUPPORT PROFILE
- 9) SCREW
- 10) FLANGE STEERING



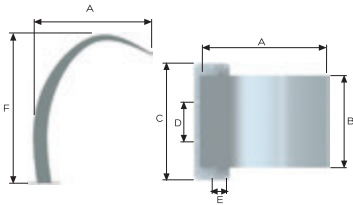
SPECIFICATIONS OF HEAT PUMPS

- The Heat Pump converts the solar energy in the air into heat and transfers it to the water in the pool.
- With each 1 kWh of electricity saved in the electricity meter, the zodiac heat pumps provide 5 kW / h heat transfer to your pool so you can use the free energy by 80%.
- The ratio between the power supplied by the heat pump in your pool and the power required for operation is called COP (Performance coefficient).
- Focusing on the needs of pool users, Zodiac has the heat pumps at the highest cop in the market It works extremely quiet.
- Heat pumps operate at temperatures above + 5, + 6 °C.
- However, Powerforce and Optipac models also have FOUR SEASON models operating at temperatures up to -8, -10 ° C.
- Outdoors, next to the machine room it must be installed by a pool of technicians.
- Heat pumps can be installed into the machine room is available in versions.

WATERFALL CURTAIN LUX



Code	Description	Pump Power	Kg/pcs	Price (€)
ATS HDU067	Waterfall Curtain LUX 1000x400	1,1 KW	29,00	1.470,00 €
ATS HDU068	Waterfall Curtain LUX 1000x500	1,5 KW	34,00	1.590,00 €
ATS HDU069	Waterfall Curtain LUX 1000x600	2,2 KW	40,00	1.710,00 €

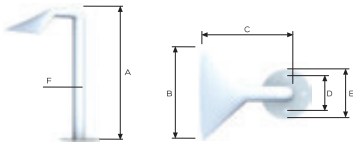


Code	A	B	C	D	E	F	Connection
ATS HDU067	755 mm	400 mm	620 mm	155 mm	8 mm	1000 mm	2"
ATS HDU068	755 mm	500 mm	680 mm	170 mm	8 mm	1000 mm	2"
ATS HDU069	755 mm	600 mm	760 mm	190 mm	8 mm	1000 mm	2"



WATERFALL CURTAIN SWAN

Code	Description	Pump Power	Kg / Pcs	Price (€)
ATS HDU070	Waterfall Curtain SWAN 1000x400	1,1 KW	13,000	856,00 €
ATS HDU071	Waterfall Curtain SWAN 1000x600	2,2 KW	15,000	978,00 €

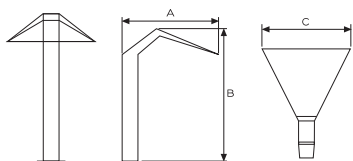


Code	A	B	C	D	E	F	Connection
ATS HDU070	1000 mm	400 mm	555 mm	140 mm	185 mm	90 mm	Ø 63
ATS HDU071	1000 mm	600 mm	555 mm	140 mm	185 mm	90 mm	Ø 63



WATERFALL CURTAIN STARDART

Code	Description	Pump Power	Kg / Pcs	Price (€)
ATS HDU072	Waterfall Curtain STANDART 1000x400	1,1 KW	13,000	1.345,00 €
ATS HDU073	Waterfall Curtain STANDART 1000x500	1,5 KW	15,000	1.467,00 €
ATS HDU074	Waterfall Curtain STANDART 1000x600	2,2 KW		1.589,00 €

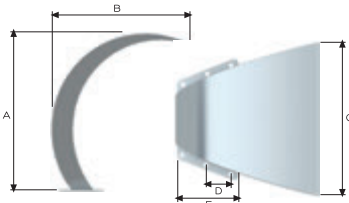


Code	A	B	C	Connection
ATS HDU072	755 mm	1000 mm	400 mm	Ø 63
ATS HDU073	755 mm	1000 mm	500 mm	Ø 63
ATS HDU074	755 mm	1000 mm	600 mm	Ø 63

WATERFALL CURTAIN COBRA

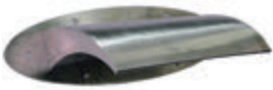


Code	Description	Pump Power	Kg / Pcs	Price (€)
ATS HDU075	Waterfall Curtain COBRA 350X350	1,1 KW	9,00	855,00 €
ATS HDU076	Waterfall Curtain COBRA 800X400	1,5 KW	20,00	1.285,00 €
ATS HDU077	Waterfall Curtain COBRA 900X600	2,2 KW	27,00	1.405,00 €

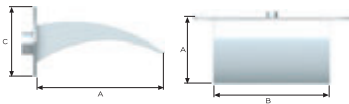


Code	A	B	C	D	F	Connection
ATS HDU075	350 mm	400 mm	350 mm	82 mm	180 mm	1 1/2"
ATS HDU076	800 mm	680 mm	400 mm	110 mm	220 mm	2"
ATS HDU077	900 mm	680 mm	600 mm	115 mm	245 mm	2"

WATERFALL CURTAIN WALL TYPE



Code	Description	Pump Power	Kg / Pcs	Price (€)
ATS HDU078	Waterfall Curtain WALL TYPE 137X300	1,1 KW	7,000	490,00 €
ATS HDU079	Waterfall Curtain WALL TYPE 137X500	1,5 KW	9,000	615,00 €

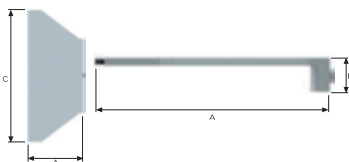


Code	A	B	C	Connection
ATS HDU078	225 mm	300 mm	137 mm	1 1/2" Thread
ATS HDU079	225 mm	500 mm	137 mm	1 1/2" Thread

WATERFALL IN-WALL



Code	Description	Pump Power	Kg / Pcs	Price (€)
ATS HDU080	Waterfall In-wall 65 x 500	1,5 KW	4,935	735,00 €



Code	A	B	C	Connection
ATS HDU080	225 mm	65 mm	500 mm	1 1/2" Thread





USAGE OF GLUE

To be glued surface must be clean. Apply to desired area with brush and combine the pieces
For better adhesion , we recommend that the surface be clean of burrs and surface dirt with sandpaper.
The openness of the glue and the drying time depend on the ambient conditions and the amount applied.
It is suitable for pressure and drain.

Storage Conditions

24 months as from production date in its original capped package. Keep the mouth tightly closed at +10 ° C and + 25 ° C in dry place



PVC GLUE

Code	Description	Kg / Box	Price (€)
ATS HDU090	PVC ATLASPOOL Glue	1 kg	16,00 €

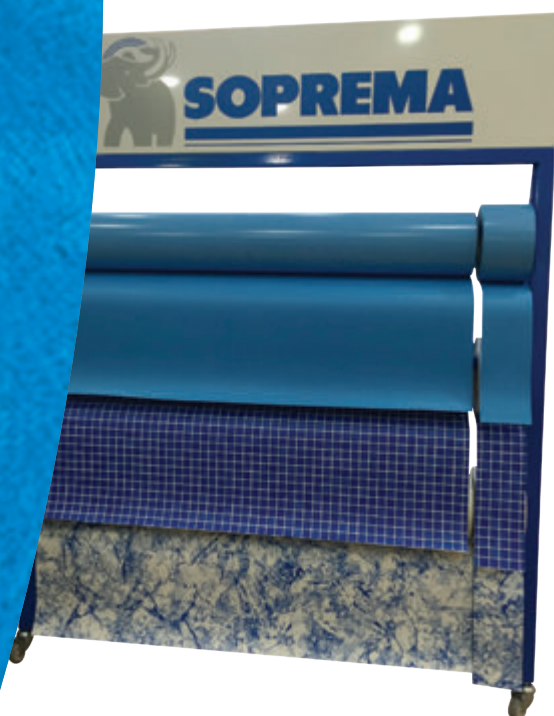
The image shows a close-up of a blue, textured surface, possibly a pool cover or a mat, with a woven wooden rim at the top. The texture is fibrous and uneven. A dark brown rectangular box is overlaid on the left side of the image, containing the website address.

www.atlasgruphavuz.com



MADE IN ITALY

tex|POOL



TEXPOOL LINERS
LINERS GLOSSY



EXCELENTE PERFORMANCE WITH FOURFOLD TECHNOLOGY IN POOL



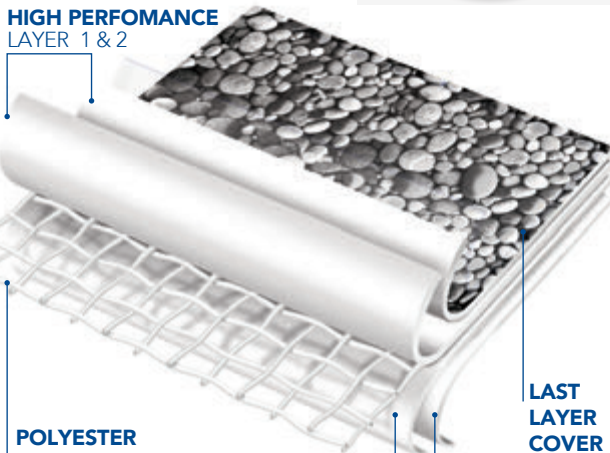
TEXPOOL

- ✓ Polyester reinforced synthetic (PVC_P) pond membrane made of 4 pvc layer
- ✓ TEXPOOL is used in all kinds of reinforced concrete, steel prefabricated surface, new or existing swimming pools.



- High resistance to microorganisms. BIO-SHIELD
- High resistance to UV rays Excellent weldability
- Not affected by hot-cold cycles
- Resistant to chemical products used in swimming pools
- Manufactured according to EN 15836-2010 / ISO 9001 and ISO 14001 standards

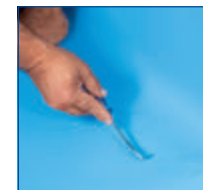
PVC HIGH PERFORMANCE LAYER 1 & 2

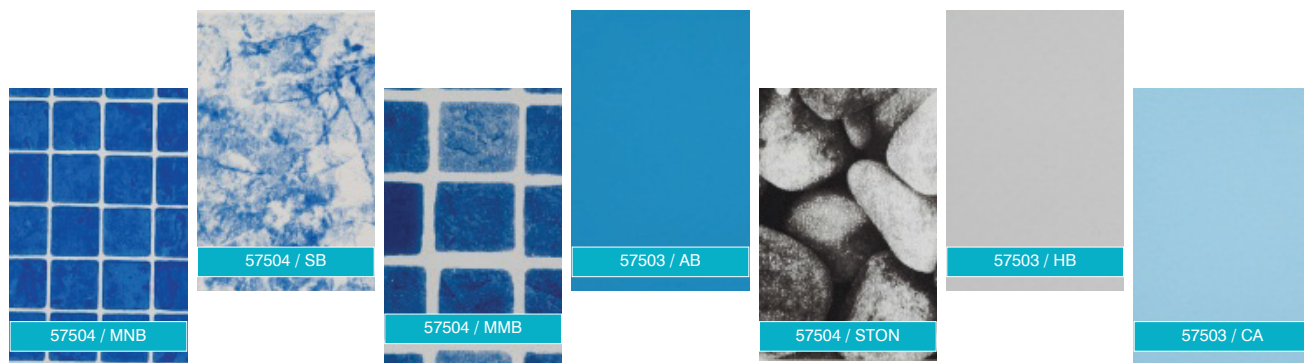


POLYESTER SUPPLYING

PVC HIGH PERFORMANCE LAYER 3 & 4

LAST LAYER COVER



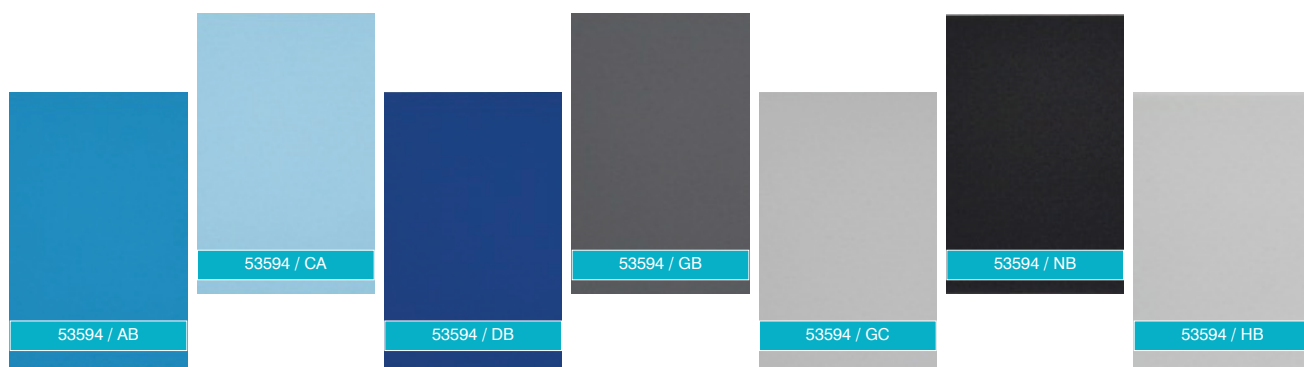


Liners Glossy

Pool Liners

Code	Description	Weight (mm)	Price (€) / m ²
ATS HLK001	57504 MNB Design Liner-Shiny	1,5 mm	26,00 €
ATS HLK002	57504 SB Design Liner-Shiny	1,5 mm	26,00 €
ATS HLK003	57504 MMB Design Liner-Shiny	1,5 mm	26,00 €
ATS HLK004	57503 AB Unicolor Liner-Shiny	1,5 mm	21,00 €
ATS HLK005	57504 AB Stone Liner-Shiny	1,5 mm	26,00 €
ATS HLK006	57503 HB Unicolor Liner-Shiny	1,5 mm	21,00 €
ATS HLK007	57503 CA Unicolor Liner-Shiny	1,5 mm	21,00 €

All Liners are sold as 40 m² and multiples. Liner width :1,60 mt Length :25mt



Liners Unicolor

Pool Liners

Code	Description	Weight (mm)	Price (€) / m ²
ATS HLK008	53594 AB unicolor Liner -Matt	1,5 mm	18,00 €
ATS HLK009	53594 CA unicolor Liner -Matt	1,5 mm	18,00 €
ATS HLK010	53594 DB unicolor Liner -Matt	1,5 mm	18,00 €
ATS HLK011	53594 GB unicolor Liner -Matt	1,5 mm	18,00 €
ATS HLK012	53594 GC unicolor Liner -Matt	1,5 mm	18,00 €
ATS HLK013	53594 NB unicolor Liner -Matt	1,5 mm	18,00 €
ATS HLK014	53594 HB unicolor Liner -Matt	1,5 mm	18,00 €

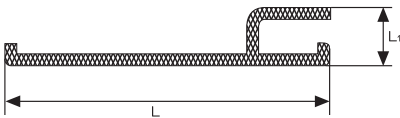
All Liners are sold as 40 m² and multiples. Liner width :1,60 mt Length :25mt

LINER CORNER PROFILE



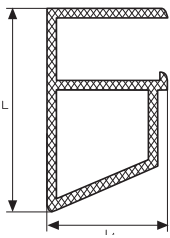
Liner Corner Profile

Code	Description	Mt / Box	Price (€) / mt
ATS HDU086	Liner Corner Profile-2,5 mt	125	2,00 €

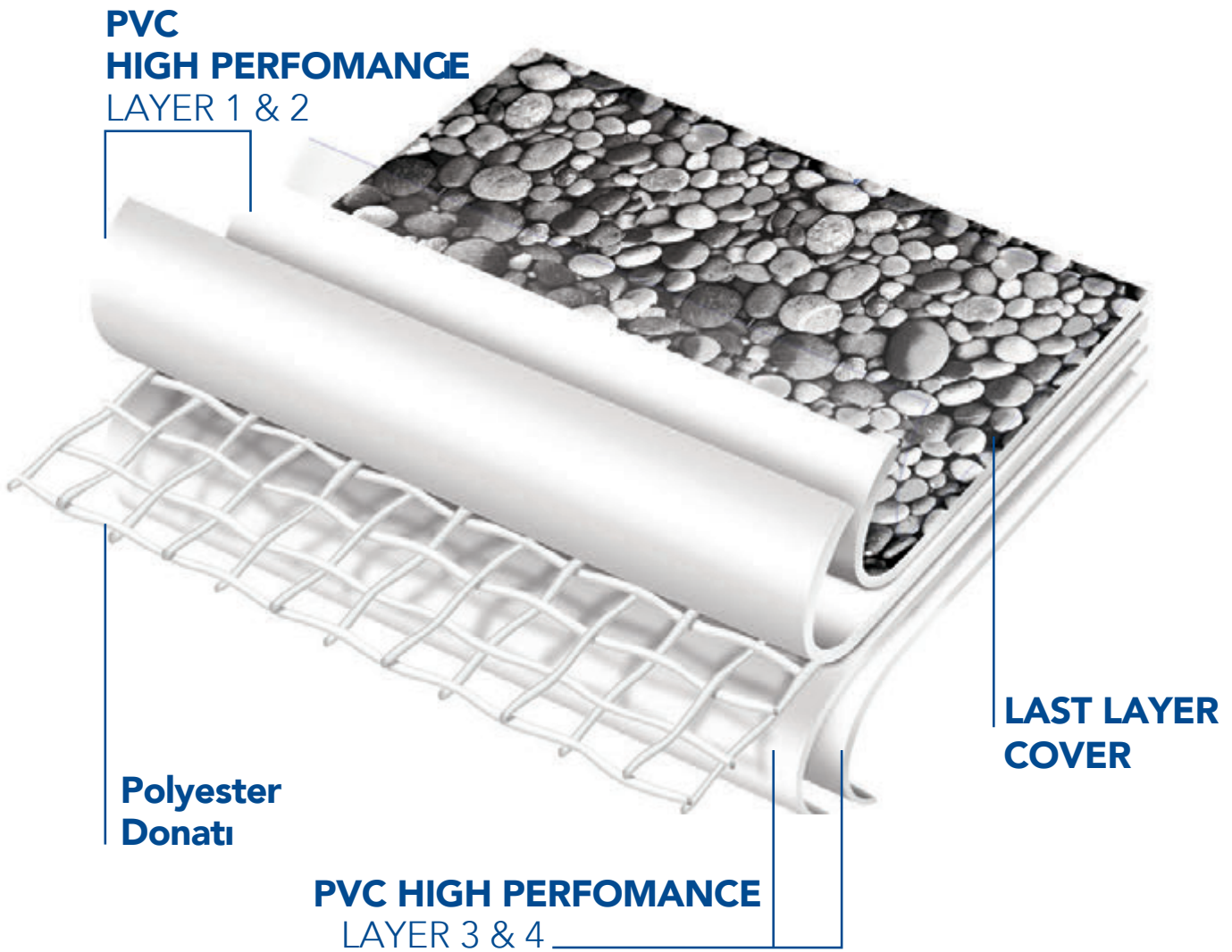


Liner Lock Profile

Code	Description	Mt / Box	Price (€) / mt
ATS HDU087	Liner Lock Profile-2,5 mt	125	2,00 €



NEW LINER
MADE IN ITALY



**EXCELENTE PERFORMANCE WITH
FOURFOLD TECHNOLOGY IN POOL**

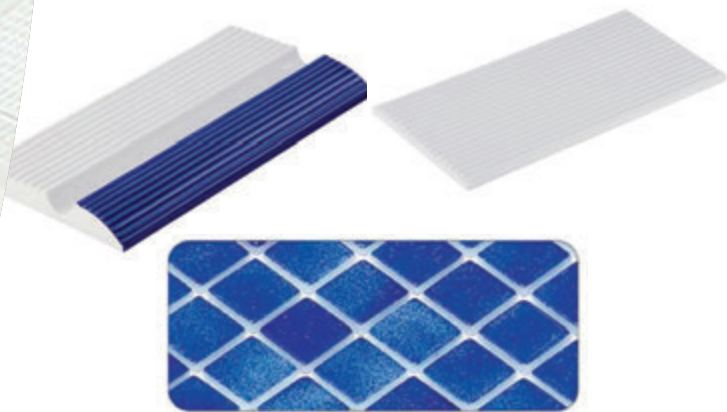
tex|POOL

An aerial view of a swimming pool with a blue mosaic tile floor and a dark blue border. The pool is divided into several lanes by dark blue lines. The water is clear and blue. A green banner is overlaid on the left side of the image.

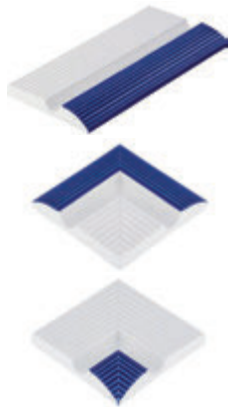
www.atlasgruphavuz.com



Atlaspool

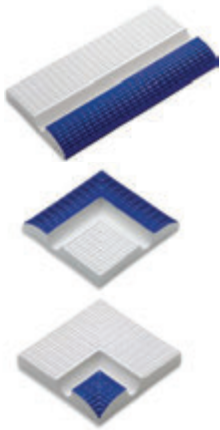


**POOL GLASS MOSAIC TILES,
HANDLES & ANTISLIPS**



**STRIPED
HANDLES**

Code	Description	Unit/Price €
ATS HDU113	12,5 x 25 cm Striped Pool Handle	10,00 €
ATS HDU114	12,5x12,5 cm Striped Pool Handle Inner Corner	19,00 €
ATS HDU115	12,5x12,5 cm Striped Pool Handle Outer Corner	19,00 €
ATS HDU116	25 x 25 cm Striped Pool Handle	13,00 €
ATS HDU117	25 x 25 cm Striped Pool Handle Inner Corner	24,00 €
ATS HDU118	25 x 25 cm Striped Pool Handle Outer Corner	24,00 €



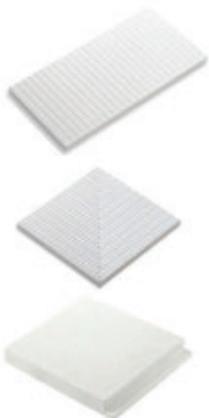
**PETIT CARRE
HANDLES**

Code	Description	Price (€)/pcs
ATS HDU119	12,5 x 25 cm Petit Carre Pool Handle	13,00 €
ATS HDU120	12,5x12,5 cm Petit Carre Pool Handle Inner Corner	24,00 €
ATS HDU121	12,5x12,5 cm Petit Carre Pool Handle Outer Corner	24,00 €
ATS HDU122	25 x 25 cm Petit Carre Pool Handle L	18,00 €
ATS HDU123	25 x 25 cm Petit Carre Pool Handle Inner Corner L	34,00 €
ATS HDU124	25 x 25 cm Petit Carre Pool Handle Outer Corner L	34,00 €



**STRIPED
ANTISLIPS**

Code	Description	Price (€)/pcs
ATS HDU125	12,5 x 25 cm Striped Pool Antislip	1,30 €
ATS HDU126	12,5x12,5 cm Striped Pool Antislip Corner	2,10 €



**PETIT CARRE
ANTISLIPS**

Code	Description	Price (€)/pcs
ATS HDU127	12,5 x 25 cm Petit Carre Pool Antislip	1,30 €
ATS HDU128	12,5x12,5 cm Petit Carre Pool Antislip Corner	2,10 €
ATS HDU129	25 x 25 cm Petit Carre Pool Antislip L	20,00 €
ATS HDU130	25 x 25 cm Petit Carre Pool Antislip Inner Corner L	38,00 €
ATS HDU131	25 x 25 cm Petit Carre Pool Antislip Outer Corner L	38,00 €

EBRU SERIE



Code	Description	Measure	Price (€) / m ²
ATS HVZ005	Glass Type 4.5 mm	25X25 mm	20,00 €



Code	Description	Measure	Price (€) / m ²
ATS HVZ025	Glass Type 4.5 mm	25X25 mm	20,00 €



Code	Description	Measure	Price (€) / m ²
ATS HVZ026	Glass Type 4.5 mm	25X25 mm	20,00 €



Code	Description	Measure	Price (€) / m ²
ATS HVZ027	Glass Type 4.5 mm	25X25 mm	20,00 €



Code	Description	Measure	Price (€) / m ²
ATS HVZ028	Glass Type 4.5 mm	25X25 mm	20,00 €



Code	Description	Measure	Price (€) / m ²
ATS HVZ029	Glass Type 4.5 mm	25X25 mm	20,00 €



Code	Description	Measure	Price (€) / m ²
ATS HVZ030	Glass Type 4.5 mm	25X25 mm	20,00 €



Code	Description	Measure	Price (€) / m ²
ATS HVZ031	Glass Type 4.5 mm	25X25 mm	20,00 €



Code	Description	Measure	Price (€) / m ²
ATS HVZ032	Glass Type 4.5 mm	25X25 mm	20,00 €



Code	Description	Measure	Price (€) / m ²
ATS HVZ037	Glass Type 4.5 mm	25X25 mm	20,00 €



Code	Description	Measure	Price (€) / m ²
ATS HVZ052	Glass Type 4.5 mm	25X25 mm	20,00 €



Code	Description	Measure	Price (€) / m ²
ATS HVZ053	Glass Type 4.5 mm	25X25 mm	20,00 €



Code	Description	Measure	Price (€) / m ²
ATS HVZ060	Glass Type 4.5 mm	25X25 mm	20,00 €

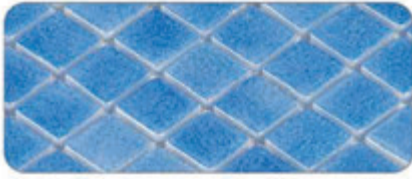


Code	Description	Measure	Price (€) / m ²
ATS HVZ081	Glass Type 4.5 mm	25X25 mm	20,00 €

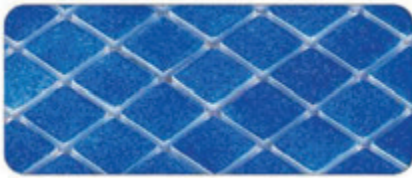


Code	Description	Measure	Price (€) / m ²
ATS HVZ080	Glass Type 4.5 mm	25X25 mm	20,00 €

POOL GLASS MOSAIC TILES, HANDLES & ANTISLIPS



Code	Description	Measure	Price (€) / m ²
ATS HVZ082	Glass Type 4.5 mm	25X25 mm	20,00 €



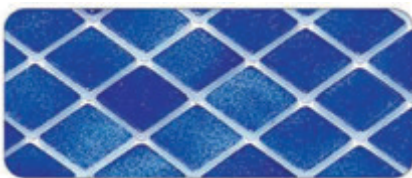
Code	Description	Measure	Price (€) / m ²
ATS HVZ083	Glass Type 4.5 mm	25X25 mm	20,00 €



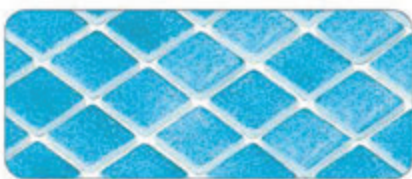
Code	Description	Measure	Price (€) / m ²
ATS HVZ117	Glass Type 4.5 mm	25X25 mm	20,00 €



Code	Description	Measure	Price (€) / m ²
ATS HVZ118	Glass Type 4.5 mm	25X25 mm	20,00 €



Code	Description	Measure	Price (€) / m ²
ATS HVZ119	Glass Type 4.5 mm	25X25 mm	20,00 €



Code	Description	Measure	Price (€) / m ²
ATS HVZ137	Glass Type 4.5 mm	25X25 mm	20,00 €



Code	Description	Measure	Price (€) / m ²
ATS HVZ138	Glass Type 4.5 mm	25X25 mm	20,00 €



Code	Description	Measure	Price (€) / m ²
ATS HVZ109	Glass Type 4.5 mm	38X38 mm	30,00 €



Code	Description	Measure	Price (€) / m ²
ATS HVZ183	Glass Type 4.5 mm	38X38 mm	30,00 €



Code	Description	Measure	Price (€) / m ²
ATS HVZ184	Glass Type 4.5 mm	38X38 mm	30,00 €



Code	Description	Measure	Price (€) / m ²
ATS HVZ185	Glass Type 6.2 mm	38x38 mm	30,00 €



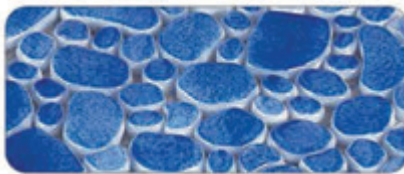
Code	Description	Measure	Price (€) / m ²
ATS HVZ186	Glass Type 6.2 mm	38x38 mm	30,00 €



Code	Description	Measure	Price (€) / m ²
ATS HVZ187	Glass Type 6.2 mm	38x38 mm	30,00 €



Code	Description	Measure	Price (€) / m ²
ATS HVZ188	Glass Type 6.2 mm	38x38 mm	30,00 €



Code	Description	Measure	Price (€) / m ²
ATS HVZ341	Glass Type 7.5 mm		58,00 €

PATTERN SERIES



Code	Description	Measure	Pattern Measure	Price (€) / ad
ATS HVZ705	Glass Type 4.5 mm	25X25 mm	158x189 cm	200,00 €



Code	Description	Measure	Pattern Measure	Price (€) / ad
ATS HVZ706	Glass Type 4.5 mm	25X25 mm	158x189 cm	200,00 €



Code	Description	Measure	Pattern Measure	Price (€) / ad
ATS HVZ707	Glass Type 4.5 mm	25X25 mm	267x400 cm	700,00 €



Code	Description	Measure	Pattern Measure	Price (€) / ad
ATS HVZ708	Glass Type 4.5 mm	25X25 mm	252x283 cm	450,00 €



Code	Description	Measure	Pattern Measure	Price (€) / ad
ATS HVZ709	Glass Type 4.5 mm	25X25 mm	100x238 cm	180,00 €



Code	Description	Measure	Pattern Measure	Price (€) / ad
ATS HVZ710	Glass Type 4.5 mm	25X25 mm	284x284 cm	550,00 €

An underwater photograph of a swimming pool. The water is clear and blue. In the foreground, there are dark blue lane lines on the pool floor. A swimmer is visible in the distance, swimming towards the camera. The pool's edge and a white lane line are visible on the right side. The overall scene is bright and clear.

www.atlasgruphavuz.com



Atlaspool

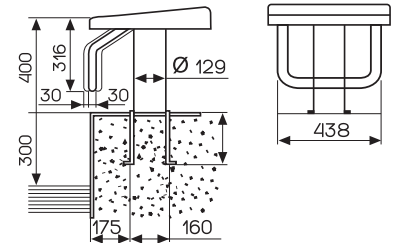
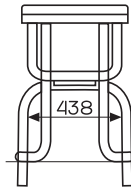
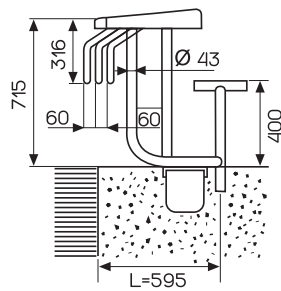


OLYMPIC POOL EQUIPMENTS

Starting Blocks

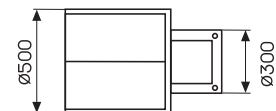
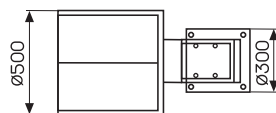
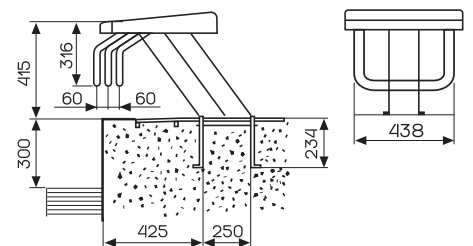
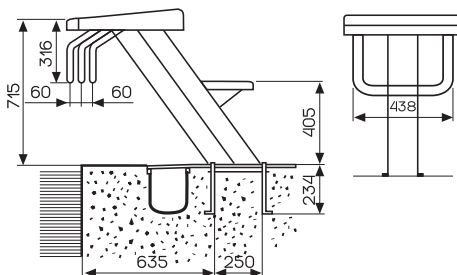


Code	Description	Kg / Pcs	Price (€)
ATS OLP001	400 mm Platform-AISI 304	10,50	562,00 €
ATS OLP002	700 mm Platform-AISI 304	11,00	731,00 €
ATS OLP003	400 mm Platform-AISI 316	10,50	593,00 €
ATS OLP004	700 mm Platform-AISI 316	11,00	770,00 €



Adjustable Starting Block

Code	Description	Kg / Pcs	Price (€)
ATS OLP005	400 mm Platform-AISI 304	17,50	917,00 €
ATS OLP006	700 mm Platform-AISI 304	23,50	1.161,00 €
ATS OLP007	400 mm Platform-AISI 316	17,50	1.192,00 €
ATS OLP008	700 mm Platform-AISI 316	23,50	1.510,00 €



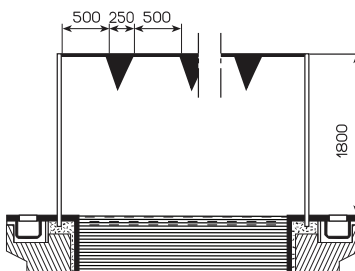
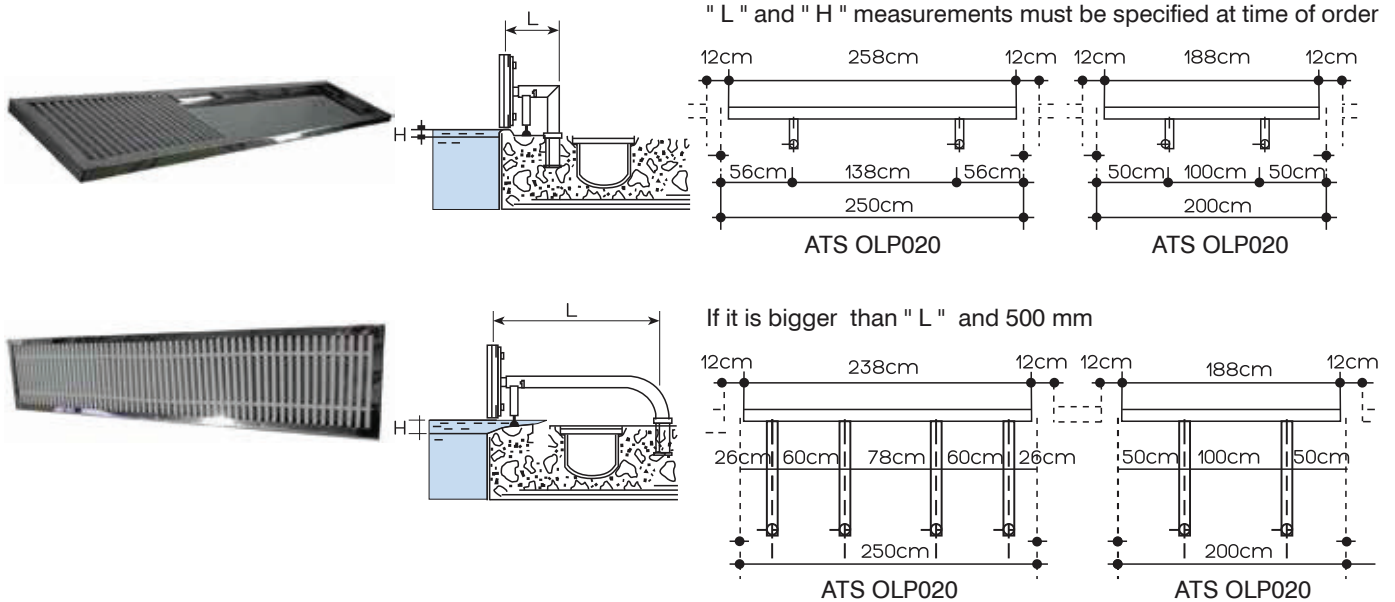


Return Panels

Code	Description	Kg / Pcs	Price (€)
ATS OLP009	Return Panel - Width 2 m	12,000	480,00 €
ATS OLP010	Return Panel - Width 2,5 m	14,000	540,00 €
ATS OLP011	Panel Bracket. AISI 304 Quality Stainless Steel	7,000	430,00 €

Return Panels: Plastic cage partition, AISI 304 Stainless steel frame
Height: 300mm. Excluding Panel back up panel

Note: Stainless steel anchors are not included in the price.



Backstroke Signpost

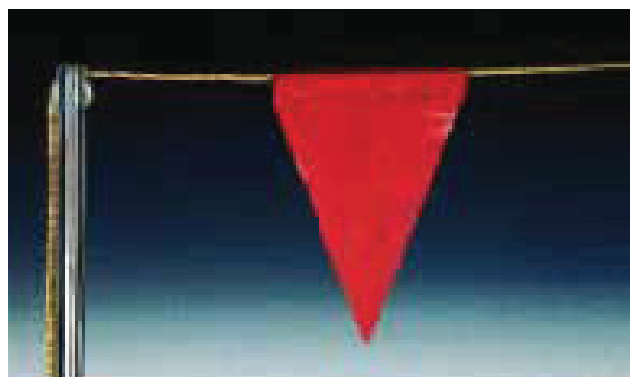
Code	Description	Kg / Pcs	Price (€)
ATS OLP012	Signpost - For Pool width 12,5 m - AISI 304	16,000	294,00 €
ATS OLP013	Signpost - For Pool width 25 m - AISI 304	14,000	355,00 €
ATS OLP014	Signpost - For Pool width 12,5 m - AISI 316	16,000	396,00 €
ATS OLP015	Signpost - For Pool width 25 m - AISI 316	14,000	478,00 €

Backstroke signpost - AISI 304 Stainless steel,
set of it Ø42mm pipes 2 pieces h= 1,18 m signpost,
plastic rod and flags

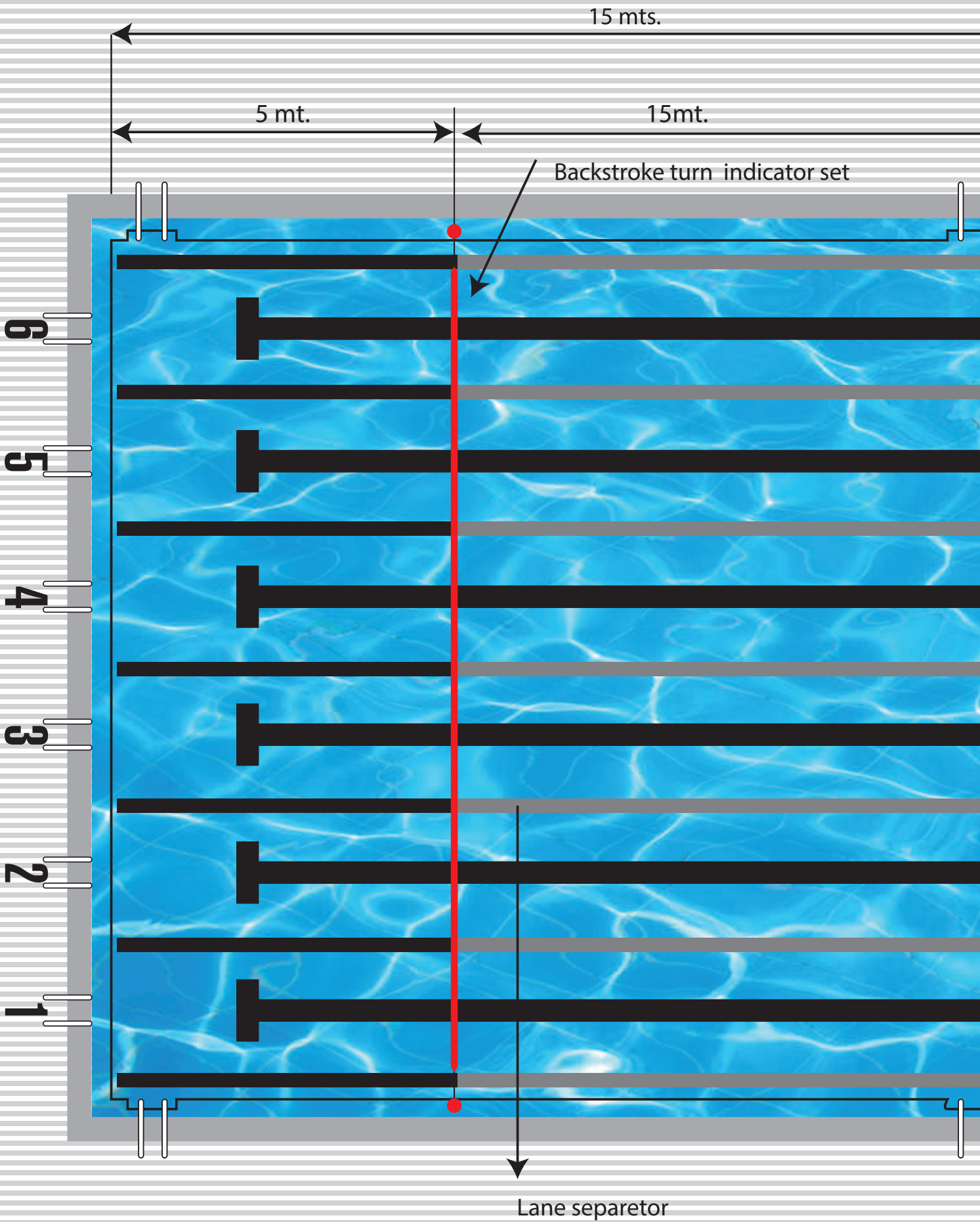
Ø 43 mm pipe for width 21 mt of pool

Ø 48 mm pipe for width 23 mt of pool

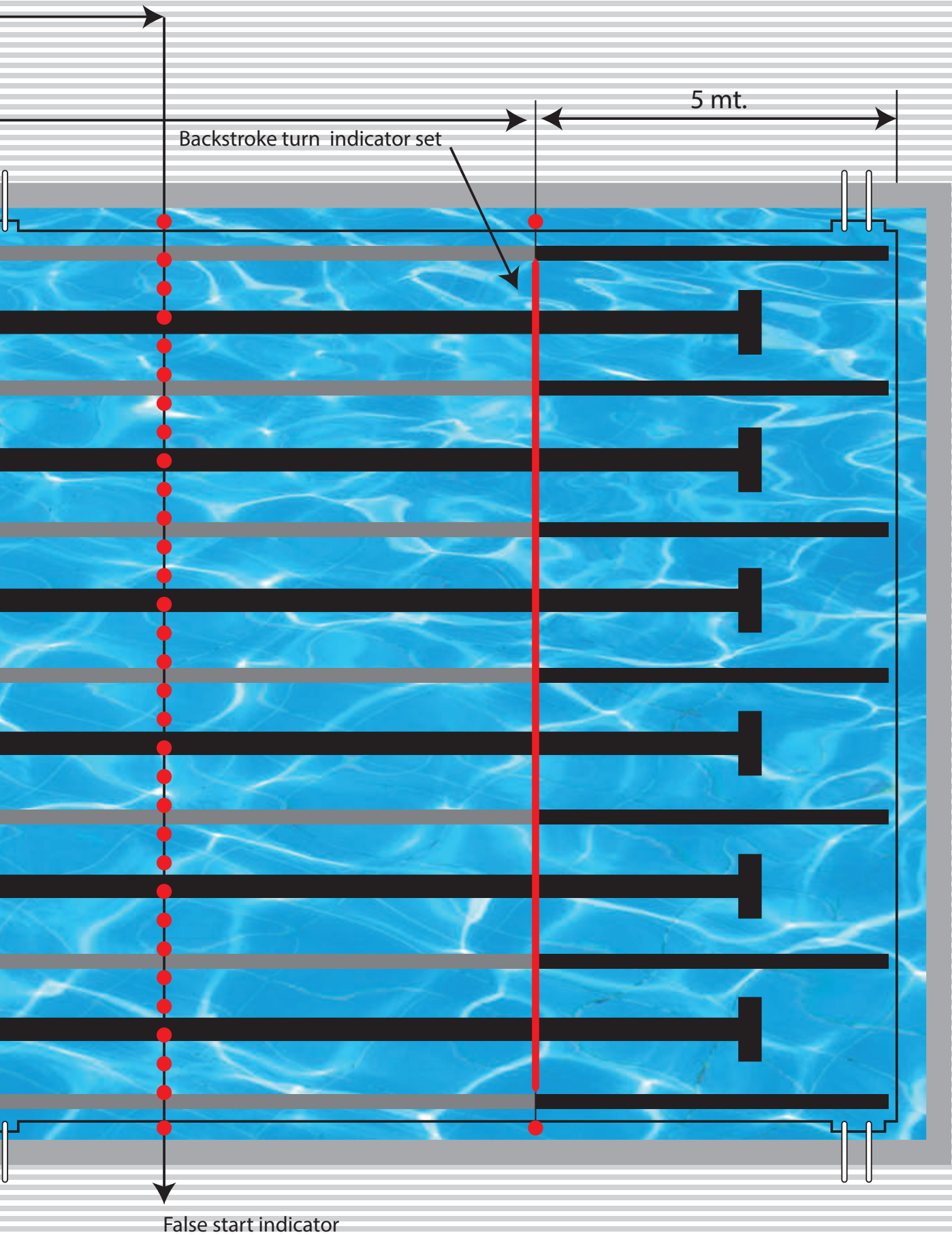
Note: Stainless Steel and anchors are not included in the price.

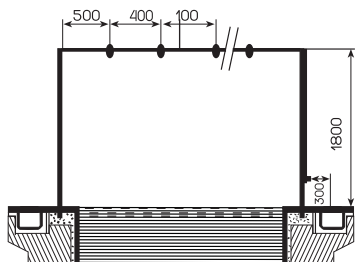


EQUIPMENT PLACEMENT



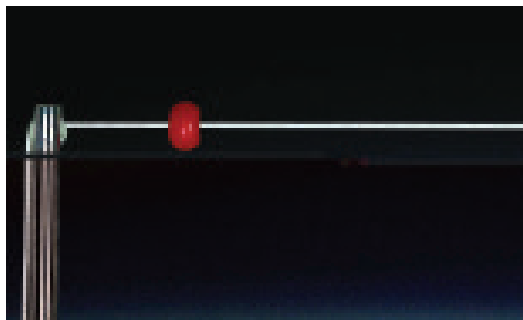
OF COMPETITION POOL





False Start Signpost

Code	Description	Kg / Pcs	Price (€)
ATS OLP016	Signpost - For Pool Widht 12,5 m - AISI 304	12,000	233,00 €
ATS OLP017	Signpost - For Pool Widht 25 m - AISI 304	14,000	257,00 €
ATS OLP018	Signpost - For Pool Widht 12,5 m - AISI 316	12,000	302,00 €
ATS OLP019	Signpost - For Pool Widht 25 m - AISI 316	14,000	334,00 €



False start signpost AISI 304 Stainless steel Ø42mm h:18 m 2 pieces pipes
 Consist of plastic rob, ball and float
 Ø 43 mm pipe for widht 21 mt of pool
 Ø 48 mm pipe for widht 25 mt of pool

Note :Stainless Steel and anchors are not included in the price.



Lane Rope Accessor Lane rope anchor

Code	Description	Kg / Pcs	Price (€)
ATS OLP020	Horizontal flanch anchoring socket for AISI 304 042 mm pipe	1,020	92,00 €
ATS OLP021	Angled flanged anchoring socket for AISI 304 042 mm pipe	1,020	92,00 €



Lane Rope Accessor Lane rope support anchor

Code	Description	Kg / Pcs	Price (€)
ATS OLP022	Overhead bracket - AISI 304	0,520	50,00 €

For concrete pool



Lane Rope Accessor Anchoring cup with central rod

Code	Description	Kg / Pcs	Price (€)
ATS OLP023	Anchoring Cup with Central Rod	0,460	55,00 €

For concrete pool



Lane Rope Accessor Retractable anchoring cup

Code	Description	Kg / Pcs	Price (€)
ATS OLP024	Piston Flat Anchor	0,566	55,00 €

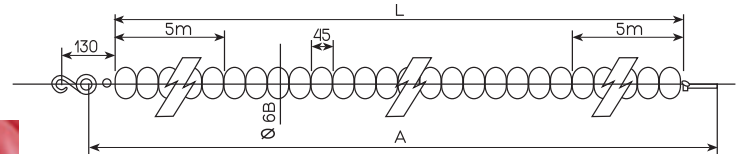
For pre-fabricated pool



Lane Rope Accessor Roma Model Lane

Code	Description	Kg / Pcs	Price (€)
ATS OLP025	Lane Separator - Lenght 25 m	8,700	330,00 €
ATS OLP026	Lane Separator - Lenght 50 m	14,400	685,00 €

Plane set: Plastic ball Polyester rope and hook. There are 24 separator balls in 1 m.



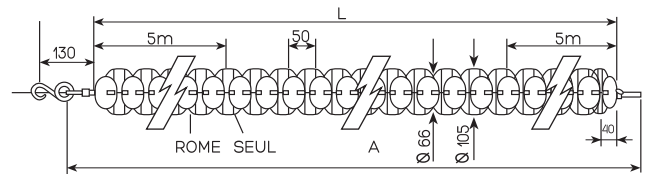
Code	L (m)	A (m)	Coloured Roma Separator Pieces	White Separator Pieces
ASY OLP025	25	27	232	318
ASY OLP026	50	52	232	868

Lane Rope Accessor Seul Model Lane



Code	Description	Kg / Pcs	Price (€)
ATS OLP027	Lane Separator - Lenght 25 m	23,700	575,00 €
ATS OLP028	Lane Separator - Lenght 50 m	47,400	1.165,00 €

Lane Set: Plastic ball Polyester rope and hook. There are 19 separator ball and 19 separator sections in 1 m.



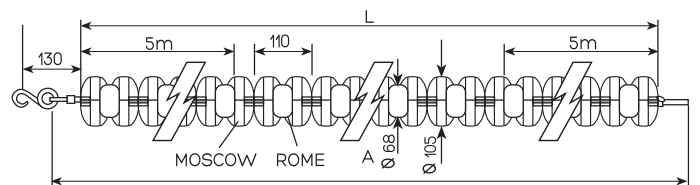
Code	L (m)	A (m)	Coloured Seul Separator Pieces	White Roma Separator Pieces	White Seul Separator Pieces	Coloured Roma Separator Pieces
ASY OLP027	25	27	178	178	268	269
ASY OLP028	50	52	178	178	174	715

Lane Rope Accessor Moscow Model Lane



Code	Description	Kg / Pcs	Price (€)
ATS OLP029	Lane Separator - Lenght 25 m	23,700	575,00 €
ATS OLP030	Lane Separator - Lenght 50 m	47,400	1.165,00 €

Lane Set: Plastic ball Polyester rope and hook. There are 19 separator ball and 19 separator sections in 1 m.

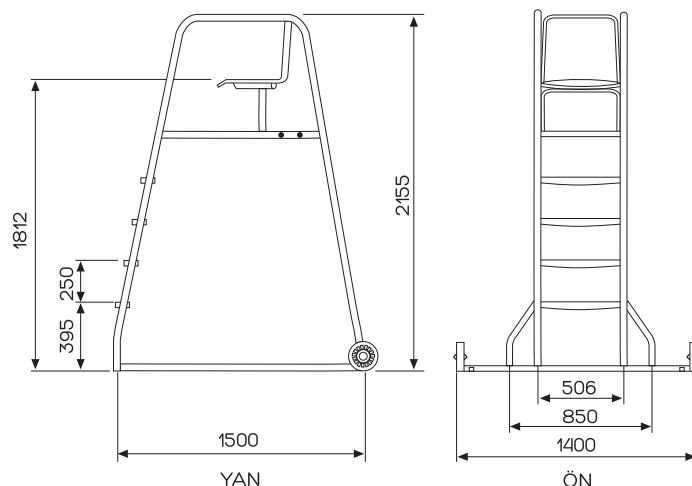


Code	L (m)	A (m)	Coloured Moscow Separator Pieces	White Roma Separator Pieces	White Moscow Separator Pieces	Coloured Roma Separator Pieces
ASY OLP029	25	27	192	96	192	143
ASY OLP030	50	52	192	96	192	378

Lane Rope Accessor Life Guard Chair

Code	Description	Kg / Pcs	Price (€)
ATS OLP031	Life Guard And Referee Chair AISI 304	-	1.225,00 €
ATS OLP032	Life Guard And Referee Chair AISI 316	-	1.650,00 €

Note: It is produced by Ø43 mm pipe



Lane Rope Accessor Chromed Lane Rope Ratchet



Code	Description	Kg / Pcs	Price (€)
ATS OLP037	Spring Model Sunborn and Chrome Casting Ratchet	0,686	110,00 €



Lane Rope Accessor Chromed Lane Rope Ratchet

Code	Description	Kg / Pcs	Price (€)
ATS OLP038	Double Edged Hooked Brass AISI 304	0,182	75,00 €

Lane Rope Accessor Lane Rope Roller

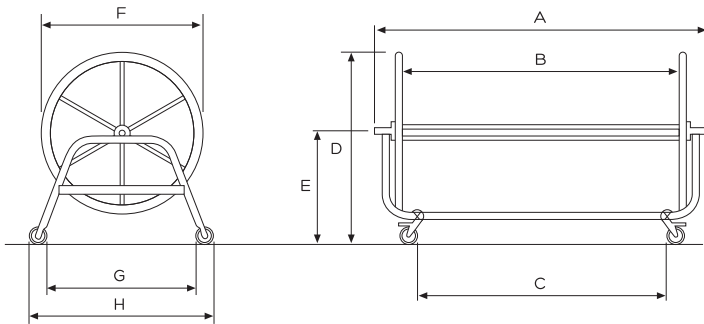


Code	Description	Kg / Pcs	Price (€)
ATS OLP033	Lane Rope Roller Wheel - Width 1,20 mt AISI 304	25,00	1.225,00 €
ATS OLP034	Lane Rope Roller Wheel - Width 1,80 mt AISI 304	30,00	1.835,00 €
ATS OLP035	Lane Rope Roller Wheel - Width 1,20 mt AISI 316	25,00	1.590,00 €
ATS OLP036	Lane Rope Roller Wheel - Width 1,80 mt AISI 316	30,00	2.385,00 €

Note: It is produced by Ø 43 mm pipe.

Lenght	A	B	C	D	E	F	G	H
1200 mm	1484	1135	974	1175	685	980	924	1130
1800 mm	2036	1684	1526					

SEPERATOR CAPACITY: Width1,80 m		
Seperator Model	25 m	50 m
Seul Model	6	3
Roma Model	12	6
Moskova Model	6	3



SEPERATOR CAPACITY: Width1,20 m		
Seperator Model	25 m	50 m
Seul Model	4	2
Roma Model	8	4
Moskova Model	4	2

Lane Rope Accessor Lane Rope Hook



Code	Description	Kg / Pcs	Price (€)
ATS OLP039	Lane Rope Hook - AISI 304	0,648	15,00 €

Lane Rope Spring

chrome plated seperator
stretcher brass cast



Code	Description	Kg / Pcs	Price (€)
ATS OLP040	Lane rope spring AISI 304	0,648	108,00 €

Disabled Access Ladders (Elevator)



Code	Description	Kg / Pcs	Price (€)
ATS OLP44	Battery-powered Disabled Access Ladders (Elevator)	280	12.000 €

ATSOLP044 TECHNICAL DATAS:

Carrying capacity 120 kg.

Electricity requirement is 220 V.

Dimension : Height = 116 cm Lenght= 150 cm widht :90 cm

ATSOLP045 TECHNICAL DATAS:

Carrying capacity 120 kg.

Electricity requirement is 12 V. Batory 6m r0 40-60 times.

Dimension : Height = 116 cm Lenght= 150 cm widht :90 cm



AREA OF USAGE:

Pool elevator is a reliable and aesthetic modern transportation tool that enables all persons with disabilities and disabled people to enter and leave the pools of hotel spa facilities etc in a comfortable way.



STAINLESS AND DURABLE

All of which are made from stainless steel materials that do not threaten health. It is hygienic for this reason. AISI 316 stainless steel, teflon and similar plastic materials used in elevato are not affected by water at all.

It can stay in water for a long time. Along with the special portable forklift, easily you can carry to any pool on institution. Provides 180 degree rotation.





Atlaspool



**FOUNTAIN
EQUIPMENTS**

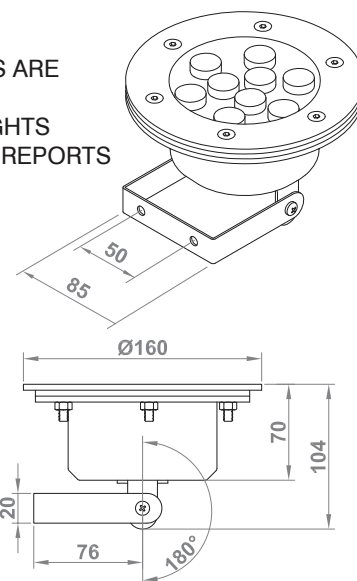
Stainless Steel Fountain Led Lights



Code	W	Description	Kg / Pcs	Price (€)
ATS SUS200	3W	RGB (4 CABLE) UNICOLOR (2 CABLE) 12V-DC	-	60,00 €
ATS SUS201	6W	RGB (4 CABLE) UNICOLOR (2 CABLE) 12V-DC	-	78,00 €
ATS SUS202	9W	RGB (4 CABLE) UNICOLOR (2 CABLE) 12V-DC	-	96,00 €
ATS SUS203	12W	RGB (4 CABLE) UNICOLOR (2 CABLE) 12V-DC	-	120,00 €
ATS SUS204	18W	RGB (4 CABLE) UNICOLOR (2 CABLE) 12V-DC	-	168,00 €

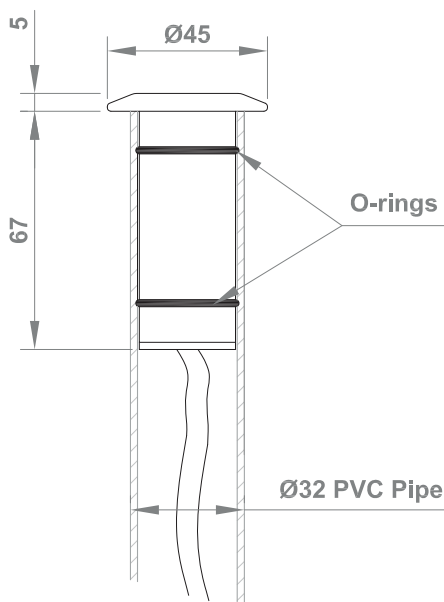
RGB CONTROL PANEL - REMOTE CONTROL - MODULATOR - NET PRICE: 200€ /PCS WITH 10 FOUNTAIN LIGHTS

ADD 16 EURO FOR FOOTED REQUEST.
PLEASE WRITE WHICH UNICOLOR YOU REQUIRE . UNICOLORS ARE WHITE-COLD WHITE-DAYLIGHT-BLUE-RED-GREEN-YELLOW.
ASK FOR CONTROL PANEL PRICES OF SPECIAL FOUNTAIN LIGHTS WITH MULTI CONNECTION. CE,IP 68 CERTIFICATES AND TEST REPORTS



LED Armature Mounted Ø32 Pipe

Code	Description	Price (€)
ATS SUS024	Stainless 1 W/5V AC Unicoloure Light- 1 Led / Ø32 "	52,00 €
ATS SUS025	Stainless 1 W/5V DC Full RGB Light-1 Led/ Ø32 "	62,00 €





Chrome Framed Led Light Armature

Code	Description	Price (€)
ATS SUS026	Chrome Plating 3 W/12V AC Unicoloure Light- 3 Power Led / Ø63	85,00 €
ATS SUS028	Chrome Plating 3 W/12V DC Full RGB Light-3 Power Led / Ø63	97,00 €
ATS SUS093	Chrome Plating 3 W/12V AC Unicoloure Light- 3 Power Led (Footed Light)	88,00 €
ATS SUS094	Chrome Plating 3 W/12V DC Full RGB Light-3 Power Led / Ø63 (FootedLight)	100,00 €



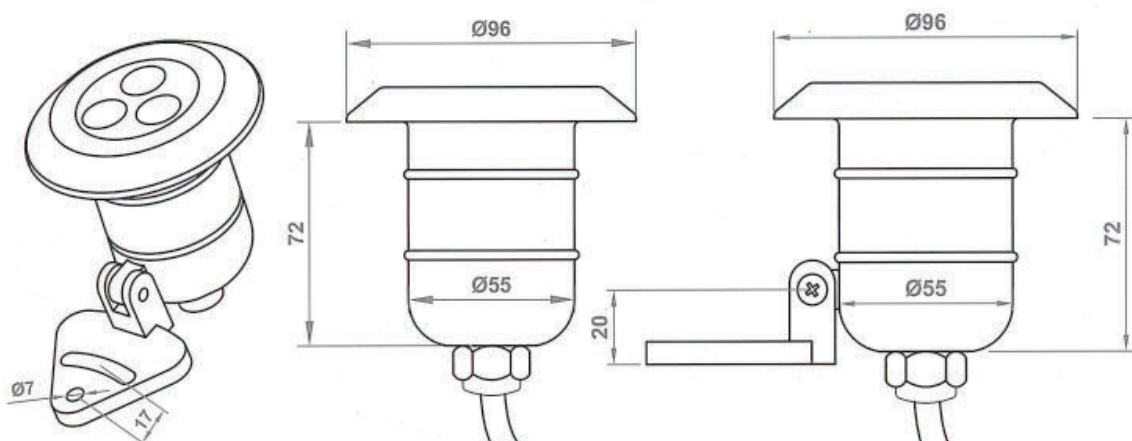
Plastic Led Light Armature

Code	Description	Price (€)
ATS SUS035	Plastic 3W/12V AC Unicoloure Light- 3 Power Led / Ø63 (2 Cable)	52,00 €
ATS SUS037	Plastic 3W/12V DC Full RGB Light-3 Power Led / Ø63 (4 Cable)	93,00 €
ATS SUS096	Plastic 3W/12V AC Unicoloure Light- 3 Power Led (footed light) (2 Cable)	54,00 €
ATS SUS097	Plastic 3W/12V DC Full RGB Light-3 Power Led / Ø63 (footed light) (4 Cable)	96,00 €

Unicoloure Options: White, day light, blue, green, red.

Cable Length: 1,20 mt . IP 68 protection.

Chrome plated: Plastic body only covers the front frame.

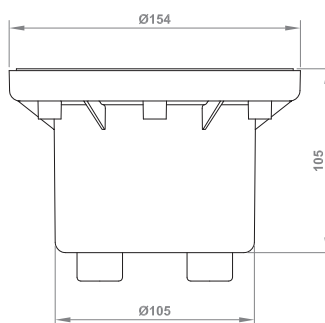
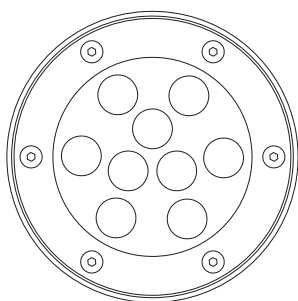




**Special Type Led
Light Armature With Niche**

Code	Description	Kg / Pcs	Price (€)
ATS SUS029	Chrome 6 W/12V AC Unicoloure Light - 6 Leds	-	155,00 €
ATS SUS030	Chrome 9 W/12V AC Unicoloure Light - 9 Leds	-	165,00 €
ATS SUS033	Chrome 6 W/12V AC Full RGB Light - 6 Leds	-	180,00 €
ATS SUS034	Chrome 9 W/12V DC Full RGB Light - 9 Leds	-	190,00 €

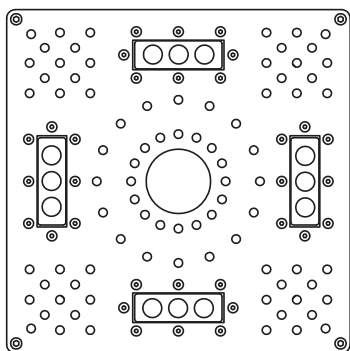
Unicoloure Options: White, day light, blue, green, red.
Cable Length: 1,20 mt. IP 68 protection.



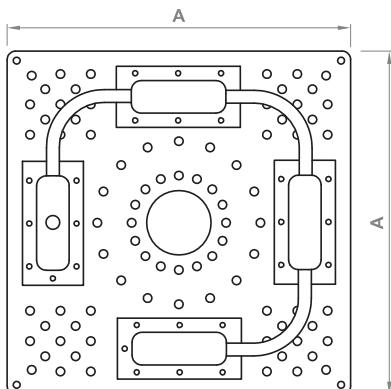
**Atlaspool
Fountain Perforated Led Light**

Code	Description	Kg / Pcs	Price (€)
ATS SUS039	30x30 Stainless Square Type 12W/12V DC 12 Power Led Full RGB Armature	-	330,00 €
ATS SUS097	40x40 Stainless Square Type 12W/12V AC 12 Power Led Unicolor Armature	-	355,00 €
ATS SUS098	40x40 Stainless Square Type 12W/12V DC 12 Power Led Full RGB Armature	-	345,00 €
ATS SUS099	50x50 Stainless Square Type 12W/12V AC 12 Power Led Unicolor Armature	-	395,00 €
ATS SUS100	50x50 Stainless Square Type 12W/12V AC 12 Power Led Full RGB Armature	-	420,00 €

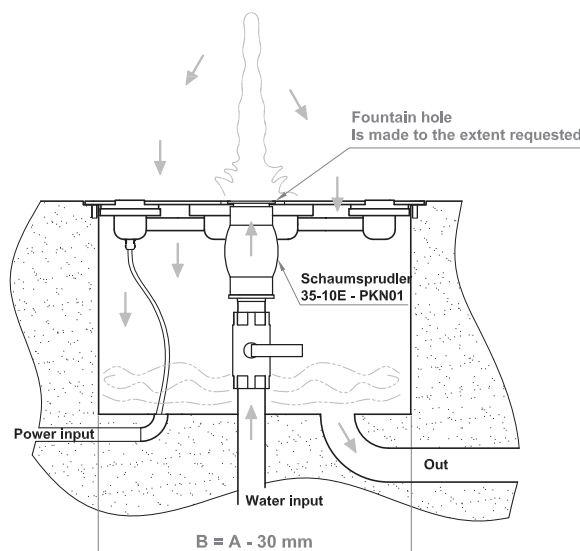
Unicoloure Options: White, day light, blue, green, red.
Cable Length: 1,20 mt. IP 68 protection.



Top view



Bottom view

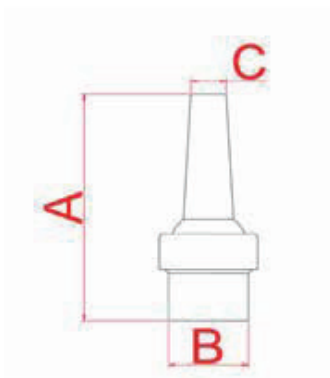


WATER JET NOZZLES CHROME PLATED ON BRASS



Water Jet Nozzles Chrome Plated on Brass

Code	Model	Inlet DIA	Price (€)
ATS SUS208	3/6 T	3/8"	9,00 €
ATS SUS209	5/8 T	1/2"	13,00 €
ATS SUS210	5/10 T	1/2"	13,00 €
ATS SUS211	8/10 T	3/4"	19,00 €
ATS SUS212	10/10 T	1"	29,00 €
ATS SUS213	10/12 T	1"	29,00 €
ATS SUS214	15/17 T	1 1/2"	79,00 €
ATS SUS215	15/20 T	1 1/2"	79,00 €
ATS SUS216	20/20 T	2"	110,00 €



Finger Nozzle	1/2" Su Jeti	3/4" Su Jeti	1" Su Jeti	1 1/2" Su Jeti
A	93	104	107	157
B	21,3	26,9	33,7	48,3
C	8	10	12-14	17
GR	100	195	246	780

- ONLY BRASS MODEL AND SELF VALVES OPTIONALY AS REQUIRED CAN BE PRODUCED.
- ALL STANDARD TYPES ARE FEMALE MODEL.
- AS PER REUIREMENT CAN BE PRODUCED MALE MODEL.

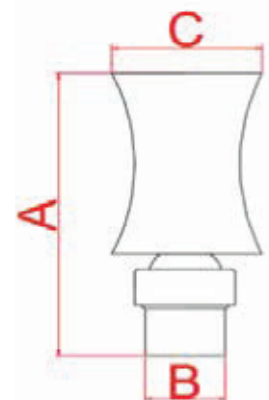
WATER JET NOZZLES CHROME PLATED ON BRASS



Stainless Steel Cascade Nozzles

Code	Model	Inlet	Price (€)
ATS SUS217	50 T	1"	43,00 €
ATS SUS218	70 T	1 1/2"	70,00 €
ATS SUS219	90 T	2"	95,00 €
ATS SUS220	110 T	2 1/2"	180,00 €
ATS SUS221	130 T	3"	250,00 €

Finger Nozzle	50T	70T	90T	110T	130T
A	140	200	250	300	350
B	33,7	48,3	60,3	76,1	88,9
C	50	70	90	110	130
GR	365	755	1280	2440	2900



BRASS CASCADE NOZZLES



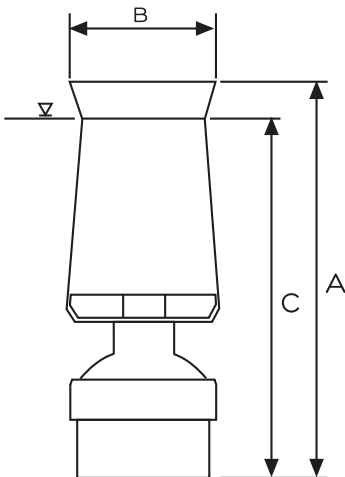
Brass Cascade
Nozzles

Code	Model	Inlet	Price (€)
ATS SUS222	50 T Female Threaded	1 "	64,00 €
ATS SUS223	70 T Female Threaded	1 1/2 "	95,00 €
ATS SUS224	90 T Female Threaded	2 "	126,00 €

ASK FOR PRICE FOR 110 T - 130 T

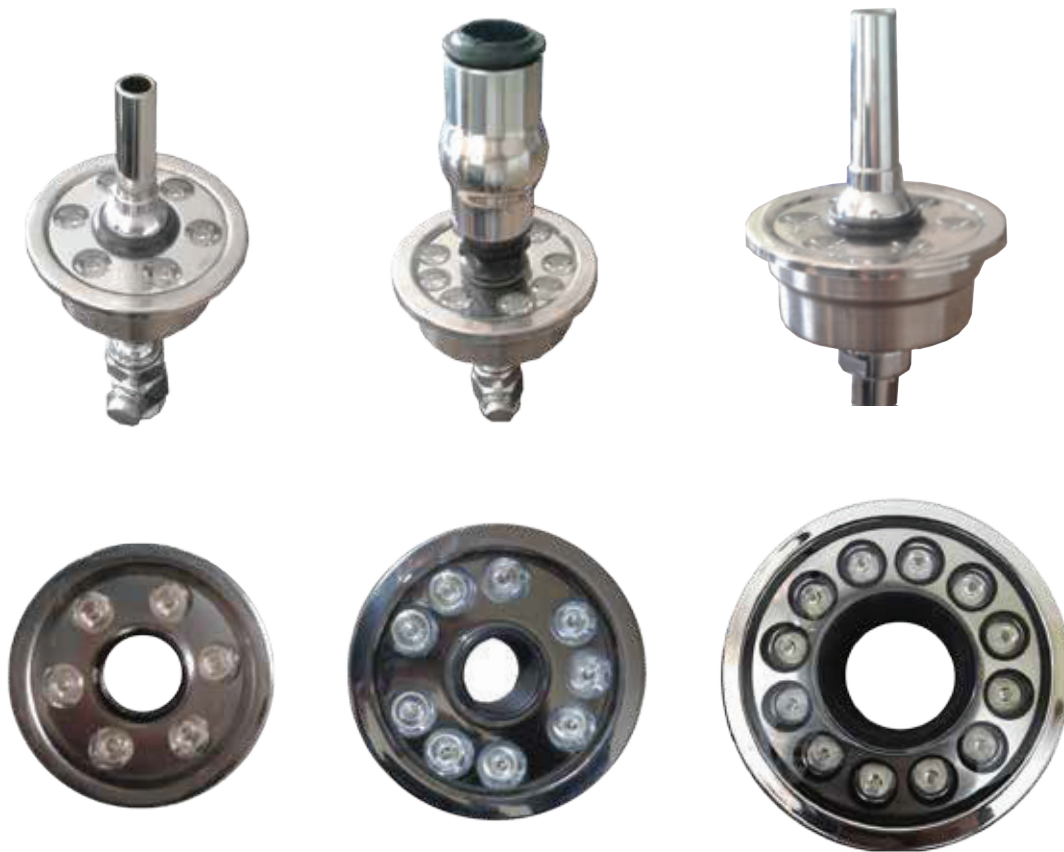


Waterfall Gayser	50T	70T	90T	110T	130T
A	136 mm	182 mm	243 mm	230 mm	340 mm
B	51 mm	75 mm	80 mm	96 mm	135 mm
C	118 mm	153 mm	187 mm	200 mm	295 mm
Material	Yellow	Yellow	Yellow	Yellow	Yellow



Height	50T 1"		70T 1 1/2"		90T 2"		110T 2 1/2"		130T 3"	
	m³/h	mss	m³/h	mss	m³/h	mss	m³/h	mss	m³/h	mss
1,00	2,63	4,10	5,82	4,00	9,43	3,30	19,57	2,90	22,78	3,60
2,00	3,49	7,30	7,48	6,60	12,49	5,80	21,44	5,30	29,30	6,00
3,00	4,49	12,00	8,84	9,20	14,95	8,30	22,92	7,60	34,63	8,40
4,00	4,78	13,60	10,01	11,80	17,06	10,90	26,23	10,00	39,25	10,80
5,00	5,30	16,80	11,07	14,40	18,95	13,40	29,18	12,30	43,38	13,40
6,00			12,04	17,10	20,66	15,90	31,86	14,70	47,20	15,50
7,00			12,93	19,70	22,25	18,50	34,35	17,10	50,70	17,90
8,00					23,74	21,00	36,66	19,50	54,00	20,40
10,00					26,48	26,10	40,94	24,20	60,06	25,20
12,00							44,82	29,10	65,64	30,10
14,00							48,41	33,90	70,80	35,00
(Metre)	Calculations from elbow losses that may be experienced should be taken into account									

STAINLESS STEEL FOUNTAIN LED LIGHTS WITH NOZZLE HOLES



Stainless Steel Led Lights With Nozzle Holes

Code	Model	Inlet	Price (€)
ATS SUS205	6W	RGB-UNICOLOUR	96,00 €
ATS SUS206	9W	RGB-UNICOLOUR	126,00 €
ATS SUS207	12W	RGB-UNICOLOUR	134,00 €

- PRICES DO NOT INCLUDE NOZZLES

SS FOAM NOZZLE



STAINLESS STEEL FOAM NOZZLE
WITH PLASTIC INTERNAL PART

Code	Model	Inlet	Price (€)
ATS SUS225	35-10E	1 "	45,00 €
ATS SUS226	55-10E	1 "	75,00 €
ATS SUS227	55-10E	1 1/2 "	80,00 €
ATS SUS228	75-20E	2 "	172,00 €



STAINLESS STEEL FOAM NOZZLE
WITH BRASS INTERNAL PART

Code	Model	Inlet	Price (€)
ATS SUS229	20-10E	1/2 "	38,00 €
ATS SUS230	25-10E	3/4 "	47,00 €
ATS SUS231	30-10E	1 "	65,00 €
ATS SUS232	55-15E	1 1/2 "	152,00 €
ATS SUS233	75-20E	2 "	246,00 €

SS GAYZER FOAM NOZZLE



STAINLESS STEEL GAYZER FOAM NOZZLE

Code	Model	Inlet	Price (€)
ATS SUS234	20T	1 "	65,00 €
ATS SUS235	40T	1 1/2 "	86,00 €
ATS SUS236	60T	2 "	93,00 €
ATS SUS237	80T	2 1/2 "	175,00 €
ATS SUS238	100T	3 "	202,00 €



STAINLESS STEEL
FOAM NOZZLES - TWO PIPES

Code	Model	Inlet	Price (€)
ATS SUS239	744 P	1 "	88,00 €
ATS SUS240	746 P	1 1/2 "	110,00 €
ATS SUS241	747 P	2 "	157,00 €

VOLCANO FOUNTAIN NOZZLE



VOLCANO FOUNTAIN NOZZLE

Code	Model	Inlet	Price (€)
ATS SUS242	3 STAGE BRASS	1 "	95,00 €
ATS SUS243	3 STAGE BRASS	2 "	220,00 €



VOLCANO FOUNTAIN NOZZLE

Code	Model	Inlet	Price (€)
ATS SUS244	3 STAGE PLASTIC WITH SS JETS	1 "	38,00 €
ATS SUS245	3 STAGE PLASTIC WITH SS JETS	2 "	95,00 €

WATER BELL AND LILY NOZZLES



STAINLESS STEEL NOZZLE WATER BELL

Code	Model	Inlet	Price (€)
ATS SUS246	30-10T	1 "	79,00 €
ATS SUS247	45-10T	1 "	85,00 €
ATS SUS248	60-10T	1 "	92,00 €
ATS SUS249	100-10T	1 "	98,00 €



STAINLESS STEEL NOZZLE LILY

Code	Model	Inlet	Price (€)
ATS SUS250	30-10T	1 "	79,00 €
ATS SUS251	45-10T	1 "	85,00 €
ATS SUS252	60-10T	1 "	92,00 €
ATS SUS253	100-10T	1 "	98,00 €

ROTATING NOZZLES



ROTATING WATER FOUNTAIN NOZZLES

Code	Model	Inlet	Price (€)
ATS SUS254	DANCING	1 "	189,00 €
ATS SUS255	5 HEADS SPIRALS	1" 1 1/2"	252,00 €
ATS SUS256	6 HEADS SPIRALS	1" 1 1/2"	252,00 €

FAN AND FINGER JET NOZZLE



FAN AND FINGER JET
FOUNTAIN NOZZLE

Code	Model	Inlet	Price (€)
ATS SUS286	SS FAN NOZZLE	1"	110,00 €
ATS SUS287	BRASS FAN NOZZLE	1"	63,00 €
ATS SUS288	SS FINGER JET WITH 7 HEADS	1"	157,00 €
ATS SUS289	BRASS FINGER JET WITH 19 HEADS	1"	126,00 €

WATER SPHERE NOZZLES



WATER SPHERE NOZZLES

Code	Model	Inlet	Price (€)
ATS SUS258	900-37 E	30 M ³ Ø90	ASK FOR PRICES
ATS SUS259	1200-79 E	55 M ³ Ø120	
ATS SUS260	1500-127 E	85 M ³ Ø150	
ATS SUS261	2500-127 E	85 M ³ Ø250	

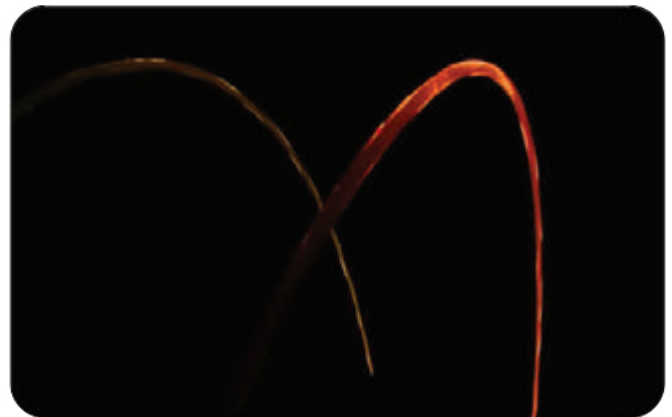
BALL SPHERE NOZZLE



**STAINLESS STEEL BALL
SPHERE FOUNTAIN NOZZLE**

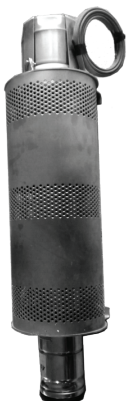
Code	Model	Inlet	Price (€)
ATS SUS262	Ø50 CM	1 "	ASK FOR PRICES
ATS SUS263	Ø60 CM	1 "	
ATS SUS264	Ø80 CM	1 "	
ATS SUS265	Ø100 CM	1 1/2"	
ATS SUS266	Ø150 CM	2"	

SS SUBMERCIBLE PUMPS AND MOTORS



**JUMPING JET
FOUNTAIN NOZZLES**

Code **ATS SUS277** PLEASE ASK FOR PRICES



**STAINLESS STEEL SUBMERCIBLE
PUMPS AND MOTORS**

Code **ATS SUS278** PLEASE ASK FOR PRICES



FIBERGLASS
WATERFALL SYSTEMS

PLEASE ASK FOR PRICES

WATERFALL SYSTEMS



Code ATS SUS279



Code ATS SUS280



Code ATS SUS281

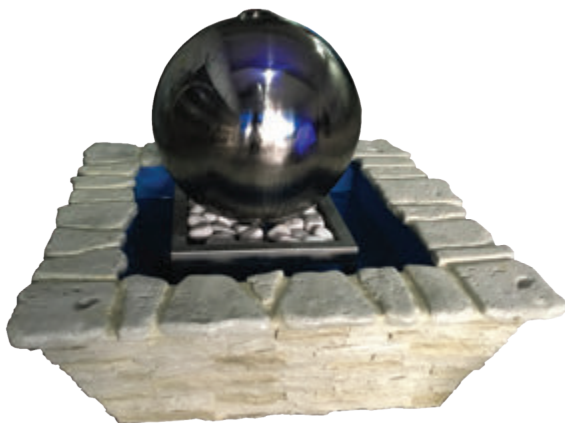


Code ATS SUS282



Code ATS SUS283

FIBERGLASS POOL SYSTEM



Code ATS SUS284



Code ATS SUS285

PORTABLE POOLS WITH SPECIAL DIA AND DIMENSIONS

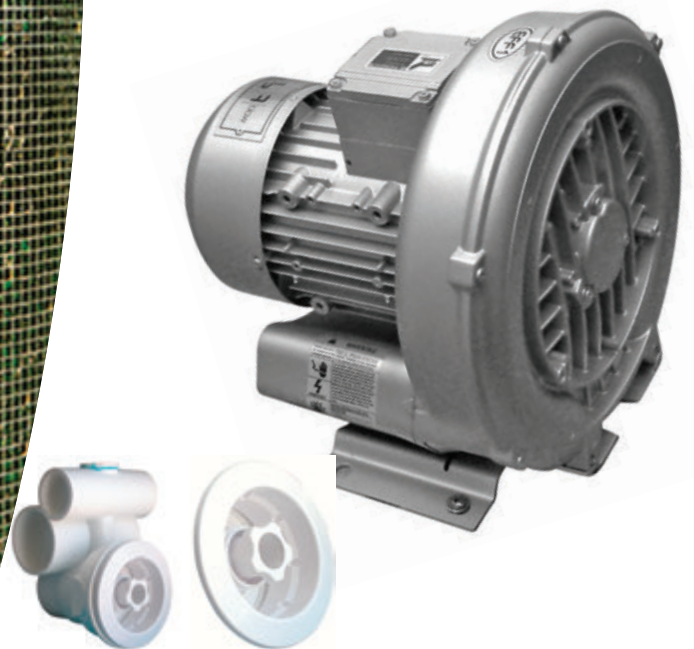
SWIMMING POOL COVER SYSTEM



Please specify the dimension of area or pool size for price.



Atlaspool



SPA PRODUCTS



Freedom Jet

Code	Description	Kg / Pcs	Price (€)
ATS SPA001	50x32 Freedom Jet Trunk	0,40	27,00 €
ATS SPA002	Freedom Jet Nozzle (Trim Kit)	0,09	20,00 €

50 mm Water x32 mm air massage nozzle made of Plastic



Ekonomic Jet

Code	Description	Kg / Pcs	Price (€)
ATS SPA003	50x32 Ekonomic Jet Trunk	0,40	25,00 €
ATS SPA004	Standard Straight Nozzle	0,15	16,00 €
ATS SPA005	Straight Type Adjustable Nozzle	0,15	17,50 €
ATS SPA006	Drop Type Adjustable Nozzle	0,15	17,50 €

50 mm Water x 32 mm air massage nozzle made of Plastic



Manga Jet

Code	Description	Kg / Pcs	Price (€)
ATS SPA007	50 x 32 Ekonomic Jet Trunk	0,40	45,00 €
ATS SPA008	Double Edge Adjustable Nozzle	0,12	35,00 €
ATS SPA009	Single Edge Adjustable Nozzle	0,12	35,00 €

50 mm Water x 32 mm air massage nozzle made of Plastic



Air Controller

Code	Description	Kg / Pcs	Price (€)
ATS SPA010	3/4 " Air Controller Stopper	0,03	18,00 €
ATS SPA011	1 1/4 " Air Controller Stopper	0,03	24,00 €
ATS SPA012	Economic Air Controller Stopper	0,03	10,50 €



Air Blower Nozzle

Code	Description	Kg / Pcs	Price (€)
ATS SPA013	High-pressure 1" 16 holes ABS	0,02	20,00 €
ATS SPA015	Blower Nozzle	0,01	7,00 €

Pneumatic Pressbutton



Code	Description	Kg / Pcs	Price (€)
ATS SPA016	ABS Pneumatic pressbutton	0,02	20,00 €
ATS SPA017	Chrome Pneumatic pressbutton	0,02	24,00 €
ATS SPA018	Economic Pneumatic pressbutton	0,02	9,00 €

Main Drain



Code	Description	Kg / Pcs	Price (€)
ATS SPA019	50 mm Perforated type main drain	0,04	27,00 €
ATS SPA020	50 mm Glued type	0,04	24,00 €
ATS SPA021	50 mm Chrome threaded type	0,04	28,00 €

PVC Flex Hose



Code	Description	Kg / Pcs	Price (€)/mt
ATS SPA022	D 20 PVC Jacuzzi Hose- 25 mt	-	2,00 €
ATS SPA023	D 32 PVC Jacuzzi Hose- 25 mt	9,45	3,50 €
ATS SPA024	D 50 PVC Jacuzzi Hose- 25 mt	18,20	8,00 €
ATS SPA025	D 63 PVC Jacuzzi Hose- 25 mt	26,30	10,50 €

Pneumatic Switch



Code	Description	Kg / Pcs	Price (€)
ATS SPA026	Pneumatic Switch Distance 5 mt	-	17,50 €
ATS SPA027	Pneumatic Hose (1 mt)	-	1,00 €
ATS SPA028	Pneumatic Switch - Complete with contactor and fuse for up to 4 kW triple pumps. Mounted in imported plastic box	0,75	266,00 €

Spa Light

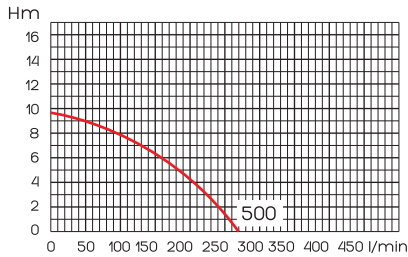


Code	Description	Kg / Pcs	Price (€)
ATS SPA029	50w/12v Slip Trunk With Plastic Frame	2,00	43,00 €
ATS SPA030	50w/12v Treaded Trunk With Plastic Frame	2,00	43,00 €
ATS SPA031	50w/12v Slip Trunk With Chrome Cover Frame	2,30	100,00 €
ATS SPA032	Concrete Transitional Part, One Side Sealing Cable Adapter	1,00	22,50 €

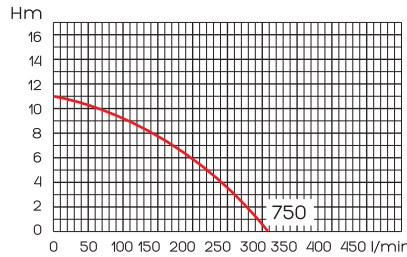
Spa Series



Code	Description	Flow	Kg / Pcs	Price (€)
ATS SPA033	SPA Pump PF 500 0,70 hp /0,53 kw	16,2	5,60	100,00 €
ATS SPA034	SPA Pump PF 750 0,90 hp /0,75 kw	18,4	6,00	126,00 €
ATS SPA035	SPA Pump PF 1000 1,20 hp /0,90kw	20,2	7,45	170,00 €
ATS SPA036	SPA Pump UA 200 2,00 hp / 1,50 kw	24,0	13,50	290,00 €



Whirlpool Pump
Single Phase - Thermal Protection



Whirlpool Pump
Single Phase - Thermal Protection



Whirlpool Pump
Single Phase - Thermal Protection



Jetsetter Portable Jacuzzi

Code	Description	Kg / Pcs	Price (€)
ATS SPA038	Portable Jacuzzi for 3 persons	204	20.750,00 €



Seating capacity	3 persons
Dimensions	2,13 m x 1,65 m x 0,74 m h
Water capacity	852 Liters
Weight	215 kg empty, 1.305 kg full
Inside of Color	Pearl & White
Outside of Color	Gray, Teak, Mocha
Jets	1 Moto-Masaj® Jeti 1 Jet Stream 2 rotary hydro massage jet 1 linear hydro massage jet 4 Hydro Stream Jeti 4 Precision® Jet
Filter Pump	Silent Flo - 5000
Jet Pump	Wavemaster® 9000 2,5 HP
Lighting	Luminescence® dört renk
Control system	IQ 2020™ LCD Screen
Heater	No-Fault® 1500W
Ozone System	Fresh Water® III

Blowers

Single Stage

Model	Power kW	Çıkış Çapı	Debi	0 mbar	10 mbar	20 mbar	30 mbar	40 mbar	50 mbar	60 mbar	70 mbar	80 mbar	90 mbar	100 mbar	Price (€)
CL 20 HS	0,22	1 1/2"	m³/h	54	48	42	36	30	22	10	0				530,00 €
CL 20 HS	0,38	1 1/2"	m³/h	74	72	69	64	58	52	47	40	31	20	0	610,00 €

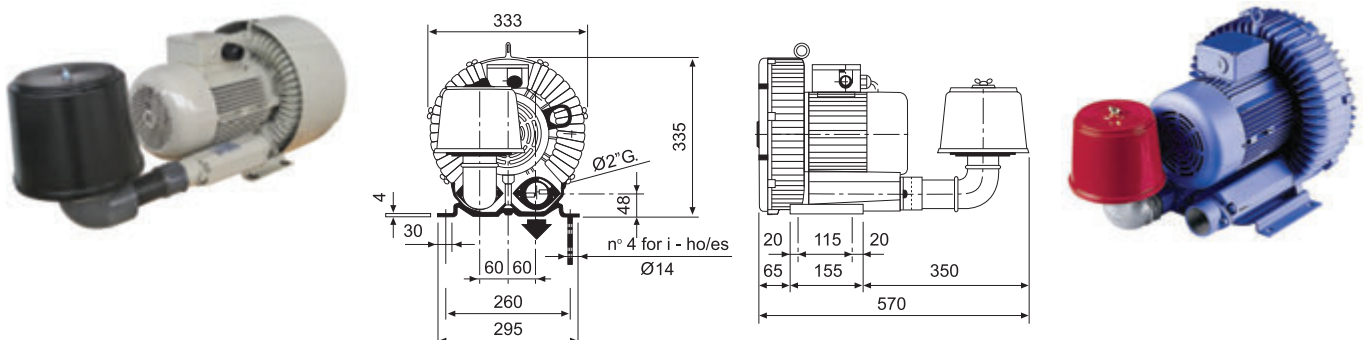
Single Stage

Model	Güç kW	Çıkış Çapı	Debi	0 mbar	100 mbar	150 mbar	200 mbar	250 mbar	300 mbar	350 mbar	400 mbar	450 mbar	500 mbar	550 mbar	600 mbar	650 mbar	Price (€)
CL 40 HS	1,1	1 1/2"	m³/h	150	90	59	30										674,00 €
CL 50 HS	1,5	2"	m³/h	212	151	116	82										855,00 €
CL 50 HS	2,2	2"	m³/h	212	151	116	82	50									888,00 €
CL 60 HS	3	2"	m³/h	300	230	192	155	117									1.119,00 €
CL 60 HS	4	2"	m³/h	300	230	192	155	117	82								1.210,00 €
CL 80 ZHS	5,5	2 1/2"	m³/h	518	418	380	344	308	272								2.280,00 €
CL 80 ZHS	7,5	2 1/2"	m³/h	518	418	380	344	308	272	236	200						2.558,00 €

Double Stage

Model	Güç kW	Çıkış Çapı	Debi	0 mbar	100 mbar	150 mbar	200 mbar	250 mbar	300 mbar	350 mbar	400 mbar	450 mbar	500 mbar	550 mbar	600 mbar	650 mbar	Price (€)
CL 220 HS	0,7	1 1/4"	m³/h	86	58	44	31	20 (240 m bar)									975,00 €
CL 420 HS	1,5	1 1/2"	m³/h	154	122	106	90	74									1.382,00 €
CL 420 HS	2,2	1 1/2"	m³/h	154	122	106	90	74	58	42	26						1.505,00 €
CL 520 HS	3	2"	m³/h	236	203	185	167	249	131	113	95						1.999,00 €
CL 520 HS	4	2"	m³/h	236	203	185	167	249	131	113	95	77	65 (480 m bar)				2.168,00 €
CL 720 HS	3	2"	m³/h	324	288	270	252										2.310,00 €
CL 720 HS	4,3	2"	m³/h	324	288	270	252	234	216	198							2.513,00 €
CL 720 HS	5,5	2"	m³/h	324	288	270	252	234	216	198	171	153					2.840,00 €
CL 720 HS	7,5	2"	m³/h	324	288	270	252	234	216	198	171	153	135				3.054,00 €
CL 2R8	7,5	2 1/2"	m³/h	548	499	480	451	425	403	378							4.486,00 €
CL 2R8	11	2 1/2"	m³/h	548	499	480	451	425	403	378	354	330	306	275	250		4.705,00 €

Note: Inlet filters and output muffler is included in price

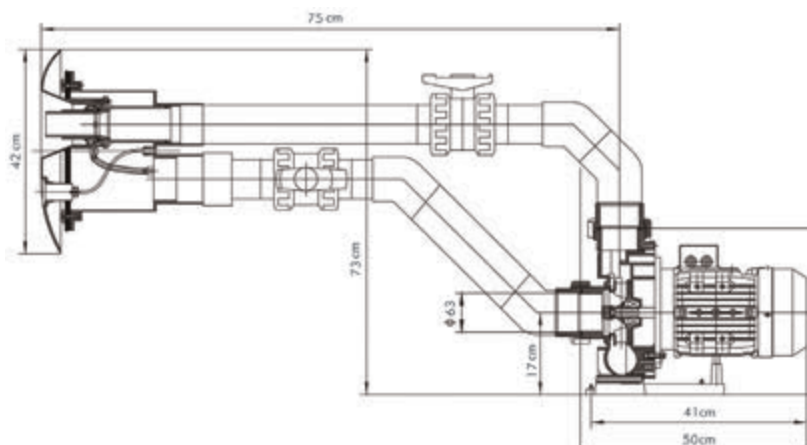
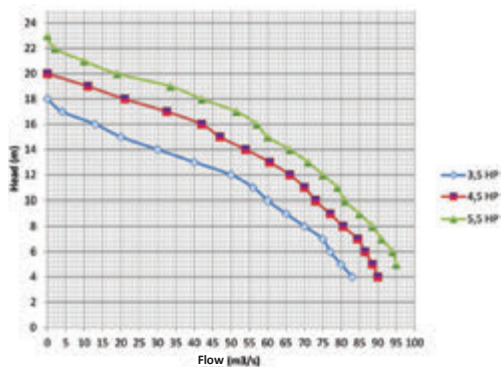
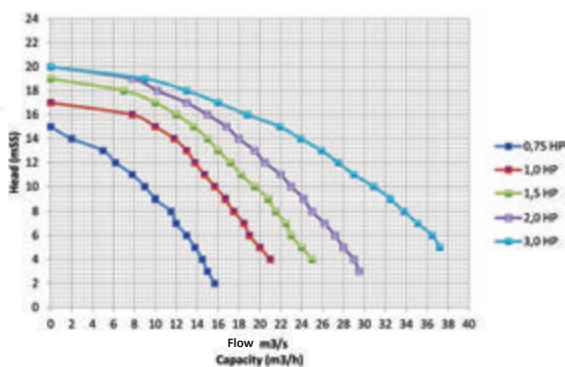




Counter Current System

Code	Description	Price (€)
ATS SPA039	3,00 Hp Atlaspool pump Jet Stream	1.545,00 €
ATS SPA040	3,50 Hp Atlaspool pump Jet Stream	1.880,00 €
ATS SPA041	4,50 Hp Atlaspool pump Jet Stream	1.925,00 €
ATS SPA042	5,50 Hp Atlaspool pump Jet Stream	1.960,00 €
ATS SPA043	Ellipse model niche and front frame kit	820,00 €

Jet pumps, pneumatic ,switchgear, valves and fittings set adjustable nozzle in pool.It made of Abs.
Suction line Ø75 Pumping line Ø63. The inlet line can be installed below the water level by the inlet check valve.
Counter curren system installation is very easy. It is possible to use pump in various kW when requested.





Atlaspool



SAUNA EQUIPMENTS



Sauna Heater (mini) with remotecontrol

Code	Description	Sauna m ³	Dimensions	Kg / Pcs	Price (€)
ATS SAU001	3 kW / Black	1,5-3	65x24x34	8,00	480,00 €
ATS SAU002	3,6 kW / Black	2-4,5	65x24x34	8,00	505,00 €

Not : Stone Capacity:10 kg It is not included in price.

Sauna Heater /FTN with remote control



Code	Description	Sauna m ³	Dimensions	Kg / Pcs	Price (€)
ATS SAU003	3 kW / Black	2-4	570x400x270	-	434,00 €
ATS SAU004	4,5 kW / Black	3-6	570x400x270	-	458,00 €
ATS SAU005	6 kW / Black	5-9	570x400x270	-	480,00 €
ATS SAU006	8 kW / Black	8-12	570x400x270	-	505,00 €
ATS SAU007	9 kW / Black	9-13	570x400x270	-	522,00 €

Not: Stone Capacity: 20 kg It is not included in price.

Sauna Heater /FTN with external remote control



Code	Description	Sauna m ³	Dimensions	Kg / Pcs	Price (€)
ATS SAU008	3 kW / Black	2-4	570x400x270	-	372,00 €
ATS SAU009	4,5 kW / Black	3-6	570x400x270	-	382,00 €
ATS SAU010	6 kW / Black	5-9	570x400x270	-	396,00 €
ATS SAU011	8 kW / Black	8-12	570x400x270	-	421,00 €
ATS SAU012	9 kW / Black	9-13	570x400x270	-	451,00 €

Not: Stone Capacity: 20 kg It is not included in price.

Sauna Heater /FTC without door remote control



Code	Description	Sauna m ³	Dimensions	Kg / Pcs	Price (€)
ATS SAU013	10,5 kW/Stainless Steel	10-15	685x510x575	-	1.735,00 €
ATS SAU014	12 kW/Stainless Steel	11-18	685x510x575	-	1.795,00 €
ATS SAU015	15 kW/Stainless Steel	14-24	685x510x575	-	1.855,00 €
ATS SAU016	18 kW/Stainless Steel	18-30	685x510x575	-	2.770,00 €
ATS SAU017	21 kW/Stainless Steel	23-36	685x510x575	-	2.974,00 €
ATS SAU018	27 kW/Stainless Steel	29-47	685x510x575	-	3.169,00 €

Not: Stone Capacity is 40 kg for 10,5/12/15 kw stove .

Stone Capacity is 60 kg for 18/21/27 kw stove. Stone is not included in price.



Control Panel /Manuel

Code	Description	Price (€)
ATS SAU019	Suitable for 3-9 kW Stove	198,00 €
ATS SAU020	Suitable for 10,5-15 kW Stove	225,00 €
ATS SAU021	Suitable for 18-30 kW Stove	186,00 €



Control Panel /Digital

Code	Description	Price (€)
ATS SAU022	Suitable for 3-9 kW Stove	251,00 €
ATS SAU023	Suitable for 10,5-15 kW kW Stove	278,00 €
ATS SAU024	Suitable for 18-30 kW Stove	228,00 €



Power Control Panel

Code	Description	Price (€)
ATS SAU025	Suitable for 15-30 kW Stove	423,00 €

Not: In addition to the control panel, it is necessary to use it for 15/18/21/27 kw stove with power control panel



Sauna Stove Stone

Code	Description	Kg / Pie	Price (€)
ATS SAU026	Sauna Stove Stone	10 kg	27,00 €
ATS SAU027	Sauna Stove Stone	20 kg	40,00 €



Sauna Essence

Code	Description	Lt / Pie	Price (€)
ATS SAU028	Sauna Essence	250 ml	20,00
ATS SAU029	Sauna Essence	1,000 ml	41,00



Wooden Thermometer and Hygrometer

Code	Description	Price (€)
ATS SAU030	Wooden Sauna Thermometer	45,00 €
ATS SAU031	Wooden Sauna Thermometer	59,00 €
ATS SAU032	Wooden Sauna Thermometer- Hygrometer (combine)	98,00 €



Shock Shower Bucket

Code	Description	Price (€)
ATS SAU033	Shock Shower Bucket	350,00 €



Wooden Sauna Clock

Code	Description	Price (€)
ATS SAU036	Wooden Sauna Clock	62,00 €



Sand Watch

Code	Description	Price (€)
ATS SAU037	Sand watch for 15 minutes	25,00 €



Wooden Bucket and Scoop

Code	Description	Price (€)
ATS SAU038	Wooden Sauna Bucket	50,00 €
ATS SAU039	Wooden Sauna Scoop	20,00 €



Copper Bucket and Scoop

Code	Description	Price (€)
ATS SAU040	Copper Sauna Scoop	46,00 €
ATS SAU041	Copper Sauna Bucket	28,00 €



Sauna Door

Code	Description	Price (€)
ATS SAU042	Wooden Sauna Door	317,00 €
ATS SAU043	Glass Sauna Door 185x80x5	430,00 €
ATS SAU044	Glass Sauna Door 207,5x89x5	478,00 €
ATS SAU045	Wooden Handle for Sauna door	99,00 €



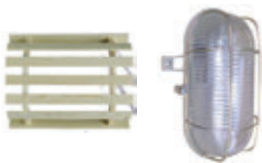
Door Locks and Hinge

Code	Description	Price (€)
ATS SAU046	Door Lock-Economic	52,00 €
ATS SAU047	Door Lock-Lux	68,00 €
ATS SAU048	Door Hinge	39,00 €



Wooden Ventilation

Code	Description	Price (€)
ATS SAU049	Wooden Sliding Ventilation	45,00 €
ATS SAU050	Wooden Grid Ventilation	38,00 €



Sauna Lamp

Code	Description	Price (€)
ATS SAU051	Wooden Lamp Shade	46,00 €
ATS SAU052	Lamp Armature	55,00 €



Sauna- Wooden Headrests

Code	Description	Price (€)
ATS SAU053	Wooden Headrests For Sauna	57,00 €

IMPORT

Steam Generators

Code	Description	Box Size	Kg / Pcs	Price (€)
ATS SAU057	3 kW Steam Generator- 2,5 m ³	51x23x48	13,00	1.770,00 €
ATS SAU058	4,7 kW Steam Generator- 5 m ³	51x23x48	13,00	1.805,00 €
ATS SAU059	6 kW Steam Generator- 7 m ³	51x23x48	13,00	1.965,00 €
ATS SAU060	8 kW Steam Generator- 9 m ³	49x44x17	13,00	2.110,00 €
ATS SAU061	9 kW Steam Generator- 11 m ³	49x44x17	13,00	2.558,00 €
ATS SAU062	10 kW Steam Generator- 12 m ³	51x23x48	13,00	2.598,00 €
ATS SAU069	12 kW Steam Generator- 14 m ³	50x50x21	15,00	2.643,00 €
ATS SAU070	14 kW Steam Generator- 16 m ³	54x26x47	15,00	2.712,00 €
ATS SAU071	18 kW Steam Generator- 20 m ³	53x23x48	19,00	3.252,00 €
ATS SAU072	21 kW Steam Generator- 23 m ³	57x54x22	19,00	3.584,00 €
ATS SAU063	3-21 kW Steam Generator Control Panel	-	-	670,00 €


Water Treatment Device

Code	Description	Box Size	Kg / Pcs	Price (€)
ATS SAU090	Water Treatment Device	-	-	1.080,00 €

Steam Room Accesories

Code	Description	Kg / Pcs	Price (€)
ATS SAU064	Steam Room Door- 185 x 78x 6,5	-	836,00 €
ATS SAU065	Steam Room Door- 207 x 89 x 6,5	-	900,00 €
ATS SAU066	Steam Room Door Handle Set	-	124,00 €
ATS SAU067	Steam Out Equipment	-	80,00 €
ATS SAU068	Stream Room Wall Lamp	-	42,00 €



Atlaspool

SAUNA MALZEMELERİ

SPA PRODUCTS



www.atlasgruphavuz.com

MADE IN TURKEY



www.atlasgruphavuz.com



Atlaspool

**UH-PVC/PPRC
PIPE, FITTING, VALVE**



U-PVC Yapıştırma Muflu Borular

U-PVC Solvent Cement Socketed Pressure Pipes

PN 4

Çap Dia	Kod Code	Basınç Pn	Et kalınlığı (mm) Wall thickness	Kg / m	Fiyat/m Price/m
<i>Emniyet katsayısı (safety factor) C=2.5 TS EN ISO 1452-2</i>					
75	100 04 075 1	4	1.8	0.655	2.52 €
90	100 04 090 1	4	1.8	0.790	3.05 €
<i>Emniyet katsayısı (safety factor) C=2.0 TS EN ISO 1452-2</i>					
110	100 04 110 1	4	2.2	1.161	4.47 €
125	100 04 125 1	4	2.5	1.500	5.77 €
140	100 04 140 1	4	2.8	1.822	7.02 €
160	100 04 160 1	4	3.2	2.437	9.40 €
200	100 04 200 1	4	4.0	3.801	14.63 €
225	100 04 225 3	4	4.5	4.811	18.53 €
250	100 04 250 3	4	4.9	5.827	22.43 €
280	100 04 280 3	4	5.5	7.321	28.18 €
315	100 04 315 3	4	6.2	9.272	35.69 €
355	100 04 355 3	4	7.2	11.826	45.53 €
400	100 04 400 3	4	7.9	15.069	58.01 €
450	100 04 450 3	4	8.9	20.900	80.46 €
500	100 04 500 3	4	9.8	24.100	92.78 €
* Boru Uzunluğu 6 m/ad. / Pipe Length 6m/pcs					

PN 10

Çap Dia	Kod Code	Basınç Pn	Et kalınlığı (mm) Wall thickness	Kg / m	Fiyat/m Price/m
<i>Emniyet katsayısı (safety factor) C=2.5 TS EN ISO 1452-2</i>					
25	100 10 025 1	10	1.5	0.165	0.64 €
32	100 10 032 1	10	1.6	0.241	0.93 €
40	100 10 040 1	10	1.9	0.353	1.36 €
50	100 10 050 1	10	2.4	0.561	2.16 €
63	100 10 063 1	10	3	0.871	3.35 €
75	100 10 075 1	10	3.6	1.245	4.80 €
90	100 10 090 1	10	4.3	1.784	6.86 €
<i>Emniyet katsayısı (safety factor) C=2.0 TS EN ISO 1452-2</i>					
110	100 10 110 1	10	4.2	2.160	8.32 €
125	100 10 125 1	10	4.8	2.782	10.72 €
140	100 10 140 1	10	5.4	3.512	13.52 €
160	100 10 160 1	10	6.2	4.607	17.73 €
200	100 10 200 1	10	7.7	7.123	27.42 €
225	100 10 225 3	10	8.6	8.957	34.48 €
250	100 10 250 3	10	9.6	11.119	42.81 €
280	100 10 280 3	10	10.7	14.007	53.92 €
315	100 10 315 3	10	12.1	17.404	67.00 €
355	100 10 355 3	10	13.6	22.171	85.36 €
400	100 10 400 3	10	15.3	28.014	107.85 €
450	100 10 450 3	10	17.2	35.640	137.22 €
500	100 10 500 3	10	19.1	43.976	169.32 €
* Boru Uzunluğu 6 m/ad. / Pipe Length 6m/pcs					

PN 6

Çap Dia	Kod Code	Basınç Pn	Et kalınlığı (mm) Wall thickness	Kg / m	Fiyat/m Price/m
<i>Emniyet katsayısı (safety factor) C=2.5 TS EN ISO 1452-2</i>					
50	100 06 050 1	6	1.5	0.367	1.41 €
63	100 06 063 1	6	1.9	0.574	2.21 €
75	100 06 075 1	6	2.2	0.798	3.07 €
90	100 06 090 1	6	2.7	1.154	4.44 €
<i>Emniyet katsayısı (safety factor) C=2.0 TS EN ISO 1452-2</i>					
110	100 06 110 1	6	2.7	1.375	5.29 €
125	100 06 125 1	6	3.10	1.783	6.86 €
140	100 06 140 1	6	3.5	2.216	8.54 €
160	100 06 160 1	6	4.0	2.887	11.11 €
200	100 06 200 1	6	4.9	4.459	17.17 €
225	100 06 225 3	6	5.5	5.669	21.82 €
250	100 06 250 3	6	6.2	6.979	26.87 €
280	100 06 280 3	6	6.9	8.766	33.75 €
315	100 06 315 3	6	7.7	11.081	42.66 €
355	100 06 355 3	6	8.7	14.189	54.63 €
400	100 06 400 3	6	9.8	17.943	69.08 €
450	100 06 450 3	6	11.0	23.119	89.01 €
500	100 06 500 3	6	12.3	28.720	100.57 €
* Boru Uzunluğu 6 m/ad. / Pipe Length 6m/pcs					

PN 16

Çap Dia	Kod Code	Basınç Pn	Et kalınlığı (mm) Wall thickness	Kg / m	Fiyat/m Price/m
<i>Emniyet katsayısı (safety factor) C=2.5 TS EN ISO 1452-2</i>					
20	100 16 020 1	16	1.5	0.138	0.52 €
25	100 16 025 1	16	1.9	0.213	0.83 €
32	100 16 032 1	16	2.4	0.345	1.33 €
40	100 16 040 1	16	3.0	0.530	2.05 €
50	100 16 050 1	16	3.7	0.823	3.17 €
63	100 16 063 1	16	4.7	1.313	5.06 €
75	100 16 075 1	16	5.6	1.860	7.16 €
90	100 16 090 1	16	6.7	2.663	10.25 €
<i>Emniyet katsayısı (safety factor) C=2.0 TS EN ISO 1452-2</i>					
110	100 16 110 1	16	6.6	3.268	12.58 €
125	100 16 125 1	16	7.4	4.169	16.05 €
140	100 16 140 1	16	8.3	5.237	20.16 €
160	100 16 160 1	16	9.5	6.839	26.33 €
200	100 16 200 1	16	11.9	10.616	40.87 €
225	100 16 225 3	16	13.4	13.441	51.74 €
250	100 16 250 3	16	14.8	16.524	63.62 €
280	100 16 280 3	16	16.6	20.424	80.14 €
315	100 16 315 3	16	18.7	26.815	101.33 €
355	100 16 355 3	16	21.1	33.635	129.49 €
400	100 16 400 3	16	23.7	42.812	164.83 €
450	100 16 450 3	16			
500	100 16 500 3	16			
* Boru Uzunluğu 6 m/ad. / Pipe Length 6m/pcs					



U-PVC Geçme Mufllu Borular
Pipe With O-Ring Gasket Socketed

PN 4

Çap Dia	Kod Code	Basınc Pn	Et kalınlığı (mm) Wall thickness	Kg / m	Fiyat/m Price/m
Emniyet katsayısı (safety factor) C=2.5 TS EN ISO 1452-2					
75	101 04 075 1	4	1.8	0.655	2.52 €
90	101 04 090 1	4	1.8	0.790	3.05 €
Emniyet katsayısı (safety factor) C=2.0 TS EN ISO 1452-2					
110	101 04 110 1	4	2.2	1.161	4.46 €
125	101 04 125 1	4	2.5	1.500	5.77 €
140	101 04 140 1	4	2.8	1.882	7.25 €
160	101 04 160 1	4	3.2	2.437	9.38 €
200	101 04 200 1	4	4.0	3.801	14.63 €
225	101 04 225 3	4	4.5	4.811	18.53 €
250	101 04 250 3	4	4.9	5.827	22.43 €
280	101 04 280 3	4	5.5	7.323	28.19 €
315	101 04 315 3	4	6.2	9.272	35.69 €
355	101 04 355 3	4	7.2	11.826	45.53 €
400	101 04 400 3	4	7.9	15.128	58.23 €
450	101 04 450 3	4	8.9	20.643	80.46 €
500	101 04 500 3	4	9.8	24.083	92.72 €
* Boru Uzunluğu 6 m/ad. Pipe Length 6m/pcs * Fiyatlara conta dahil değildir. / Gasket is not included the price					

PN 10

Çap Dia	Kod Code	Basınc Pn	Et kalınlığı (mm) Wall thickness	Kg / m	Fiyat/m Price/m
Emniyet katsayısı (safety factor) C=2.5 TS EN ISO 1452-2					
50	101 10 050 1	10	2.4	0.561	2.16 €
63	101 10 063 1	10	3.0	0.879	3.40 €
75	101 10 075 1	10	3.6	1.251	4.82 €
90	101 10 090 1	10	4.3	1.803	6.94 €
Emniyet katsayısı (safety factor) C=2.0 TS EN ISO 1452-2					
110	101 10 110 1	10	4.2	2.193	8.45 €
125	101 10 125 1	10	4.8	2.826	10.88 €
140	101 10 140 1	10	5.4	3.575	13.76 €
160	101 10 160 1	10	6.2	4.691	18.18 €
200	101 10 200 1	10	7.7	7.270	28.00 €
225	101 10 225 3	10	8.6	9.158	35.25 €
250	101 10 250 3	10	9.6	11.379	43.82 €
280	101 10 280 3	10	10.7	14.304	55.07 €
315	101 10 315 3	10	12.1	18.120	69.82 €
355	101 10 355 3	10	13.6	22.926	88.26 €
400	101 10 400 3	10	15.3	29.314	112.86 €
450	101 10 450 3	10	17.2	32.052	142.65 €
500	101 10 500 3	10	19.1	45.840	176.48 €
* Boru Uzunluğu 6 m/ad. Pipe Length 6m/pcs * Fiyatlara conta dahil değildir. / Gasket is not included the price					

PN 6

Çap Dia	Kod Code	Basınc Pn	Et kalınlığı (mm) Wall thickness	Kg / m	Fiyat/m Price/m
Emniyet katsayısı (safety factor) C=2.5 TS EN ISO 1452-2					
50	101 06 050 1	6	1.5	0.369	1.42 €
63	101 06 063 1	6	1.9	0.578	2.22 €
75	101 06 075 1	6	2.2	0.798	3.07 €
90	101 06 090 1	6	2.7	1.150	4.47 €
Emniyet katsayısı (safety factor) C=2.0 TS EN ISO 1452-2					
110	101 06 110 1	6	2.7	1.436	5.53 €
125	101 06 125 1	6	3.0	1.868	7.19 €
140	101 06 140 1	6	3.3	2.362	9.10 €
160	101 06 160 1	6	4.0	3.080	11.86 €
200	101 06 200 1	6	4.9	4.722	18.18 €
225	101 06 225 3	6	5.5	5.970	23.00 €
250	101 06 250 3	6	6.2	7.484	28.71 €
280	101 06 280 3	6	6.9	9.316	35.87 €
315	101 06 315 3	6	7.7	11.739	45.20 €
355	101 06 355 3	6	8.7	14.926	57.46 €
400	101 06 400 3	6	9.8	19.085	73.48 €
450	101 06 450 3	6	11.0	24.158	93.00 €
500	101 06 500 3	6	12.3	30.072	115.77 €
* Boru Uzunluğu 6 m/ad. Pipe Length 6m/pcs * Fiyatlara conta dahil değildir. / Gasket is not included the price					

PN 16

Çap Dia	Kod Code	Basınc Pn	Et kalınlığı (mm) Wall thickness	Kg / m	Fiyat/m Price/m
Emniyet katsayısı (safety factor) C=2.5 TS EN ISO 1452-2					
50	101 16 050 1	16	3.7	0.823	3.17 €
63	101 16 063 1	16	4.7	1.317	5.07 €
75	101 16 075 1	16	5.6	1.880	7.24 €
90	101 16 090 1	16	6.7	2.693	10.37 €
Emniyet katsayısı (safety factor) C=2.0 TS EN ISO 1452-2					
110	101 16 110 1	16	6.6	3.318	12.77 €
125	101 16 125 1	16	7.4	4.235	16.30 €
140	101 16 140 1	16	8.3	5.330	20.53 €
160	101 16 160 1	16	9.5	6.965	26.82 €
200	101 16 200 1	16	11.9	10.914	42.02 €
225	101 16 225 3	16	13.4	13.881	53.44 €
250	101 16 250 3	16	14.8	17.062	65.69 €
280	101 16 280 3	16	16.6	21.424	82.49 €
315	101 16 315 3	16	18.7	27.257	104.94 €
355	101 16 355 3	16	21.1	34.680	133.52 €
400	101 16 400 3	16	23.7	44.676	172.00 €
450	101 16 450 3	16			
500	101 06 500 3	16			
* Boru Uzunluğu 6 m/ad. Pipe Length 6m/pcs * Fiyatlara conta dahil değildir. / Gasket is not included the price					



U-PVC Zonder Boru

U-PVC Industry Pipes

PN 20

Çap Dia	Kod Code	Basıç Pn	Et kalınlığı (mm) Wall thickness	Kg / m	Fiyat/m Price/m
Emniyet katsayısı (safety factor) C=2.5 TS EN ISO 1452-2					
20	102 20 020 1	20	1.9	0.170	0.75 €
25	102 20 025 1	20	2.3	0.270	1.19 €
32	102 20 032 1	20	2.9	0.410	1.80 €
40	102 20 040 1	20	3.7	0.650	2.86 €
50	102 20 050 1	20	4.6	1.005	4.42 €
63	102 20 063 1	20	5.8	1.590	7.00 €
75	102 20 075 1	20	6.8	2.216	9.75 €
90	102 20 090 1	20	8.2	3.205	14.11 €
Emniyet katsayısı (safety factor) C=2.0 TS EN ISO 1452-2					
110	102 20 110 1	20	8.1	3.995	17.57 €
125	102 20 125 1	20	9.2	5.105	22.46 €
140	102 20 140 1	20	10.3	6.384	28.09 €
160	102 20 160 1	20	11.8	7.340	32.30 €
200	102 20 200 1	20	14.7	13.050	57.42 €

* Boru Uzunluğu 3 m/ad. Pipe Length 3 m/pcs

PN 25

Çap Dia	Kod Code	Basıç Pn	Et kalınlığı (mm) Wall thickness	Kg / m	Fiyat/m Price/m
Emniyet katsayısı (safety factor) C=2.5 TS EN ISO 1452-2					
20	102 25 020 1	25	2.3	0.195	0.86 €
25	102 25 025 1	25	2.8	0.299	1.32 €
32	102 25 032 1	25	3.6	0.490	2.16 €
40	102 25 040 1	25	4.5	0.810	3.56 €
50	102 25 050 1	25	5.6	1.190	5.24 €
63	102 25 063 1	25	7.1	1.900	8.36 €
75	102 25 075 1	25	8.4	2.678	11.78 €
90	102 25 090 1	25	10.0	3.830	16.85 €
Emniyet katsayısı (safety factor) C=2.0 TS EN ISO 1452-2					
110	102 25 110 1	25	10.0	4.788	21.06 €
125	102 25 125 1	25	11.4	6.200	27.28 €
140	102 25 140 1	25	12.6	7.685	33.82 €
160	102 25 160 1	25	14.6	10.163	44.72 €
200	102 25 200 1	25	18.2	15.750	69.30 €

* Boru Uzunluğu 3 m/ad. Pipe Length 3 m/pcs



EPDM Temiz Su Borusu Lastik Contası

Rubber Ring Gasket

Çap Dia	Kod Code	Fiyat / Ad Price / Pcs
50	101 00 050 9	0.53 €
63	101 00 063 9	0.58 €
75	101 00 075 9	0.79 €
90	101 00 090 9	0.89 €
110	101 00 110 9	1.26 €
125	101 00 125 9	1.98 €
140	101 00 140 9	2.09 €
160	101 00 160 9	2.52 €
200	101 00 200 9	3.88 €
225	101 00 225 9	5.52 €
250	101 00 250 9	6.03 €
280	101 00 280 9	8.24 €
315	101 00 315 9	12.08 €
355	101 00 355 9	16.28 €
400	101 00 400 9	22.05 €



EPDM Yaprak Conta

Rubber Flat Gasket

Çap Dia	Kod Code	Fiyat/Ad Price/Pcs
63	221 05 063 9	6.30 €
75	221 05 075 9	6.60 €
90	221 05 090 9	6.90 €
110	221 05 110 9	8.10 €
125	221 05 125 9	8.10 €
140	221 05 140 9	8.48 €
160	221 05 160 9	9.15 €
200	221 05 200 9	10.50 €
225	221 05 225 9	11.48 €
250	221 05 250 9	14.78 €
280	221 05 280 9	16.43 €
315	221 05 315 9	23.10 €
355	221 05 355 9	29.55 €
400	221 05 400 9	39.30 €



U-PVC Kaynak Çubuğu

U-PVC Welding Rods

Çap Dia	Kod Code	Koli/kg Box/kg	Fiyat/kg Price/kg
3	123 00 003 1	2	11.00 €
4	123 00 004 1	2	11.00 €
5	123 00 005 1	2	11.00 €
6	123 00 006 1	2	11.00 €
7	123 00 007 1	2	11.00 €
8	123 00 008 1	2	11.00 €
9	123 00 009 1	2	11.00 €
10	123 00 010 1	2	11.00 €
12	123 00 012 1	2	11.00 €



Trifonlu Kelepçe

Metal Clamp
With Screw

Çap Dia	Kod Code	Koli / Ad. Box/Pcs	Fiyat / Ad Price / Pcs
20	120 00 020 8	100	0.40 €
25	120 00 025 8	100	0.43 €
32	120 00 032 8	75	0.47 €
40	120 00 040 8	50	0.52 €
50	120 00 050 8	50	0.57 €
63	120 00 063 8	50	0.90 €
75	120 00 075 8	50	1.10 €
90	120 00 090 8	25	1.25 €
110	120 00 110 8	25	1.60 €
125	120 00 125 8	25	2.00 €
140	120 00 140 8	25	2.25 €



Somun Kelepçe (Metal)

Metal Clamp With Nut

Kod Code	Çap Dia	Kod Code	Koli / Ad. Box/Pcs	Fiyat / Ad Price / Pcs
M06	20	119 00 020 8	200	0.39 €
M06	25	119 00 025 8	150	0.42 €
M06	32	119 00 032 8	100	0.45 €
M06	40	119 00 040 8	100	0.52 €
M08	50	119 00 050 8	75	0.57 €
M08	63	119 00 063 8	30	1.00 €
M08	75	119 00 075 8	30	1.16 €
M16	90	119 00 090 8	25	1.25 €
M16	110	119 00 110 8	25	1.54 €
M16	125	119 00 125 8	25	2.09 €
M16	140	119 00 140 8	25	2.24 €
M16	160	119 00 160 8	25	2.36 €
M12	200	119 00 200 8	25	2.70 €



Boru Kelepçesi

Pipe Clamp

Çap Dia	Kod Code	Koli / Ad. Box/Pcs	Fiyat / Ad Price / Pcs
20	118 00 020 4	500	0.08 €
25	118 00 025 4	400	0.09 €
32	118 00 032 4	300	0.14 €
40	118 00 040 4	200	0.16 €
50	118 00 050 4	100	0.22 €
63	118 00 063 4	200	0.46 €
75	118 00 075 4	100	0.58 €
90	118 00 090 4	100	0.89 €
110	118 00 110 4	100	0.91 €
125	118 00 125 4	100	1.42 €
160	118 00 160 4	50	2.44 €
200	118 00 200 4	30	3.33 €



Gijon (Galvenizli)

Gijon (Galvenise)

Çap Dia	Kod Code	Uzunluk Length	Fiyat/m Price/m
M6 x 1000	119 00 112 8	1000	0.47 €
M8 x 1000	119 00 111 3	1000	0.70 €
M10 x 1000	119 00 111 4	1000	1.11 €
M12 x 1000	119 00 111 5	1000	1.61 €
M16 x 1000	119 00 111 6	1000	3.64 €



Çakmalı Dübel

Drop-In Anchor

Çap Dia	Kod Code	Koli / Ad. Box/Pcs	Fiyat / Ad Price / Pcs
M-6	119 00 012 8	100	0.35 €
M-8	119 00 013 8	100	0.38 €
M-10	119 00 014 8	100	0.53 €
M-12	119 00 015 8	100	0.94 €



UH-PVC
Yapıştırma Muflu
90° Dirsek

UH-PVC
Solvent Cement
90° Elbow

Çap Dia	Kod Code	Basınç Pn	Koli / Ad. Pcs/Box	Fiyat/Ad Price/Pcs
20	500 00 020 2	16	300	0.23 €
25	500 00 025 2	16	200	0.28 €
32	500 00 032 2	16	100	0.42 €
40	500 00 040 2	16	60	0.77 €
50	500 00 050 2	16	80	0.78 €
63	500 00 063 2	16	60	0.98 €
75	500 00 075 2	16	40	1.88 €
90	500 00 090 2	16	25	2.60 €
110	500 00 110 2	16	15	4.40 €
125	500 00 125 2	16	8	6.55 €
140	500 00 140 2	16	6	9.70 €
160	500 00 160 2	16	4	12.55 €
200	500 00 200 2	16	2	30.55 €
225	500 00 225 2	16	1	44.50 €
250	500 00 250 4	10	1	112.00 €
280	500 00 280 4	10	1	175.00 €
315	500 00 315 4	10	1	198.00 €
355	500 00 355 4	10	1	310.00 €
400	500 00 400 4	10	1	375.00 €



UH-PVC
Yapıştırma Muflu
45° Dirsek

UH-PVC
Solvent Cement
45° Elbow

Çap Dia	Kod Code	Basınç Pn	Koli / Ad. Pcs/Box	Fiyat/Ad Price/Pcs
20	502 00 020 2	16	400	0.23 €
25	502 00 025 2	16	200	0.27 €
32	502 00 032 2	16	100	0.41 €
40	502 00 040 2	16	75	0.72 €
50	502 00 050 2	16	80	0.75 €
63	502 00 063 2	16	50	0.89 €
75	502 00 075 2	16	40	1.79 €
90	502 00 090 2	16	25	2.42 €
110	502 00 110 2	16	18	4.25 €
125	502 00 125 2	16	8	6.25 €
140	502 00 140 2	16	6	8.95 €
160	502 00 160 2	16	5	12.50 €
200	502 00 200 2	16	2	26.80 €
225	502 00 225 2	16	2	44.00 €
250	502 00 250 4	10	2	96.00 €
280	502 00 280 5	10	1	160.00 €
315	502 00 315 4	10	1	171.00 €
355	502 00 355 5	10	1	280.00 €
400	502 00 400 4	10	1	350.00 €



UH-PVC
90° Kruva (Istavroz)

UH-PVC
90° Cross

Çap Dia	Kod Code	Basınç Pn	Koli / Ad. Pcs/Box	Fiyat/Ad Price/Pcs
32	506 00 032 2	16	110	2.50 €
40	506 00 040 2	16	70	2.85 €
50	506 00 050 2	16	35	3.30 €
63	506 00 063 2	16	40	5.50 €
75	506 00 075 2	16	20	6.50 €
90	506 00 090 2	16	12	8.20 €
110	506 00 110 2	16	7	16.00 €
*125	506 00 125 2	16	4	25.90 €
*140	506 00 140 5	16	4	40.50 €
*160	506 00 160 5	16	3	52.10 €
*200	506 00 200 5	10	1	115.00 €
*225	506 00 225 5	10	1	130.80 €
*250	506 00 250 5	10	1	210.20 €
*280	506 00 280 5	10	1	290.12 €
*315	506 00 315 5	10	1	350.25 €
*355	506 00 355 5	6	1	402.35 €
*400	506 00 400 5	6	1	533.40 €

* U-PVC Borudan Konfeksiyon
* U-PVC Hand-Made From Pipe

U-PVC/PPRC BORU. EK PARÇA. VANA

U-PVC/PPRC pipe. fitting. valve



UH-PVC
Yapıştırma Muflu
Te

UH-PVC
Solvent Cement
Tee

Çap Dia	Kod Code	Basınç Pn	Koli / Ad. Pcs/Box	Fiyat/Ad Price/Pcs
20	504 00 020 2	16	200	0.28 €
25	504 00 025 2	16	100	0.32 €
32	504 00 032 2	16	60	0.65 €
40	504 00 040 2	16	90	0.87 €
50	504 00 050 2	16	50	0.89 €
63	504 00 063 2	16	50	1.25 €
75	504 00 075 2	16	30	2.20 €
90	504 00 090 2	16	18	3.40 €
110	504 00 110 2	16	10	5.35 €
125	504 00 125 2	16	6	8.05 €
140	504 00 140 2	16	4	13.00 €
160	504 00 160 2	16	3	17.90 €
200	504 00 200 2	16	1	32.00 €
225	504 00 225 2	16	1	60.00 €
250	504 00 250 4	10	1	124.00 €
280	504 00 280 4	10	1	190.00 €
315	504 00 315 4	10	1	220.50 €
355	504 00 355 4	10	1	360.00 €
400	504 00 400 4	10	1	490.00 €



UH-PVC
Yapıştırma Muflu 45° T

UH-PVC
Solvent Cement
Single Branch 45°

Çap Dia	Kod Code	Basınç Pn	Koli / Ad. Pcs/Box	Fiyat/Ad Price/Pcs
20	507 00 020 4	16	200	
25	507 00 025 4	16	100	
32	507 00 032 4	16	60	
40	507 00 040 4	16	90	
50	507 00 050 4	16	80	2.17 €
63	507 00 063 4	16	40	2.99 €
75	507 00 075 4	16	25	14.46 €
90	507 00 090 4	16	20	21.84 €
110	507 00 110 4	16	15	44.78 €



UH-PVC
Yapıştırma Muflu
Manşon

UH-PVC
Double Socket

Çap Dia	Kod Code	Basınç Pn	Koli / Ad. Pcs/Box	Fiyat/Ad Price/Pcs
16	511 00 016 2	16	480	0.27 €
20	511 00 020 2	16	480	0.17 €
25	511 00 025 2	16	250	0.21 €
32	511 00 032 2	16	125	0.24 €
40	511 00 040 2	16	100	0.38 €
50	511 00 050 2	16	70	0.39 €
63	511 00 063 2	16	135	0.61 €
75	511 00 075 2	16	80	1.24 €
90	511 00 090 2	16	45	1.56 €
110	511 00 110 2	16	28	2.64 €
125	511 00 125 2	16	22	3.27 €
140	511 00 140 2	16	16	3.86 €
160	511 00 160 2	16	12	5.78 €
200	511 00 200 2	16	4	13.00 €
225	511 00 225 2	16	2	20.85 €
250	511 00 250 4	10	1	35.60 €
280	511 00 280 5	10	1	56.36 €
315	511 00 315 5	10	1	69.90 €
355	511 00 355 5	10	1	103.25 €
400	511 00 400 5	10	1	119.20 €



UH-PVC
90° Redüksiyonlu
Dış Dış Dirsek

PRO-FIT
Male Threaded
Elbow 90°

d	d1	Rp Inch	Kod Code	Basınç Pn	Koli / Ad. Pcs/Box	Fiyat/Ad Price/Pcs
50	40	1 1/2"	501 10 050040 2	16	80	2.77 €
63	50	25	501 10 063050 2	16	40	3.92 €



UH-PVC
Yapıştırma Muflu
İnegal Te

UH-PVC
Solvent Cement
Reducing Tee

D. Çap OD	İ. Çap ID	Kod Code	Basıç Pn	Koli / Ad. Pcs/Box	Fiyat Price
32	20	508 00 032020 2	16	50	0.83 €
32	25	508 00 032025 2	16	60	0.76 €
32	50	508 00 032050 2	16	80	1.89 €
40	20	508 00 040020 2	16	48	1.19 €
40	25	508 00 040025 2	16	48	1.12 €
40	32	508 00 040032 2	16	48	1.01 €
50	20	508 00 050020 2	16	75	1.38 €
50	32	508 00 050032 2	16	75	1.20 €
50	40	508 00 050040 2	16	50	1.18 €
63	25	508 00 063025 2	16	40	2.36 €
63	32	508 00 063032 2	16	30	2.39 €
63	40	508 00 063040 2	16	30	2.25 €
63	50	508 00 063050 2	16	30	2.20 €
75	63	508 00 075063 2	16	30	3.10 €
90	63	508 00 090063 2	16	35	4.35 €
90	75	508 00 090075 2	16	25	4.50 €
110	63	508 00 110063 2	16	22	6.00 €
110	75	508 00 110075 2	16	10	6.20 €
110	90	508 00 110090 2	16	11	6.50 €
125	63	508 00 125063 2	16	10	12.92 €
* 125	75	508 00 125075 2	16	10	12.74 €
125	90	508 00 125090 2	16	8	12.12 €
125	110	508 00 125110 2	16	8	10.75 €
* 140	63	508 00 140063 2	16	8	18.60 €
* 140	75	508 00 140075 2	16	6	18.42 €
* 140	90	508 00 140090 2	16	6	17.80 €
140	110	508 00 140110 2	16	6	16.20 €
* 160	63	508 00 160063 2	16	5	22.00 €
* 160	75	508 00 160075 2	16	5	21.00 €
160	90	508 00 160090 2	16	5	20.00 €
160	110	508 00 160110 2	16	5	19.00 €
* 160	125	508 00 160125 2	16	5	27.00 €
* 200	75	508 00 200075 2	16	2	38.00 €
* 200	90	508 00 200090 2	16	2	35.00 €
200	110	508 00 200110 2	16	2	33.00 €
* 200	125	508 00 200125 2	16	3	37.00 €
* 200	140	508 00 200140 2	16	3	35.00 €
200	160	508 00 200160 2	16	2	32.50 €
225	110	508 00 225110 2	16	2	54.60 €
* 225	125	508 00 225125 2	16	2	60.00 €
* 225	140	508 00 225140 2	16	2	58.00 €
225	160	508 00 225160 2	16	2	55.37 €
* 225	200	508 00 225200 2	10	2	67.50 €
250	110	508 00 250110 2	10	1	100.67 €
250	140	508 00 250140 2	10	1	105.30 €
250	160	508 00 250160 2	10	1	101.70 €
250	200	508 00 250200 2	10	1	103.18 €
* 250	225	508 00 250225 2	10	1	140.62 €
280	110	508 00 280110 2	10	1	240.00 €
* 280	140	508 00 280140 5	10	1	237.00 €
280	160	508 00 280160 5	10	1	237.00 €
* 280	200	508 00 280200 2	10	1	225.00 €
280	225	508 00 280225 2	10	1	214.00 €
* 280	250	508 00 280250 2	10	1	196.00 €
315	110	508 00 315110 2	10	1	202.97 €
315	160	508 00 315160 2	10	1	202.97 €
315	225	508 00 315225 2	10	1	197.23 €
315	250	508 00 315250 2	10	1	275.00 €
* 315	280	508 00 315280 2	10	1	251.75 €
* 355	280	508 00 315280 5	10	1	419.00 €
* 355	315	508 00 355315 5	10	1	419.00 €
* 400	280	508 00 400280 5	10	1	566.00 €
* 400	315	508 00 400315 5	10	1	555.00 €
* 400	355	508 00 400355 5	10	1	555.00 €

* Redüksiyon ile yapıştırılarak düşürülmüştür / Reduced with solvent welding

U-PVC/PPRC BORU. EK PARA. VANA

U-PVC/PPRC pipe. fitting. valve



UH-PVC
Yapıştırma Mufu
Redüksiyon

UH-PVC
Solvent Cement
Reducer

D. ap OD	İ. ap ID	Kod Code	Basi Pn	Koli / Ad. Pcs/Box	Fiyat/Ad Price/Pcs
20	16	509 00 020016 2	16	1500	0.18 €
25	20	509 00 025020 2	16	1000	0.11 €
32	20	509 00 032020 2	16	550	0.18 €
32	25	509 00 032025 2	16	500	0.11 €
40	20	509 00 040020 2	16	300	0.36 €
40	25	509 00 040025 2	16	300	0.25 €
40	32	509 00 040032 2	16	300	0.14 €
50	32	509 00 050032 2	16	200	0.35 €
50	40	509 00 050040 2	16	200	0.29 €
63	32	509 00 063032 2	16	100	0.62 €
* 63	40	509 00 063040 2	16	100	0.74 €
63	50	509 00 063050 2	16	100	0.45 €
75	40	509 00 075040 2	16	60	0.95 €
75	50	509 00 075050 2	16	60	0.65 €
75	63	509 00 075063 2	16	60	0.44 €
90	32	509 00 090032 2	16	65	1.44 €
90	50	509 00 090050 2	16	65	1.19 €
90	63	509 00 090063 2	16	65	0.77 €
90	75	509 00 090075 2	16	65	0.64 €
110	63	509 00 110063 2	16	75	1.89 €
110	75	509 00 110075 2	16	75	1.77 €
110	90	509 00 110090 2	16	75	1.51 €
125	63	509 00 125063 2	16	25	3.15 €
125	75	509 00 125075 2	16	25	3.05 €
125	90	509 00 125090 2	16	25	2.40 €
125	110	509 00 125110 2	16	35	1.37 €
140	63	509 00 140063 2	16	35	5.10 €
140	75	509 00 140075 2	16	35	4.80 €
140	90	509 00 140090 2	16	35	3.75 €
140	110	509 00 140110 2	16	35	2.49 €
140	125	509 00 140125 2	16	35	1.67 €
160	90	509 00 160090 2	16	25	5.70 €
160	110	509 00 160110 2	16	25	4.10 €
160	140	509 00 160140 2	16	25	2.20 €
200	160	509 00 200160 2	16	12	6.25 €
225	200	509 00 225200 2	10	6	7.50 €
* 250	200	509 00 250200 2	10	6	25.45 €
250	225	509 00 250225 2	10	6	17.95 €
280	250	509 00 280250 2	10	2	22.95 €
315	280	509 00 315280 2	10	2	34.50 €
* 355	280	509 00 355280 5	10	1	67.00 €
* 355	315	509 00 355315 5	10	1	63.50 €
* 400	280	509 00 400280 5	10	1	105.00 €
* 400	315	509 00 400315 5	10	1	85.00 €
* 400	355	509 00 400355 5	10	1	75.00 €

* Redüksiyon ile yapıştırılarak düşürülmüştür / Reduced with solvent welding



UH-PVC
Yapıştırma Mufu
Kör Tapa

UH-PVC
Solvent Cement
End Cap

Çap Dia	Kod Code	Basınç Pn	Koli / Ad. Box/Pcs	Fiyat/Ad Price/Pcs
20	516 00 020 2	16	700	0.18 €
25	516 00 025 2	16	600	0.22 €
32	516 00 032 2	16	250	0.28 €
40	516 00 040 2	16	150	0.33 €
50	516 00 050 2	16	90	0.50 €
63	516 00 063 2	16	100	0.60 €
75	516 00 075 2	16	60	1.02 €
90	516 00 090 2	16	35	1.30 €
110	516 00 110 2	16	25	1.90 €
125	516 00 125 2	16	15	3.10 €
140	516 00 140 2	16	10	3.90 €
160	516 00 160 2	16	8	7.10 €
200	516 00 200 2	16	8	11.30 €
225	516 00 225 2	16	6	19.00 €
250	516 00 250 2	10	2	29.00 €
280	516 00 280 2	10	2	41.00 €
315	516 00 315 2	10	1	54.00 €
355	516 00 355 4	10	1	125.80 €
400	516 00 400 4	10	1	142.35 €
* 450	516 00 450 5	10	1	280.00 €
* 500	516 00 500 5	10	1	335.00 €

* U-PVC Borudan Konfeksiyon / U-PVC Hand-Made From Pipe



UH-PVC
Yapıştırma Mufu
Konik Redüsiyon

UH-PVC
Conical Reducer

D. Çap OD	İ. Çap ID	Kod Code	Basınç Pn	Koli / Ad. Box/Pcs	Fiyat/Ad Price/Pcs
32	20	510 00 032020 2	16		
32	25	510 00 032025 2	16		
40	20	510 00 040020 2	16		
40	25	510 00 040025 2	16		
40	32	510 00 040032 2	16		
50	20	510 00 050020 2	16		
50	25	510 00 050025 2	16		
50	32	510 00 050032 2	16		
50	40	510 00 050040 2	16		
63	20	510 00 063020 2	16		
63	25	510 00 063025 2	16		
63	32	510 00 063032 2	16		
63	40	510 00 063040 2	16		
63	50	510 00 063050 2	16		
75	32	510 00 075032 2	16		
75	40	510 00 075040 2	16		
75	50	510 00 075050 2	16		
75	63	510 00 075063 2	16		
90	40	510 00 090040 2	16		
90	50	510 00 090050 2	16		
90	63	510 00 090063 2	16		
90	75	510 00 090075 2	16		
110	50	510 00 110050 2	16		
110	63	510 00 110063 2	16		
110	75	510 00 110075 2	16		
110	90	510 00 110090 2	16		
160	110	510 00 160110 2	16	12	11.50 €
225	110	510 00 225110 2	16	3	21.88 €
225	160	510 00 225160 2	16	3	22.17 €

U-PVC/PPRC BORU. EK PARÇA. VANA

U-PVC/PPRC pipe. fitting. valve



UH-PVC
Yapıştırma Mufllu
Kole

UH-PVC
Solvent Cement
Flange Adaptor

Çap Dia	Kod Code	Basınc Pn	Koli / Ad. Box/Pcs	Fiyat/Ad Price/Pcs
16	512 00 016 2	16	600	0.75 €
20	512 00 020 2	16	750	0.55 €
25	512 00 025 2	16	450	0.55 €
32	512 00 032 2	16	250	0.70 €
40	512 00 040 2	16	150	0.79 €
50	512 00 050 2	16	160	0.79 €
63	512 00 063 2	16	100	0.81 €
75	512 00 075 2	16	70	1.00 €
90	512 00 090 2	16	85	1.30 €
110	512 00 110 2	16	45	2.07 €
125	512 00 125 2	16	24	2.75 €
140	512 00 140 2	16	18	3.60 €
160	512 00 160 2	16	16	5.28 €
200	512 00 200 2	16	7	7.42 €
225	512 00 225 2	16	3	8.05 €
250	512 00 250 2	10	4	33.00 €
280	512 00 280 2	10	2	34.00 €
315	512 00 315 2	10	2	49.50 €
355	512 00 355 5	10	1	135.00 €
400	512 00 400 4	10	1	170.00 €
450	512 00 450 5	10	1	325.00 €
500	512 00 500 5	10	1	385.00 €



UH-PVC
Yapıştırma Mufllu
Serbest Flanş

UH-PVC
Solvent Cement
Flange

Çap Dia	Kod Code	Basınc Pn	Koli / Ad. Box/Pcs	Fiyat/Ad Price/Pcs
20	513 00 020 2	16	150	1.15 €
25	513 00 025 2	16	100	1.15 €
32	513 00 032 2	16	80	1.30 €
40	513 00 040 2	16	50	1.50 €
50	513 00 050 2	16	48	1.50 €
63	513 00 063 2	16	25	1.65 €
75	513 00 075 2	16	40	2.15 €
90	513 00 090 2	16	35	2.40 €
110	513 00 110 2	16	22	2.55 €
125	513 09 125 2	16	18	3.39 €
140	513 00 140 2	16	18	3.35 €
160	513 00 160 2	16	14	4.50 €
200	513 00 200 2	16	8	8.68 €
225	513 00 225 2	10	8	8.68 €
250	513 00 250 2	10	7	42.00 €
280	513 00 280 2	10	7	33.60 €
315	513 00 315 2	10	7	42.63 €
355	513 00 355 4	10	1	130.00 €
400	513 00 400 4	10	1	175.00 €
* 450	513 00 450 5	10	1	325.00 €
* 400	513 00 500 5	10	1	390.00 €

* Konfeksiyon / Hand Made



UH-PVC
İçten Dişli Kole

UH-PVC
Female Threaded
Flange Adaptor

Çap Dia	Kod Code	Basınc Pn	Koli / Ad. Box/Pcs	Fiyat/Ad Price/Pcs
3/8"	512 02 016 2	16	600	1.25 €
1/2"	512 02 020 2	16	750	0.95 €
3/4"	512 02 025 2	16	450	1.15 €
1"	512 02 032 2	16	250	1.35 €
1 1/4"	512 02 040 2	16	150	1.55 €
1 1/2"	512 02 050 2	16	160	2.00 €
2"	512 02 063 2	16	100	2.25 €
2 1/2"	512 02 075 2	16	60	3.95 €
3"	512 02 090 2	16	85	4.35 €
4"	512 02 110 2	16	45	5.00 €



UH-PVC
Yapıştırma Mufu
Kör Flanş

UH-PVC
Solvent Cement
Blind Flange

Çap Dia	Kod Code	Basınç Pn	Koli / Ad. Pcs/Box	Fiyat/Ad Price/Pcs
20	514 00 020 5	16	150	2.99 €
25	514 00 025 5	16	110	3.59 €
32	514 00 032 5	16	80	4.19 €
40	514 00 040 5	16	50	4.79 €
50	514 00 050 2	16	48	5.79 €
63	514 00 063 2	16	25	6.39 €
75	514 00 075 2	16	40	7.19 €
90	514 00 090 2	16	35	7.79 €
110	514 00 110 2	16	22	7.50 €
125	514 00 125 2	16	18	9.65 €
140	514 00 140 2	16	18	9.65 €
160	514 00 160 2	16	18	13.50 €
200	514 00 200 2	16	14	36.00 €
225	514 00 225 2	16	8	36.00 €
250	514 00 250 4	16	8	117.00 €
280	514 00 280 4	10	8	117.00 €
315	514 00 315 4	10	7	152.00 €
355	514 00 355 4	10	7	272.00 €
400	514 00 400 4	10	7	290.00 €
450	514 00 450 5	10	7	560.00 €
500	514 00 500 5	10	7	675.00 €



UH-PVC
Yapıştırma Mufu
Flanşlı Manşon

UH-PVC
Solvent Cement
Flange Socket

Çap Dia	Kod Code	Basınç Pn	Koli / Ad. Pcs/Box	Fiyat/Ad Price/Pcs
20	512 50 020 2	16		1.62 €
25	512 50 025 2	16		1.62 €
32	512 50 032 2	16		1.90 €
40	512 50 040 2	16		2.18 €
50	512 50 050 2	16		2.18 €
63	512 50 063 2	16		2.34 €
75	512 50 075 2	16		3.00 €
90	512 50 090 2	16		3.52 €
110	512 50 110 2	16	10	4.39 €
125	512 50 125 2	16	8	5.84 €
140	512 50 140 2	16	8	6.61 €
160	512 50 160 2	16	12	9.30 €



UH-PVC
Yapıştırma Mufu
Beton Geçiş Flanşı

UH-PVC
Solvent Cement
Wall Cross Flange

Çap Dia	Kod Code	Koli / Ad. Pcs/Box	Fiyat/Ad Price/Pcs
50	515 00 050 2	200	0.25 €
63	515 00 063 2	125	0.30 €
75	515 00 075 2	90	0.45 €
90	515 00 090 2	100	0.60 €
110	515 00 110 2	80	0.68 €
125	515 00 125 2	35	0.98 €
140	515 00 140 2	33	1.00 €
160	515 00 160 2	50	1.15 €
200	515 00 200 2	25	1.50 €
225	515 00 225 2	10	8.00 €
250	515 00 250 5	7	11.00 €
280	515 00 280 5	6	17.80 €
315	515 00 315 5	5	21.00 €
355	515 00 355 5	5	33.00 €
400	515 00 400 5	5	44.00 €

U-PVC/PPRC BORU. EK PARÇA. VANA

U-PVC/PPRC pipe. fitting. valve



U-PVC
Gözetleme Camı

U-PVC
Inspection Glass

Çap Dia	Dn mm	EPDM & PTFE Kod - Code	Basınç Pn	Koli / Ad. Box/Pcs	Fiyat / Ad Price/Pcs
20	15	231 00 020 2	10	100	15.40 €
25	20	231 00 025 2	10	100	16.80 €
32	25	231 00 032 2	10	50	18.20 €
40	32	231 00 040 2	10	50	19.60 €
50	40	231 00 050 2	10	30	21.00 €
63	50	231 00 063 2	10	25	23.80 €
75	63	231 00 075 2	10	10	60.20 €
90	80	231 00 090 2	10	5	81.20 €
110	100	231 00 110 2	10	2	89.60 €



U-PVC
Gözetleme Camı
(Flanş Bağlantılı)

Inspection Glass
(With Flange)

Çap Dia	Dn mm	EPDM & PTFE Kod - Code	Basınç Pn	Koli / Ad. Pcs/Box	Fiyat/Ad Price/Pcs
125	110	231 00 125 2	10	1	112.00 €
140	125	231 00 140 2	10	1	126.00 €
160	150	231 00 160 2	10	2	189.00 €
200	175	231 00 200 2	10	1	224.00 €
225	200	231 00 225 2	10	1	266.00 €



20 - 63

UH-PVC
Tek Taraf İçten Dişli
Redüksiyonlu Adaptör

One Side Female
Threaded Reducer
Adaptor



+ 75 - 250

d mm	R inch	Kod Code	Basınç Pn	Koli / Ad. Box/Pcs	Fiyat/Ad Price/Pcs
20	1/2"	518 00 020 2	16	450	0.25 €
25	3/4"	518 00 025 2	16	240	0.28 €
32	1"	518 00 032 2	16	180	0.32 €
40	1 1/4"	518 00 040 2	16	80	0.60 €
50	1 1/2"	518 00 050 2	16	100	0.85 €
63	2"	518 00 063 2	16	75	1.20 €
+75	2 1/2"	519 00 075 2	16	75	1.85 €
+90	3"	519 00 090 2	16	60	2.30 €
+110	4"	519 00 110 2	16	18	3.70 €
+125	4 1/2"	519 00 125 5	16	22	8.80 €
+140	5"	519 00 140 5	16	16	9.43 €
+160	6"	519 00 160 5	10	12	14.15 €
+200	7"	519 00 200 5	10	4	36.21 €
+225	8"	519 00 225 5	10	2	56.46 €
+250	9"	519 00 250 5	10	2	67.01 €



20 - 63

UH-PVC
Çift Tarafı İçten Dişli
Redüksiyonlu Adaptör

Both Sides Female
Threaded Reducer
Adaptor



+ 75 - 110

d mm	R inch	Kod Code	Basınç Pn	Koli / Ad. Box/Pcs	Fiyat / Ad Price/Pcs
20	1/2"	518 10 020 2	16	450	0.38 €
25	3/4"	518 10 025 2	16	240	0.42 €
32	1"	518 10 032 2	16	180	0.48 €
40	1 1/4"	518 10 040 2	16	80	0.90 €
50	1 1/2"	518 10 050 2	16	100	1.28 €
63	2"	518 10 063 2	16	75	1.80 €
+75	2 1/2"	519 10 075 2	16	75	2.78 €
+90	3"	519 10 090 2	16	60	3.45 €
+110	4"	519 10 110 2	16	18	5.55 €



UH-PVC
Diştan Dişli
Redüksiyonlu Adaptör

UH-PVC
Male Threaded
Reducer Adaptor

d mm	R inch	d mm	Kod Code	Basınç Pn	Koli / Ad. Box/Pcs	Fiyat / Ad Price/Pcs
20	1/2"	25	522 00 020 2	16	500	0.24 €
25	3/4"	32	522 00 025 2	16	250	0.30 €
32	1"	40	522 00 032 2	16	160	0.35 €
40	1 1/4"	50	522 00 040 2	16	100	0.70 €
50	1 1/2"	63	522 00 050 2	16	150	0.90 €
63	2"	75	522 00 063 2	16	100	1.35 €
75	2 1/2"	90	522 00 075 2	16	48	1.85 €
90	3"	110	522 00 090 2	16	27	3.15 €
110	4"	125	522 00 110 2	16	26	4.05 €



UH-PVC
Dış Dişli Dıştan
Yapıştırırmalı Adaptör
(Uzun Tip)

UH-PVC
Male Threaded Adaptor
(Long Type)

Çap Dia	Kod Code	Basınç Pn	Koli / Ad. Box/Pcs	Fiyat / Ad Price/Pcs
50 x 1 1/2"	524 00 050 2	16	125	0.91 €
63 x 2"	524 00 063 2	16	70	1.25 €
75 x 2 1/2"	524 00 075 2	16	80	2.15 €
90 x 3"	524 00 090 2	16	40	3.15 €
110 x 4"	524 00 110 2	16	30	3.60 €
125 x 4 1/2"	524 00 125 2	16	14	9.22 €
140 x 5"	524 00 140 2	16	12	10.76 €
160 x 6"	524 00 160 2	16	8	14.77 €
200 x 7"	524 00 200 2	10	6	36.25 €



UH-PVC
Nipel

UH-PVC
Barrel Nipel

R Inch	Kod Code	Basınç Pn	Koli / Ad. Box/Pcs	Fiyat / Ad Price/Pcs
1/2"	520 00 020 2	16	500	0.33 €
3/4"	520 00 025 2	16	300	0.37 €
1"	520 00 032 2	16	180	0.44 €
1 1/4"	520 00 040 2	16	100	0.66 €
1 1/2"	520 00 050 2	16	150	0.77 €
2"	520 00 063 2	16	120	1.01 €
2 1/2"	520 00 075 2	16	75	1.67 €
3"	520 00 090 2	16	70	2.33 €
4"	520 00 110 2	16	45	2.60 €
4 1/2"	520 00 125 5	16	20	9.60 €
5"	520 00 140 5	16	10	10.77 €
6"	520 00 160 5	16	10	15.89 €
7"	520 00 200 5	10	4	22.49 €



UH-PVC
Yapıştırma Muflu
Dıştan Dişli Kör Tapa

UH-PVC
Solvent Cement
Threaded plug (Metric-R)

R Inch	Kod Code	Basınç Pn	Koli / Ad. Box/Pcs	Fiyat/Ad Price/Pcs
1/2"	523 00 020 2	16		
3/4"	523 00 025 2	16		
1"	523 00 032 2	16		
1 1/4"	523 00 040 2	16		
1 1/2"	523 00 050 2	16		
2"	523 00 063 2	16	150	1.25 €
2 1/2"	523 00 075 2	16	60	2.45 €
4"	523 00 110 2	16	50	5.80 €

U-PVC/PPRC BORU. EK PARÇA. VANA
U-PVC/PPRC pipe. fitting. valve



UH-PVC
Yapıştırma Muflu
Flanş Takım

UH-PVC
Solvent Cement
Flange Set

Çap Dia	Kod Code	Basınç Pn	Koli / Ad. Box/Pcs	Fiyat/Ad Price/Pcs
20	513 07 020 2	16	16	11.62 €
25	513 07 025 2	16	16	11.62 €
32	513 07 032 2	16	16	12.22 €
40	513 07 040 2	16	16	12.80 €
50	513 07 050 2	16	16	12.80 €
63	513 07 063 2	16	8	13.14 €
75	513 07 075 2	16	4	14.82 €
90	513 07 090 2	16	4	18.14 €
110	513 07 110 2	16	4	21.18 €
125	513 07 125 2	16	2	24.22 €
140	513 07 140 2	16	2	26.22 €
160	513 07 160 2	16	2	32.55 €
200	513 07 200 2	16	1	50.38 €
225	513 07 225 2	10	1	52.62 €
250	513 07 250 2	10	1	172.46 €
280	513 07 280 2	10	1	159.31 €
315	513 07 315 2	10	1	215.04 €
355	513 07 355 2	10	1	567.23 €
400	513 07 400 2	10	1	736.98 €
* 450	513 07 450 2	10	1	1.357.68 €
* 500	513 07 500 2	10	1	1.627.68 €

* Konfeksiyon / Hand Made



UH-PVC
İçten Dişli Kör Tapa

UH-PVC
Female Threaded End Cap

R Inch	Kod Code	Basınç Pn	Koli / Ad. Box/Pcs	Fiyat/Ad Price/Pcs
1/2"	517 00 020 2	16	700	0.39 €
3/4"	517 00 025 2	16	600	0.52 €
1"	517 00 032 2	16	250	0.65 €
1 1/4"	517 00 040 2	16	150	0.75 €
1 1/2"	517 00 050 2	16	90	1.10 €
2"	517 00 063 2	16	100	1.60 €
2 1/2"	517 00 075 2	16	60	2.75 €
3"	517 00 090 2	16	35	3.85 €
4"	517 00 110 2	16	25	4.95 €



UH-PVC
Tek Taraf Dış Dişli
Hortum Adaptörü

UH-PVC
One Side Male Threaded
Hose Adaptor

Çap Dia	Kod Code	Basınç Pn	Koli / Ad. Pcs/Box	Fiyat / Ad Price/Pcs
20 x 1/2"	525 00 020 2	16	400	0.33 €
25 x 3/4"	525 00 025 2	16	225	0.55 €
32 x 1"	525 00 032 2	16	140	0.66 €
40 x 1 1/4"	525 00 040 2	16	150	1.87 €
50 x 1 1/2"	525 00 050 2	16	125	2.16 €
63 x 2"	525 00 063 2	16	70	2.42 €
75 x 2 1/2"	525 00 075 2	16	80	3.50 €
90 x 3"	525 00 090 2	16	40	4.95 €
110 x 4"	525 00 110 2	16	30	5.90 €
125 x 4 1/2"	525 00 125 5	16	20	14.63 €
140 x 5"	525 00 140 5	16	12	15.73 €
160 x 6"	525 00 160 5	16	8	23.03 €

U-PVC Rakorlar

UH-PVC Unions



UH-PVC
Rakor

UH-PVC
Union

Su İçin / For Water

Asit İçin / For Acid

Çap Dia	Pn	Koli / Ad. Box/Pcs	EPDM O-Ring Kod - Code	Fiyat/Ad Price/Pcs	FPM O-Ring Kod - Code	Fiyat/Ad Price/Pcs
16	16	125	227 00 016 2	1.85 €	227 55 016 2	2.40 €
20	16	125	227 00 020 2	1.35 €	227 55 020 2	1.75 €
25	16	100	227 00 025 2	1.90 €	227 55 025 2	2.47 €
32	16	50	227 00 032 2	2.60 €	227 55 032 2	3.38 €
40	16	30	227 00 040 2	2.85 €	227 55 040 2	3.70 €
50	16	45	227 00 050 2	3.90 €	227 55 050 2	5.07 €
63	16	25	227 00 063 2	4.60 €	227 55 063 2	5.98 €
75	16	18	227 00 075 2	12.00 €	227 55 075 2	15.60 €
90	16	10	227 00 090 2	16.50 €	227 55 090 2	21.45 €
110	16	7	227 00 110 2	21.50 €	227 55 110 2	28.00 €



UH-PVC
Tek Taraf İçten
Dişli Rakor

UH-PVC
One Side Female
Threaded Union

Su İçin / For Water

Asit İçin / For Acid

Çap Dia	Pn	Koli / Ad. Box/Pcs	EPDM O-Ring Kod - Code	Fiyat/Ad Price/Pcs	FPM O-Ring Kod - Code	Fiyat/Ad Price/Pcs
16 x 3/8"	16	125	228 00 016 2	2.50 €	228 55 016 2	3.25 €
20 x 1/2"	16	125	228 00 020 2	2.00 €	228 55 020 2	2.60 €
25 x 3/4"	16	100	228 00 025 2	2.60 €	228 55 025 2	3.38 €
32 x 1"	16	50	228 00 032 2	3.50 €	228 55 032 2	4.55 €
40 x 1 1/4"	16	30	228 00 040 2	3.80 €	228 55 040 2	4.94 €
50 x 1 1/2"	16	45	228 00 050 2	5.00 €	228 55 050 2	6.50 €
63 x 2"	16	25	228 00 063 2	6.00 €	228 55 063 2	7.80 €
75 x 2 1/2"	16	18	228 00 075 2	13.50 €	228 55 075 2	17.55 €
90 x 3"	16	10	228 00 090 2	18.00 €	228 55 090 2	23.40 €
110 x 4"	16	7	228 00 110 2	23.00 €	228 55 110 2	30.00 €



UH-PVC
Çift Taraf İçten
Dişli Rakor

UH-PVC
Both Sides
Female Threaded
Union

Su İçin / For Water

Asit İçin / For Acid

Çap Dia	Pn	Koli / Ad. Box/Pcs	EPDM O-Ring Kod - Code	Fiyat/Ad Price/Pcs	FPM O-Ring Kod - Code	Fiyat/Ad Price/Pcs
16 x 3/8"	16	125	229 00 016 2	3.00 €	229 55 016 2	3.90 €
20 x 1/2"	16	125	229 00 020 2	2.50 €	229 55 020 2	3.25 €
25 x 3/4"	16	155	229 00 025 2	3.10 €	229 55 025 2	4.00 €
32 x 1"	16	50	229 00 032 2	4.10 €	229 55 032 2	5.30 €
40 x 1 1/4"	16	30	229 00 040 2	4.35 €	229 55 040 2	5.65 €
50 x 1 1/2"	16	45	229 00 050 2	5.90 €	229 55 050 2	7.67 €
63 x 2"	16	25	229 00 063 2	6.85 €	229 55 063 2	8.90 €
75 x 2 1/2"	16	18	229 00 075 2	14.20 €	229 55 075 2	18.46 €
90 x 3"	16	10	229 00 090 2	19.50 €	229 55 090 2	25.35 €
110 x 4"	16	7	229 00 110 2	24.90 €	229 55 110 2	32.37 €



UH-PVC
Pompa Rakoru
Dış Dişli

UH-PVC
Male Threaded
Union

Su İçin / For Water

Asit İçin / For Acid

Çap Dia	Pn	Koli / Ad. Box/Pcs	EPDM O-Ring Kod - Code	Fiyat/Ad Price/Pcs	FPM O-Ring Kod - Code	Fiyat/Ad Price/Pcs
50 x 1 1/2"	16	45	230 00 050 2	4.10 €	230 55 050 2	5.33 €
63x50 x 1 1/2"	16	30	230 00 063 2	4.90 €	230 55 063 2	6.37 €
63 x 2"	16	63	230 01 063 2	4.95 €	230 56 063 2	6.45 €

● Su İçin / For Water

● Asit İçin / For Acid

U-PVC/PPRC BORU. EK PARÇA. VANA

U-PVC/PPRC pipe. fitting. valve



U-PVC Küresel Vanalar



U-PVC
Yapiştirma Muflu
Küresel Su Vanası

U-PVC
Solvent Cement
True Union Ball Valve
For Water

UH-PVC Ball Valves

Çap Dia	Kod / Code EPDM O-Ring	Basınç Pn	Koli / Ad. Box/Pcs	Fiyat / Ad Price/Pcs
16	202 00 016 2	16	55	6.30 €
20	202 00 020 2	16	55	5.20 €
25	202 00 025 2	16	75	5.50 €
32	202 00 032 2	16	60	6.50 €
40	202 00 040 2	16	30	7.00 €
50	202 00 050 2	16	20	8.20 €
63	202 00 063 2	16	12	10.80 €
75	202 00 075 2	16	9	28.00 €
90	202 00 090 2	16	4	37.00 €
110	202 00 110 2	16	2	55.00 €



U-PVC
Küresel Su Vanası
(Tek Taraf İçten Dışli)

U-PVC
One Side Female Threaded
True Union Ball Valve For
Water

Çap Dia	Kod / Code EPDM O-Ring	Basınç Pn	Koli / Ad. Box/Pcs	Fiyat / Ad Price/Pcs
16 x 3/8"	203 00 016 2	16	55	7.20 €
20 x 1/2"	203 00 020 2	16	55	6.10 €
25 x 3/4"	203 00 025 2	16	75	6.50 €
32 x 1"	203 00 032 2	16	60	7.80 €
40 x 1 1/4"	203 00 040 2	16	30	8.30 €
50 x 1 1/2"	203 00 050 2	16	20	9.50 €
63 x 2"	203 00 063 2	16	12	12.10 €
75 x 2 1/2"	203 00 075 2	16	9	30.00 €
90 x 3"	203 00 090 2	16	4	39.00 €
110 x 4"	203 00 110 2	16	2	58.00 €



U-PVC
Küresel Su Vanası
(Çift Taraf İçten Dışli)

U-PVC
Both Sides Female
Threaded True Union Ball
Valve For Water

Çap Dia	Kod / Code EPDM O-Ring	Basınç Pn	Koli / Ad. Box/Pcs	Fiyat / Ad Price/Pcs
3/8"	204 00 016 2	16	55	8.10 €
1/2"	204 00 020 2	16	55	7.00 €
3/4"	204 00 025 2	16	75	7.40 €
1"	204 00 032 2	16	60	8.90 €
1 1/4"	204 00 040 2	16	30	9.40 €
1 1/2"	204 00 050 2	16	20	10.80 €
2"	204 00 063 2	16	12	13.40 €
2 1/2"	204 00 075 2	16	9	32.00 €
3"	204 00 090 2	16	4	41.00 €
4"	204 00 110 2	16	2	61.00 €



U-PVC
Yapiştirma Muflu
Küresel Su Vanası
(Çift Taraf Flanş Bağlantılı)

U-PVC
Solvent Cement
Both Sides Flanged
True Union Ball Valve
For Water

Çap Dia	Kod / Code EPDM O-Ring	Basınç Pn	Koli / Ad. Box/Pcs	Fiyat / Ad Price/Pcs
20	208 00 020 2	16	40	16.30 €
25	208 00 025 2	16	30	17.40 €
32	208 00 032 2	16	25	18.35 €
40	208 00 040 2	16	20	19.50 €
50	208 00 050 2	16	10	24.00 €
63	208 00 063 2	16	10	26.50 €
75	208 00 075 2	16	4	52.00 €
90	208 00 090 2	16	2	62.50 €
110	208 00 110 2	16	1	104.70 €

U-PVC Kelebek Vanalar

UH-PVC butterfly valves



**U-PVC
Kelebek Vana
(Çıplak)**

**U-PVC
Butterfly Valve
(Without Flange)**

Su İçin / For Water

Asit İçin / For Acid

Çap Dia	Pn	Koli / Ad. Box/Pcs	Kod Code EPDM O-Ring	Fiyat / Ad Price/Pcs	Kod Code FPM O-Ring	Fiyat/Ad Price/Pcs
63	10	1	201 00 063 4	41.00 €	201 01 063 4	61.50 €
75	10	1	201 00 075 4	45.00 €	201 01 075 4	67.50 €
90	10	1	201 00 090 4	48.00 €	201 01 090 4	72.00 €
110	10	1	201 00 110 4	55.00 €	201 01 110 4	82.50 €
125	10	1	201 00 125 4	62.00 €	201 01 125 4	93.00 €
140	10	1	201 00 140 4	62.00 €	201 01 140 4	93.00 €
160	10	1	201 00 160 4	79.00 €	201 01 160 4	118.50 €
200	10	1	201 00 200 4	132.00 €	201 01 200 4	198.00 €
225	10	1	201 00 225 4	132.00 €	201 01 225 4	198.00 €
250	10	1	201 00 250 4	350.00 €	201 01 250 4	525.00 €
280	10	1	201 00 280 4	350.00 €	201 01 280 4	525.00 €
315	10	1	201 00 315 4	900.00 €	201 01 315 4	1.350.00 €



**U-PVC
Flanşlı Kelebek Vana
(Takım)**

**U-PVC
Butterfly Valve
With Flange**

Su İçin / For Water

Asit İçin / For Acid

Çap Dia	Pn	Koli / Ad. Box/Pcs	Kod Code EPDM O-Ring	Fiyat / Ad Price/Pcs	Kod Code FPM O-Ring	Fiyat/Ad Price/Pcs
63	10	1	200 00 063 4	60.00 €	200 01 063 4	90.00 €
75	10	1	200 00 075 4	65.00 €	200 01 075 4	97.50 €
90	10	1	200 00 090 4	72.00 €	200 01 090 4	108.00 €
110	10	1	200 00 110 4	81.00 €	200 01 110 4	121.50 €
125	10	1	200 00 125 4	95.00 €	200 01 125 4	142.50 €
140	10	1	200 00 140 4	95.00 €	200 01 140 4	142.50 €
160	10	1	200 00 160 4	139.00 €	200 01 160 4	208.50 €
200	10	1	200 00 200 4	195.00 €	200 01 200 4	292.50 €
225	10	1	200 00 225 4	199.00 €	200 01 225 4	298.50 €
250	10	1	200 00 250 4	505.00 €	200 01 250 4	757.00 €
280	10	1	200 00 280 4	520.00 €	200 01 280 4	780.00 €
315	10	1	200 00 315 4	1.150.00 €	200 01 315 4	1.725.00 €



**U-PVC
Flanşlı Kelebek
Vana (Takım - 304
Paslanmaz
Civata-Somun Pul)**

**U-PVC
Butterfly Valve
With Flange
(304 S.S. Screw.
Nut. Washer)**

Su İçin / For Water

Asit İçin / For Acid

Çap Dia	Pn	Koli / Ad. Box/Pcs	Kod Code EPDM O-Ring	Fiyat / Ad Price/Pcs	Kod Code FPM O-Ring	Fiyat/Ad Price/Pcs
63	10	1	200 02 063 4	84.00 €	200 03 063 4	109.20 €
75	10	1	200 02 075 4	91.00 €	200 03 075 4	118.30 €
90	10	1	200 02 090 4	100.80 €	200 03 090 4	131.04 €
110	10	1	200 02 110 4	119.00 €	200 03 110 4	154.70 €
125	10	1	200 02 125 4	133.00 €	200 03 125 4	172.90 €
140	10	1	200 02 140 4	133.00 €	200 03 140 4	172.90 €
160	10	1	200 02 160 4	194.60 €	200 03 160 4	252.98 €
200	10	1	200 02 200 4	273.00 €	200 03 200 4	354.90 €
225	10	1	200 02 225 4	278.60 €	200 03 225 4	362.18 €
250	10	1	200 02 250 4	707.00 €	200 03 250 4	919.10 €
280	10	1	200 02 280 4	728.00 €	200 03 280 4	964.60 €
315	10	1	200 02 315 4	1.610.00 €	200 03 315 4	2.093.00 €



**U-PVC
Flanşlı Kelebek
Vana (Takım - 316
Paslanmaz
Civata-Somun Pul)**

**U-PVC
Butterfly Valve
With Flange
(316 S.S. Screw.
Nut. Washer)**

Su İçin / For Water

Asit İçin / For Acid

Çap Dia	Pn	Koli / Ad. Box/Pcs	Kod Code EPDM O-Ring	Fiyat / Ad Price/Pcs	Kod Code FPM O-Ring	Fiyat/Ad Price/Pcs
63	10	1	200 04 063 4	126.00 €	200 05 063 4	176.40 €
75	10	1	200 04 075 4	136.50 €	200 05 075 4	191.10 €
90	10	1	200 04 090 4	151.20 €	200 05 090 4	211.68 €
110	10	1	200 04 110 4	178.50 €	200 05 110 4	249.90 €
125	10	1	200 04 125 4	199.50 €	200 05 125 4	279.30 €
140	10	1	200 04 140 4	199.50 €	200 05 140 4	279.30 €
160	10	1	200 04 160 4	291.90 €	200 05 160 4	408.66 €
200	10	1	200 04 200 4	409.50 €	200 05 200 4	573.30 €
225	10	1	200 04 225 4	417.90 €	200 05 225 4	585.06 €
250	10	1	200 04 250 4	1.060.50 €	200 05 250 4	1.484.70 €
280	10	1	200 04 280 4	1.092.00 €	200 05 280 4	1.528.80 €
315	10	1	200 04 315 4	2.415.00 €	200 05 315 4	3.381.00 €

● Su İçin / For Water

● Asit İçin / For Acid

U-PVC/PPRC BORU. EK PARÇA. VANA

U-PVC/PPRC pipe. fitting. valve



U-PVC
Yapıştırma Muflu
Küresel Tek Taraflı Vana

U-PVC
Solvent Cement
Single Union Ball Valve
Both Side Solvent Cement
Socketed

Çap Dia	Kod / Code EPDM O-Ring	Basınç Pn	Koli / Ad. Box/Pcs	Fiyat / Ad Price/Pcs
20	232 00 020 2	16	55	4.42 €
25	232 00 025 2	16	56	4.68 €
32	232 00 032 2	16	60	5.53 €
40	232 00 040 2	16	30	5.95 €
50	232 00 050 2	16	24	6.97 €
63	232 00 063 2	16	12	9.18 €
75	232 00 075 2	16	9	23.80 €
90	232 00 090 2	16	4	31.45 €
110	232 00 110 2	16	2	46.75 €



U-PVC
Yapıştırma Muflu
Küresel Tek Taraflı Vana
Çift Taraf İçten Dişli

U-PVC
Solvent Cement
Both Sides Female Threaded
Single Union Ball Valve

Çap Dia	Kod / Code EPDM O-Ring	Basınç Pn	Koli / Ad. Box/Pcs	Fiyat / Ad Price/Pcs
20 x 1/2"	232 40 020 2	16	55	6.09 €
25 x 3/4"	232 40 025 2	16	56	6.43 €
32 x 1"	232 40 032 2	16	60	7.74 €
40 x 1 1/4"	232 40 040 2	16	30	8.17 €
50 x 1 1/2"	232 40 050 2	16	24	9.39 €
63 x 2"	232 40 063 2	16	12	11.65 €
75 x 2 1/2"	232 40 075 2	16	9	27.83 €
90 x 3"	232 40 090 2	16	4	35.65 €
110 x 4"	232 40 110 2	16	2	53.04 €



U-PVC
Yapıştırma Muflu
Küresel Tek Taraflı Vana
Tek Taraf İçten Dişli

U-PVC
Solvent Cement
One Side Female Threaded
Single Union Ball Valve

Çap Dia	Kod / Code EPDM O-Ring	Basınç Pn	Koli / Ad. Box/Pcs	Fiyat / Ad Price/Pcs
20 x 1/2"	232 20 020 2	16	55	5.30 €
25 x 3/4"	232 20 025 2	16	56	5.65 €
32 x 1"	232 20 032 2	16	60	6.78 €
40 x 1 1/4"	232 20 040 2	16	30	7.22 €
50 x 1 1/2"	232 20 050 2	16	24	8.26 €
63 x 2"	232 20 063 2	16	12	10.52 €
75 x 2 1/2"	232 20 075 2	16	9	26.09 €
90 x 3"	232 20 090 2	16	4	33.91 €
110 x 4"	232 20 110 2	16	2	50.43 €



U-PVC
Yapıştırma Muflu
Küresel Tek Taraflı Vana
Tek Taraf Dıştan Dişli

U-PVC
Solvent Cement
One Side Male Threaded
Single Union Ball Valve

Çap Dia	Kod / Code EPDM O-Ring	Basınç Pn	Koli / Ad. Box/Pcs	Fiyat / Ad Price/Pcs
20 x 1/2"	232 60 020 2	16	55	5.30 €
25 x 3/4"	232 60 025 2	16	56	5.65 €
32 x 1"	232 60 032 2	16	60	6.78 €
40 x 1 1/4"	232 60 040 2	16	30	7.22 €
50 x 1 1/2"	232 60 050 2	16	24	8.26 €
63 x 2"	232 60 063 2	16	12	10.52 €
75 x 2 1/2"	232 60 075 2	16	9	26.09 €
90 x 3"	232 60 090 2	16	4	33.91 €
110 x 4"	232 60 110 2	16	2	50.43 €



U-PVC
Yapıştırma Muflu
Küresel Tek Taraflı Vana
Tek Taraf İçten Dişli
Tek Taraf Dış Dişli

U-PVC
Solvent Cement
One Side Female Threaded
Other Side Male Threaded
Single Union Ball Valve

Çap Dia	Kod / Code EPDM O-Ring	Basınç Pn	Koli / Ad. Box/Pcs	Fiyat / Ad Price/Pcs
20 x 1/2"	232 80 020 2	16	55	6.09 €
25 x 3/4"	232 80 025 2	16	56	6.43 €
32 x 1"	232 80 032 2	16	60	7.74 €
40 x 1 1/4"	232 80 040 2	16	30	8.17 €
50 x 1 1/2"	232 80 050 2	16	24	9.39 €
63 x 2"	232 80 063 2	16	12	11.65 €
75 x 2 1/2"	232 80 075 2	16	9	27.83 €
90 x 3"	232 80 090 2	16	4	35.65 €
110 x 4"	232 80 110 2	16	2	53.04 €



U-PVC
Yapıştırma Muflu
Küresel Asit Vanası

U-PVC
Solvent Cement
True Union Ball Valve
For Acid

Asit İçin / For Acid

Çap Dia	Pn	Koli / Ad. Box/Pcs	Kod / Code EPDM - PTFE O-Ring	Fiyat / Ad Price/Pcs	Kod / Code FPM - PTFE O-Ring	Fiyat / Ad Price/Pcs
20	16	55	205 00 020 2	7.40 €	234 00 020 2	12.46 €
25	16	75	205 00 025 2	9.40 €	234 00 025 2	16.78 €
32	16	60	205 00 032 2	12.60 €	234 00 032 2	19.98 €
40	16	30	205 00 040 2	15.60 €	234 00 040 2	25.89 €
50	16	20	205 00 050 2	18.20 €	234 00 050 2	32.29 €
63	16	12	205 00 063 2	22.00 €	234 00 063 2	40.94 €
75	16	9	205 00 075 2	52.00 €	234 00 075 2	92.45 €
90	16	4	205 00 090 2	67.00 €	234 00 090 2	92.76 €
110	16	2	205 00 110 2	86.00 €	234 00 110 2	130.50 €



U-PVC
Küresel Asit Vanası
(Tek Taraf İçten Dışli)

U-PVC
One Side Female
Threaded True Union
Ball Valves
For Acid

Asit İçin / For Acid

Çap Dia	Pn	Koli / Ad. Box/Pcs	Kod / Code EPDM - PTFE O-Ring	Fiyat / Ad Price/Pcs	Kod / Code FPM - PTFE O-Ring	Fiyat / Ad Price/Pcs
20 x 1/2"	16	55	206 00 020 2	8.30 €	235 00 020 2	13.36 €
25 x 3/4"	16	75	206 00 025 2	10.40 €	235 00 025 2	17.78 €
32 x 1"	16	60	206 00 032 2	13.90 €	235 00 032 2	21.28 €
40 x 1 1/4"	16	30	206 00 040 2	16.90 €	235 00 040 2	27.19 €
50 x 1 1/2"	16	20	206 00 050 2	19.50 €	235 00 050 2	33.59 €
63 x 2"	16	12	206 00 063 2	23.30 €	235 00 063 2	42.24 €
75 x 2 1/2"	16	9	206 00 075 2	54.00 €	235 00 075 2	94.45 €
90 x 3"	16	4	206 00 090 2	69.00 €	235 00 090 2	94.76 €
110 x 4"	16	2	206 00 110 2	89.00 €	235 00 110 2	133.50 €



U-PVC
Küresel Asit Vanası
(Çift Taraf İçten Dışli)

U-PVC
Both Sides Female
Threaded True Union
Ball Valve For Acid

Asit İçin / For Acid

Bsp Inch	Pn	Koli / Ad. Box/Pcs	Kod / Code EPDM - PTFE O-Ring	Fiyat / Ad Price/Pcs	Kod / Code FPM - PTFE O-Ring	Fiyat / Ad Price/Pcs
1/2"	16	55	207 00 020 2	9.20 €	236 00 020 2	14.26 €
3/4"	16	75	207 00 025 2	11.20 €	236 00 025 2	18.58 €
1"	16	60	207 00 032 2	14.20 €	236 00 032 2	21.58 €
1 1/4"	16	30	207 00 040 2	17.20 €	236 00 040 2	27.49 €
1 1/2"	16	20	207 00 050 2	20.80 €	236 00 050 2	34.89 €
2"	16	12	207 00 063 2	24.60 €	236 00 063 2	43.54 €
2 1/2"	16	9	207 00 075 2	56.00 €	236 00 075 2	96.45 €
3"	16	4	207 00 090 2	71.00 €	236 00 090 2	96.76 €
4"	16	2	207 00 110 2	93.00 €	236 00 110 2	137.50 €



U-PVC
Küresel Asit Vanası
(Çift Taraf Flanş Bağlantı)

U-PVC
Both Sides Flanged
True Union
Ball Valve For Acid

Asit İçin / For Acid

Bsp Inch	Pn	Koli / Ad. Box/Pcs	Kod / Code EPDM - PTFE O-Ring	Fiyat / Ad Price/Pcs	Kod / Code FPM - PTFE O-Ring	Fiyat / Ad Price/Pcs
20	16	40	209 00 020 2	19,50 €	237 00 020 2	24,56 €
25	16	30	209 00 025 2	21,50 €	237 00 025 2	28,88 €
32	16	25	209 00 032 2	25,00 €	237 00 032 2	32,38 €
40	16	20	209 00 040 2	30,00 €	237 00 040 2	40,29 €
50	16	10	209 00 050 2	33,00 €	237 00 050 2	47,09 €
63	16	10	209 00 063 2	38,00 €	237 00 063 2	56,94 €
75	16	4	209 00 075 2	80,00 €	237 00 075 2	120,50 €
90	16	2	209 00 090 2	90,00 €	237 00 090 2	125,80 €
110	16	1	209 00 110 2	155,00 €	237 00 110 2	199,50 €

● Yüksek Dayanımlı Asit İçin / For High Strength Acid

● Düşük Dayanımlı Asit İçin / For Low Strength Acid

U-PVC/PPRC BORU. EK PARÇA. VANA

U-PVC/PPRC pipe. fitting. valve



U-PVC Çekvalfler

UH-PVC checkvalves



U-PVC
Çıplak Çalparalı Çekvalf

U-PVC
Wafer Checkvalve



U-PVC
Flanş Bağlantılı
Çalparalı Çekvalf

U-PVC
Wafer Checkvalve
With Flange



U-PVC
Flanş Bağlantılı
Çalparalı Çekvalf
(Takım - 304 Paslanmaz
Civata - Somun - Pul)

U-PVC
Wafer Checkvalve With
Flange (304 S.S. Screw,
Nut, Washer)



U-PVC
Flanş Bağlantılı
Çalparalı Çekvalf
(Takım - 316 Paslanmaz
Civata - Somun - Pul)

U-PVC
Wafer Checkvalve With
Flange (316 S.S. Screw,
Nut, Washer)

Su İçin / For Water

Asit İçin / For Acid

Çap Dia	Pn	Koli / Ad. Box/Pcs	Kod Code EPDM O-Ring	Fiyat / Ad Price / Pcs	Kod Code FPM O-Ring	Fiyat / Ad Price / Pcs
63	10	40	221 01 063 2	20.75 €	221 02 063 2	28.20 €
75	10	30	221 01 075 2	25.75 €	221 02 075 2	34.70 €
90	10	25	221 01 090 2	28.75 €	221 02 090 2	38.60 €
110	10	20	221 01 110 2	33.85 €	221 02 110 2	45.30 €
125	10	15	221 01 125 2	38.80 €	221 02 125 2	51.70 €
140	10	15	221 01 140 2	44.40 €	221 02 140 2	60.30 €
160	10	15	221 01 160 2	50.00 €	221 02 160 2	68.20 €
200	10	10	221 01 200 2	62.00 €	221 02 200 2	85.15 €
225	10	10	221 01 225 2	71.00 €	221 02 225 2	92.30 €
250	10	2	221 01 250 2	135.00 €	221 02 250 2	195.00 €
280	10	1	221 01 280 2	203.00 €	221 02 280 2	248.00 €
315	10	1	221 01 315 2	275.00 €	221 02 315 2	377.00 €
400	10	1	221 01 400 2	600.00 €	221 02 400 2	780.00 €

Su İçin / For Water

Asit İçin / For Acid

Çap Dia	Pn	Koli / Ad. Box/Pcs	Kod Code EPDM O-Ring	Fiyat / Ad Price / Pcs	Kod Code FPM O-Ring	Fiyat / Ad Price / Pcs
63	10	8	221 00 063 2	38.00 €	221 03 063 2	49.40 €
75	10	4	221 00 075 2	42.00 €	221 03 075 2	54.60 €
90	10	4	221 00 090 2	48.00 €	221 03 090 2	62.40 €
110	10	4	221 00 110 2	58.00 €	221 03 110 2	75.40 €
125	10	2	221 00 125 2	63.00 €	221 03 125 2	81.90 €
140	10	2	221 00 140 2	73.00 €	221 03 140 2	95.00 €
160	10	2	221 00 160 2	83.00 €	221 03 160 2	108.00 €
200	10	1	221 00 200 2	124.00 €	221 03 200 2	161.00 €
225	10	1	221 00 225 2	144.00 €	221 03 225 2	187.00 €
250	10	1	221 00 250 2	304.00 €	221 03 250 2	395.00 €
280	10	1	221 00 280 2	378.00 €	221 03 280 2	491.00 €
315	10	1	221 00 315 2	531.00 €	221 03 315 2	690.00 €
400	10	1	221 00 400 2	1.200.00 €	221 03 400 2	1.560.00 €

Su İçin / For Water

Asit İçin / For Acid

Çap Dia	Pn	Koli / Ad. Box/Pcs	Kod Code EPDM O-Ring	Fiyat / Ad Price / Pcs	Kod Code FPM O-Ring	Fiyat / Ad Price / Pcs
63	10	8	221 04 063 2	53.20 €	221 05 063 2	63.84 €
75	10	4	221 04 075 2	58.80 €	221 05 075 2	70.56 €
90	10	4	221 04 090 2	67.20 €	221 05 090 2	80.64 €
110	10	4	221 04 110 2	81.20 €	221 05 110 2	97.44 €
125	10	2	221 04 125 2	88.20 €	221 05 125 2	105.84 €
140	10	2	221 04 140 2	102.20 €	221 05 140 2	122.64 €
160	10	2	221 04 160 2	116.20 €	221 05 160 2	139.44 €
200	10	1	221 04 200 2	173.60 €	221 05 200 2	208.32 €
225	10	1	221 04 225 2	201.60 €	221 05 225 2	241.92 €
250	10	1	221 04 250 2	425.60 €	221 05 250 2	510.72 €
280	10	1	221 04 280 2	529.20 €	221 05 280 2	635.04 €
315	10	1	221 04 315 2	742.40 €	221 05 315 2	892.08 €
400	10	1	221 04 200 2	1.680.00 €	221 05 400 2	2.016.00 €

Su İçin / For Water

Asit İçin / For Acid

Çap Dia	Pn	Koli / Ad. Box/Pcs	Kod Code EPDM O-Ring	Fiyat / Ad Price / Pcs	Kod Code FPM O-Ring	Fiyat / Ad Price / Pcs
63	10	8	221 06 063 2	74.48 €	221 07 063 2	89.38 €
75	10	4	221 06 075 2	82.32 €	221 07 075 2	98.78 €
90	10	4	221 06 090 2	94.08 €	221 07 090 2	112.90 €
110	10	4	221 06 110 2	113.68 €	221 07 110 2	136.42 €
125	10	2	221 06 125 2	123.48 €	221 07 125 2	148.18 €
140	10	2	221 06 140 2	143.08 €	221 07 140 2	171.70 €
160	10	2	221 06 160 2	162.68 €	221 07 160 2	195.22 €
200	10	1	221 06 200 2	243.04 €	221 07 200 2	291.65 €
225	10	1	221 06 225 2	282.24 €	221 07 225 2	338.69 €
250	10	1	221 06 250 2	595.84 €	221 07 250 2	715.00 €
280	10	1	221 06 280 2	740.88 €	221 07 280 2	889.06 €
315	10	1	221 06 315 2	1.040.76 €	221 07 315 2	1.248.91 €
400	10	1	221 06 200 2	2.352.00 €	221 07 400 2	2.822.40 €

● Su İçin / For Water

● Asit İçin / For Acid



U-PVC
Yapıştırma Muflu
Yaylı Çekvalf

U-PVC
Solvent Cement
Spring Checkvalve

Çap Dia	Basınç Pn	Koli / Ad. Box/Pcs	EPDM Kod	Fiyat / Ad Price / Pcs
16	16	60	214 00 016 2	6.25 €
20	16	60	214 00 020 2	5.25 €
25	16	75	214 00 025 2	5.75 €
32	16	60	214 00 032 2	7.15 €
40	16	32	214 00 040 2	7.85 €
50	16	20	214 00 050 2	8.85 €
63	16	13	214 00 063 2	11.75 €
75	16	9	214 00 075 2	27.50 €
90	16	4	214 00 090 2	30.50 €
110	16	2	214 00 110 2	53.50 €



U-PVC
Tek Taraf İçten Dişli
Yaylı Çekvalf

U-PVC
One Side Female Threaded
Spring Checkvalve

Çap Dia	Basınç Pn	Koli / Ad. Box/Pcs	EPDM Kod	Fiyat / Ad Price / Pcs
16 x 3/8"	16	60	215 00 016 2	6.85 €
20 x 1/2"	16	60	215 00 020 2	5.85 €
25 x 3/4"	16	75	215 00 025 2	6.35 €
32 x 1"	16	60	215 00 032 2	7.85 €
40 x 1 1/4"	16	32	215 00 040 2	8.55 €
50 x 1 1/2"	16	20	215 00 050 2	9.75 €
63 x 2"	16	13	215 00 063 2	12.65 €
75 x 2 1/2"	16	9	215 00 075 2	29.05 €
90 x 3"	16	4	215 00 090 2	32.05 €
110 x 4"	16	2	215 00 110 2	55.00 €



U-PVC
Çift Taraf İçten Dişli
Yaylı Çekvalf

U-PVC
Both Sides Female Threaded
Spring Checkvalve

Çap Dia	Basınç Pn	Koli / Ad. Box/Pcs	EPDM Kod	Fiyat / Ad Price / Pcs
3/8" x 3/8"	16	60	216 00 016 2	7.45 €
1/2" x 1/2"	16	60	216 00 020 2	6.45 €
3/4" x 3/4"	16	75	216 00 025 2	6.95 €
1" x 1"	16	60	216 00 032 2	8.55 €
1 1/4" x 1 1/4"	16	32	216 00 040 2	9.25 €
1 1/2" x 1 1/2"	16	20	216 00 050 2	10.65 €
2" x 2"	16	13	216 00 063 2	13.55 €
2 1/2" x 2 1/2"	16	9	216 00 075 2	30.00 €
3" x 3"	16	4	216 00 090 2	33.00 €
4" x 4"	16	2	216 00 110 2	56.00 €



U-PVC
Y Çekvalf

U-PVC
Angle Seat Valve

Çap Dia	Basınç Pn	Koli / Ad. Box/Pcs	EPDM Kod / Code	Fiyat/Ad Price/Pcs
20	16	1	222 00 020 4	51.00 €
25	16	1	222 00 025 4	60.00 €
32	16	1	222 00 032 4	72.00 €
40	16	1	222 00 040 4	89.00 €
50	16	1	222 00 050 4	129.00 €
63	16	1	222 00 063 4	187.00 €
75	16	1	222 00 075 4	321.00 €
90	16	1	222 00 090 4	417.00 €



U-PVC
T Çekvalf

U-PVC
T Checkvalve

Çap Dia	Dn mm	Pn	Koli / Ad. Box/Pcs	Su İçin / For Water		Asit İçin / For Acid	
				Kod Code EPDM O-Ring	Fiyat/Ad Price/Pcs	Kod Code FPM O-Ring	Fiyat/Ad Price/Pcs
50	40	10	40	218 00 050 2	5.50 €	218 01 050 2	7.15 €
63	50	10	22	218 00 063 2	7.00 €	218 01 063 2	9.10 €
75	65	10		218 00 075 2	17.00 €	218 01 075 2	22.10 €
90	80	10		218 00 090 2	25.93 €	218 01 090 2	33.70 €
110	100	10		218 00 110 2	40.90 €	218 01 110 2	53.17 €

● Su İçin / For Water

● Asit İçin / For Acid

U-PVC/PPRC BORU. EK PARÇA. VANA

U-PVC/PPRC pipe. fitting. valve



UH-PVC / PP Priz Kolye



**U-PVC
Biberon Kolye**

**U-PVC
Clamp Saddle With
Hose Adaptor**



**U-PVC
Priz Kolye**

**U-PVC
Clamp Saddle
(4 Bolts)**



**PP
Priz Kolye (4 Civata)**

**PP
Clamp Saddle
(4 Bolts)**

UH-PVC / PP clamp saddle

Çap Dia	Kod Code	Koli / Ad. Box/Pcs	Fiyat/Ad Price/Pcs
63 x 1/2"	530 00 63020 2	100	1.85 €
63 x 3/4"	530 00 63025 2	100	1.90 €
63 x 1"	530 00 63032 2	100	1.95 €
90 x 1/2"	530 00 90020 2	100	2.20 €
90 x 3/4"	530 00 90025 2	100	2.25 €
90 x 1"	530 00 90032 2	100	2.35 €

Çap Dia	Kod Code	Basınç Pn	Koli / Ad. Box/Pcs	Fiyat/Ad Price/Pcs
25 x 1/2"	529 00 25020 4	16	50	0.86 €
32 x 1/2"	529 00 32020 4	16	50	0.92 €
32 x 3/4"	529 00 32025 4	16	50	0.93 €
40 x 1/2"	529 00 40020 4	16	50	0.97 €
40 x 3/4"	529 00 40025 4	16	50	0.99 €
40 x 1"	529 00 40032 4	16	50	1.03 €
50 x 1/2"	529 00 50020 4	16	40	1.13 €
50 x 3/4"	529 00 50025 4	16	40	1.15 €
50 x 1"	529 00 50032 4	16	40	1.16 €
63 x 1/2"	529 00 63020 2	16	30	3.50 €
63 x 3/4"	529 00 63025 2	16	30	3.60 €
63 x 1"	529 00 63032 2	16	30	3.70 €
75 x 1/2"	529 00 75020 2	16	30	4.60 €
75 x 3/4"	529 00 75025 2	16	30	4.75 €
75 x 1"	529 00 75032 2	16	30	4.95 €
90 x 1/2"	529 00 90020 2	16	25	6.33 €
90 x 3/4"	529 00 90025 2	16	24	6.44 €
90 x 1"	529 00 90032 2	16	24	6.62 €
110 x 1/2"	529 00 11020 4	16	15	8.03 €
110 x 3/4"	513 00 11025 4	16	15	8.14 €
110 x 1"	513 00 11032 5	16	15	8.30 €

Çap Dia	Kod Code	Basınç Pn	Koli / Ad. Box/Pcs	Fiyat/Ad Price/Pcs
25 x 1/2"	529 01 25020 2	16	150	0.62 €
32 x 1/2"	529 01 32020 2	16	125	0.68 €
32 x 3/4"	529 01 32025 2	16	125	0.68 €
40 x 1/2"	529 01 40020 2	16	80	0.76 €
40 x 3/4"	529 01 40025 2	16	80	0.77 €
40 x 1"	529 01 40032 2	16	80	0.80 €
50 x 1/2"	529 01 50020 2	16	40	1.06 €
50 x 3/4"	529 01 50025 2	16	40	1.06 €
50 x 1"	529 01 50032 2	16	40	1.06 €
63 x 1/2"	529 01 63020 2	16	30	1.45 €
63 x 3/4"	529 01 63025 2	16	30	1.45 €
63 x 1"	529 01 63032 2	16	30	1.45 €
63 x 1 1/4"	529 01 63040 2	16	30	1.50 €
63 x 1 1/2"	529 01 63050 2	16	30	1.50 €
75 x 1/2 "	529 01 75020 2	16	20	1.76 €
75 x 3/4"	529 01 75025 2	16	20	1.76 €
75 x 1"	529 01 75032 2	16	20	1.76 €
75 x 1 1/4"	529 01 75040 2	16	20	1.76 €
75 x 1 1/2"	529 01 75050 2	16	20	1.76 €
90 x 1/2"	529 01 90020 2	16	15	1.94 €
90 x 3/4"	529 01 90025 2	16	15	1.94 €
90 x 1"	529 01 90032 2	16	15	1.94 €
90 x 1 1/4"	529 01 90040 2	16	15	1.94 €
90 x 1 1/2"	529 01 90050 2	16	15	1.94 €
90 x 2"	529 01 90063 2	16	15	1.94 €
110 x 1/2"	529 01 11020 2	16	10	2.29 €

Çap Dia	Kod Code	Basınç Pn	Koli / Ad. Box/Pcs	Fiyat/Ad Price/Pcs
110 x 3/4"	529 01 11025 2	16	10	2.29 €
110 x 1"	529 01 11032 2	16	10	2.29 €
110 x 1 1/4"	529 01 11040 2	16	10	2.29 €
110 x 1 1/2 "	529 01 11050 2	16	10	2.29 €
110 x 2"	529 01 11063 2	16	10	2.29 €
125 x 1/2"	529 01 12520 2	16	10	3.85 €
125 x 3/4"	529 01 12525 2	16	10	3.85 €
125 x 1"	529 01 12532 2	16	10	3.85 €
125 x 1 1/4"	529 01 12540 2	16	10	3.85 €
125 x 1 1/2"	529 01 12550 2	16	10	3.85 €
125 x 2"	529 01 12563 2	16	10	3.85 €
125 x 2 1/2"	529 01 12575 2	16	10	3.85 €
140 x 1/2"	529 01 14020 2	16	6	5.13 €
140 x 3/4"	529 01 14025 2	16	6	5.13 €
140 x 1"	529 01 14032 2	16	6	5.13 €
140 x 1 1/4"	529 01 14040 2	16	6	5.13 €
140 x 1 1/2"	529 01 14050 2	16	6	5.13 €
140 x 2"	529 01 14063 2	16	6	5.13 €
140 x 2 1/2"	529 01 14075 2	16	6	5.13 €
160 x 1/2"	529 01 16020 2	16	5	5.63 €
160 x 3/4"	529 01 16025 2	16	5	5.63 €
160 x 1"	529 01 16032 2	16	5	5.63 €
160 x 1 1/4"	529 01 16040 2	16	5	5.63 €
160 x 1 1/2"	529 01 16050 2	16	5	5.63 €
160 x 2"	529 01 16063 2	16	5	5.63 €
160 x 2 1/2"	529 01 16075 2	16	5	5.63 €

www.atlasgruphavuz.com



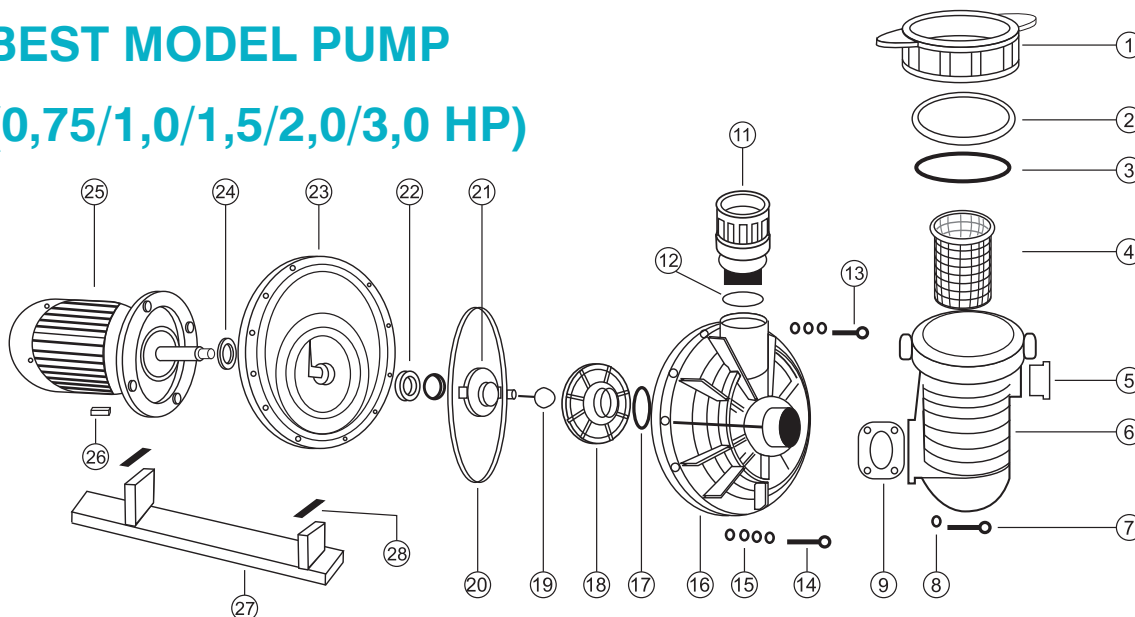


Atlaspool

**SPARE
PARTS**



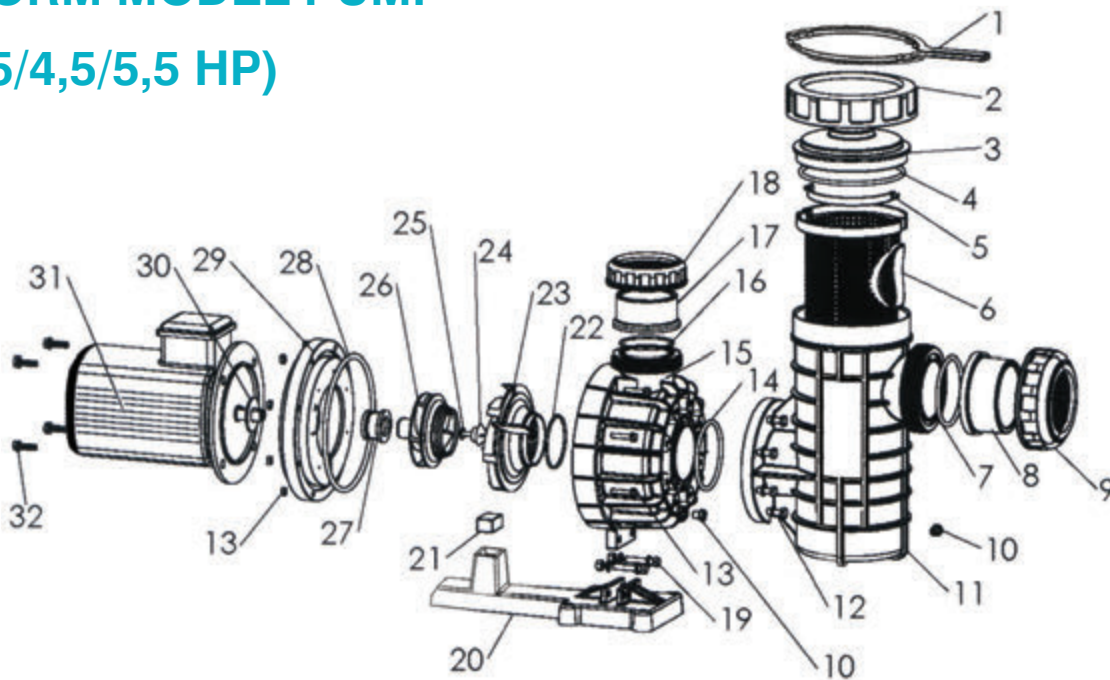
BEST MODEL PUMP (0,75/1,0/1,5/2,0/3,0 HP)



ATLASPOOL PUMPS SPARE PARTS LIST

No	SPARE NAME	0,7-1 HP		1,5 HP		2 HP		3 HP	
		Code	Price (€) /pie	Code	Price (€) /pie	Code	Price (€) /pie	Code	Price (€) /pie
1	PRE-FILTER NUT	ATS YDP001	13,00 €	ATS YDP001	13,00 €	ATS YDP001	13,00 €	ATS YDP001	13,00 €
2	PRE-FILTER COVER	ATS YDP002	19,00 €	ATS YDP002	19,00 €	ATS YDP002	19,00 €	ATS YDP002	19,00 €
3	PRE-FILTER UNDER COVER O-RING	ATS YDP003	4,00 €	ATS YDP003	4,00 €	ATS YDP003	4,00 €	ATS YDP003	4,00 €
4	STRAINER	ATS YDP004	21,50 €	ATS YDP004	21,50 €	ATS YDP004	21,50 €	ATS YDP004	21,50 €
5	PRE-FILTER STOPPER	ATS YDP005	-	ATS YDP005	-	ATS YDP005	-	ATS YDP005	-
6	PRE-FILTER BODY	ATS YDP006	46,00 €	ATS YDP006	46,00 €	ATS YDP006	46,00 €	ATS YDP006	46,00 €
7	PRE-FILTER BOLT	ATS YDP007	0,90 €	ATS YDP007	0,90 €	ATS YDP007	0,90 €	ATS YDP007	0,90 €
8	M8 WASHER	ATS YDP008	0,35 €	ATS YDP008	0,35 €	ATS YDP008	0,35 €	ATS YDP008	0,35 €
9	PRE-FILTER GASKET	ATS YDP009	2,90 €	ATS YDP009	2,90 €	ATS YDP009	2,90 €	ATS YDP009	2,90 €
10	PRE-FILTER SPACER	ATS YDP010	4,00 €	ATS YDP010	4,00 €	ATS YDP010	4,00 €	ATS YDP010	4,00 €
11	1 ½ MALE THREADED COUPLING	ATS YDP011	-	ATS YDP011	-	ATS YDP011	-	ATS YDP011	-
12	COUPLING O-RING	ATS YDP012	-	ATS YDP012	-	ATS YDP012	-	ATS YDP012	-
13	PUMP BODY BULT	ATS YDP013	0,70 €	ATS YDP013	0,70 €	ATS YDP013	0,70 €	ATS YDP013	0,70 €
14	PUMP BODY UNDER BULT	ATS YDP014	1,00 €	ATS YDP014	1,00 €	ATS YDP014	1,00 €	ATS YDP014	1,00 €
15	UNDER BULT NUT	ATS YDP015	0,60 €	ATS YDP015	0,60 €	ATS YDP015	0,60 €	ATS YDP015	0,60 €
16	FRONT BODY	ATS YDP016	72,00 €	ATS YDP016	72,00 €	ATS YDP016	72,00 €	ATS YDP016	72,00 €
17	DIFFUSER GASKET	ATS YDP017	1,25 €	ATS YDP017	1,25 €	ATS YDP017	1,25 €	ATS YDP017	1,25 €
18	DIFFUSER	ATS YDP018	10,15 €	ATS YDP018	10,15 €	ATS YDP018	10,15 €	ATS YDP018	10,15 €
19	LEFT SIDE SCREW	ATS YDP019	3,50 €	ATS YDP019	3,50 €	ATS YDP019	3,50 €	ATS YDP019	3,50 €
20	BODY O RING	ATS YDP020	7,00 €	ATS YDP020	7,00 €	ATS YDP020	7,00 €	ATS YDP020	7,00 €
21	WHEEL	ATS YDP021	23,00 €	ATS YDP021	23,00 €	ATS YDP021	27,50 €	ATS YDP021	27,50 €
22	MECHANICAL CERAMIC PACKING	ATS YDP022	40,00 €	ATS YDP022	40,00 €	ATS YDP022	40,00 €	ATS YDP022	40,00 €
23	BACKSIDE BODY	ATS YDP023	78,00 €	ATS YDP023	78,00 €	ATS YDP023	78,00 €	ATS YDP023	78,00 €
24	CENTRIFUGAL RING	ATS YDP024	0,70 €	ATS YDP024	0,70 €	ATS YDP024	0,70 €	ATS YDP024	0,70 €
25	ELECTRICAL ENGINE								
	0,75 KW monofaze								
	1,1 KW monofaze	ATS YDP025	146,00 €	ATS YDP025	187,00 €	ATS YDP025	208,00 €	ATS YDP025	
	1,5 KW monofaze								
	0,75 KW trifaze 1,1 KW trifaze 1,5 KW trifaze 2,2 KW trifaze	ATS YDP025	156,20 €	ATS YDP025	172,20 €	ATS YDP025	187,20 €	ATS YDP025	210,00 €
26	ENGINE BULT	ATS YDP026	1,10 €	ATS YDP026	1,10 €	ATS YDP026	1,10 €	ATS YDP026	1,10 €
27	FOOTER	ATS YDP027	26,00 €	ATS YDP027	26,00 €	ATS YDP027	26,00 €	ATS YDP027	26,00 €
28	FOOTER TYRE	ATS YDP028	0,70 €	ATS YDP028	0,70 €	ATS YDP028	0,70 €	ATS YDP028	0,70 €

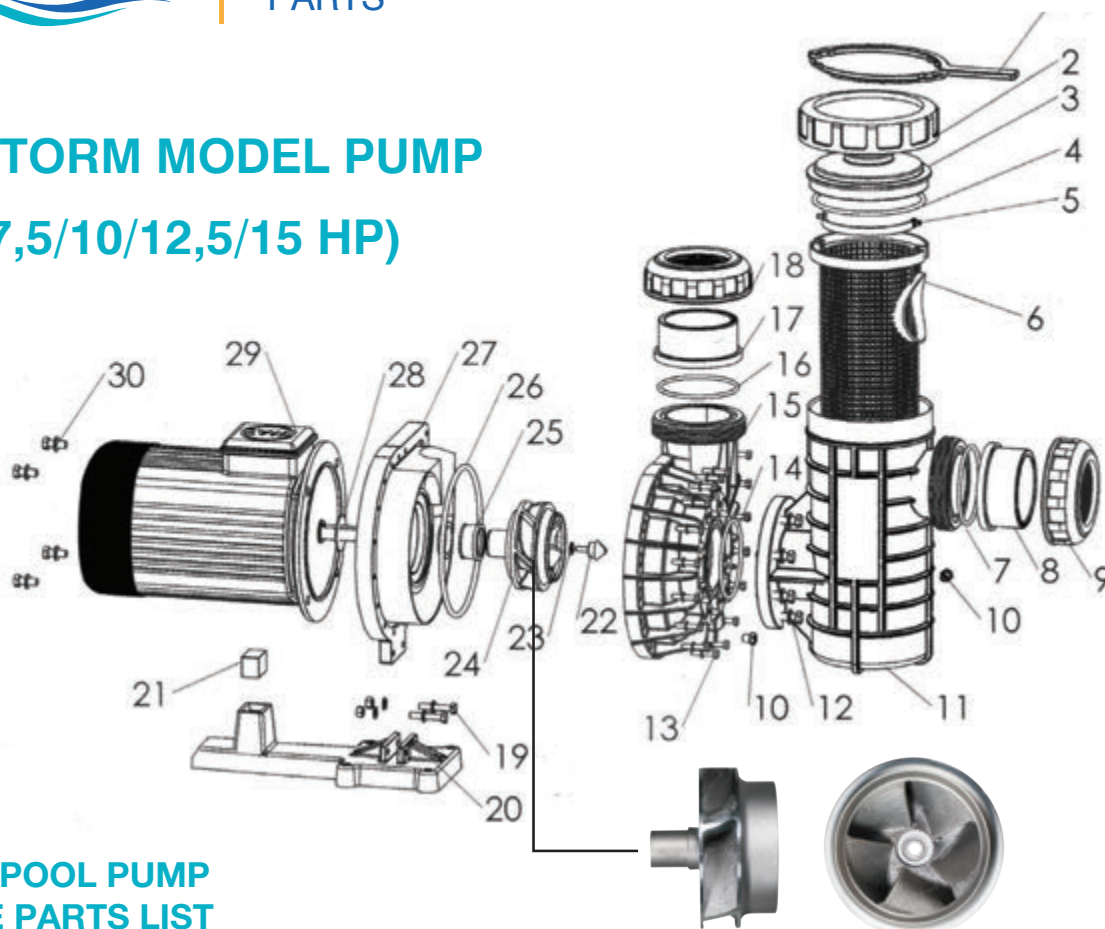
STORM MODEL PUMP (3,5/4,5/5,5 HP)



ATLASPOOL PUMP SPARE PARTS LIST

No	SPARE NAME	3,5 HP		4,5 HP		5,5 HP	
		Code	Price (€) /pie	Code	Price (€) /pie	Code	Price (€) /pie
1	COVER KEY	ATS YDP029	2,50 €	ATS YDP029	2,50 €	ATS YDP029	2,50 €
2	PRE-FILTER NUT	ATS YDP030	12,80 €	ATS YDP030	12,80 €	ATS YDP030	12,80 €
3	PRE-FILTER COVER	ATS YDP031	22,80 €	ATS YDP031	22,80 €	ATS YDP031	22,80 €
4	PRE-FILTER UNDER COVER	ATS YDP032	4,55 €	ATS YDP032	4,55 €	ATS YDP032	4,55 €
5	STRAINER HANDLE	ATS YDP033	2,73 €	ATS YDP033	2,73 €	ATS YDP033	2,73 €
6	STRAINER	ATS YDP034	45,00 €	ATS YDP034	45,00 €	ATS YDP034	45,00 €
7	PIPE CONNECTION O RING	ATS YDP035	3,40 €	ATS YDP035	3,40 €	ATS YDP035	3,40 €
8	PIPE CONNECTION	ATS YDP036	5,60 €	ATS YDP036	5,60 €	ATS YDP036	5,60 €
9	NUT	ATS YDP037	7,30 €	ATS YDP037	7,30 €	ATS YDP037	7,30 €
10	PRE-FILTER STOPPER	ATS YDP038	1,85 €	ATS YDP038	1,85 €	ATS YDP038	1,85 €
11	PRE-FILTER BODY	ATS YDP039	178,40 €	ATS YDP039	178,40 €	ATS YDP039	178,40 €
12	PRE-FILTER BULT	ATS YDP040	2,75 €	ATS YDP040	2,75 €	ATS YDP040	2,75 €
13	BODY BULT	ATS YDP041	2,40 €	ATS YDP041	2,40 €	ATS YDP041	2,40 €
14	FILTER CONNECTION O RING	ATS YDP042	3,40 €	ATS YDP042	3,40 €	ATS YDP042	3,40 €
15	FRONT SIDE BODY	ATS YDP043	127,40 €	ATS YDP043	127,40 €	ATS YDP043	127,40 €
16	PIPE CONNECTION O RING	ATS YDP044	1,40 €	ATS YDP044	1,40 €	ATS YDP044	1,40 €
17	PIPE CONNECTION	ATS YDP045	3,00 €	ATS YDP045	3,00 €	ATS YDP045	3,00 €
18	NUT	ATS YDP046	4,20 €	ATS YDP046	4,20 €	ATS YDP046	4,20 €
19	FOOTER CONNECTION BULT	ATS YDP047	3,65 €	ATS YDP047	3,65 €	ATS YDP047	3,65 €
20	FOOTER	ATS YDP048	31,85 €	ATS YDP048	31,85 €	ATS YDP048	31,85 €
21	FOOTER TYRE	ATS YDP049	4,60 €	ATS YDP049	4,60 €	ATS YDP049	4,60 €
22	DIFFUSER O RING	ATS YDP050	3,65 €	ATS YDP050	3,65 €	ATS YDP050	3,65 €
23	DIFFUSER	ATS YDP051	20,00 €	ATS YDP051	20,00 €	ATS YDP051	20,00 €
24	WHEEL BINDING BULT	ATS YDP052	4,60 €	ATS YDP052	4,60 €	ATS YDP052	4,60 €
25	WHEEL BINDING O RING	ATS YDP053	0,50 €	ATS YDP053	0,50 €	ATS YDP053	0,50 €
26	WHEEL	ATS YDP054	41,90 €	ATS YDP054	41,90 €	ATS YDP054	41,90 €
27	MECHANICAL PACKING	ATS YDP055	100,00 €	ATS YDP055	100,00 €	ATS YDP055	100,00 €
28	BODY O RING	ATS YDP056	7,30 €	ATS YDP056	7,30 €	ATS YDP056	7,30 €
29	BACKSIDE BODY	ATS YDP057	118,50 €	ATS YDP057	118,50 €	ATS YDP057	118,50 €
30	DEFENCE RING	ATS YDP058	1,85 €	ATS YDP058	1,85 €	ATS YDP058	1,85 €
31	ELECTRICAL ENGINE (TRIPHASE)	ATS YDP059	412,00 €	ATS YDP059	412,00 €	ATS YDP059	412,00 €
32	ENGINE CONNECTION BULT	ATS YDP060	1,85 €	ATS YDP060	1,85 €	ATS YDP060	1,85 €

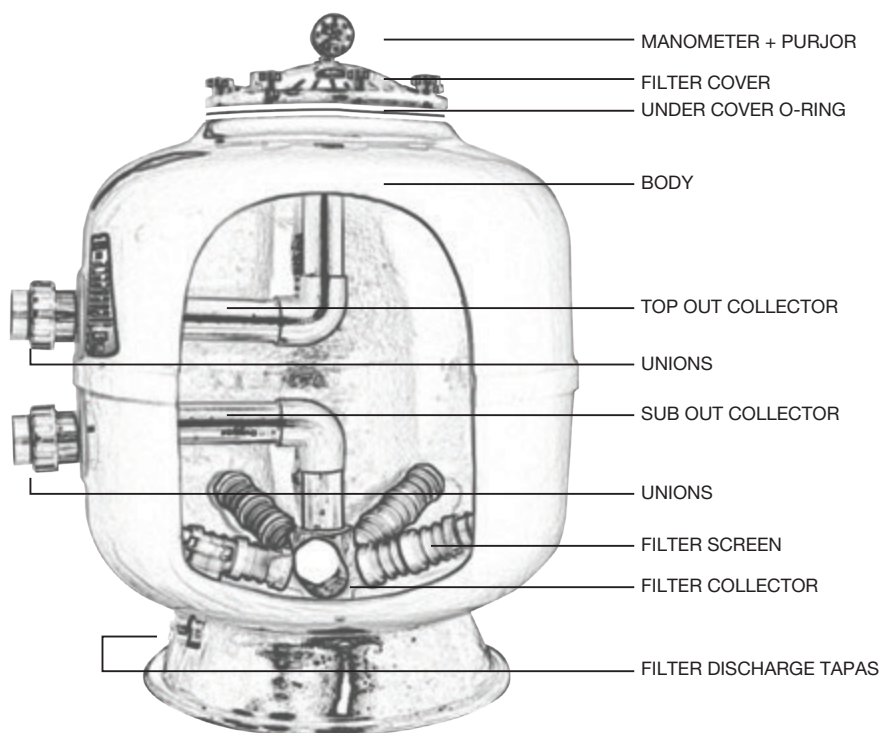
STORM MODEL PUMP (7,5/10/12,5/15 HP)



ATLASPOOL PUMP SPARE PARTS LIST

No	SPARE NAME	7,5 HP		10 HP		12,5 HP		15 HP	
		Code	Price (€) /pie	Code	Price (€) /pie	Code	Price (€) /pie	Code	Price (€) /pie
1	COVER KEY	ATS YDP061	2,50 €	ATS YDP029	2,50 €	ATS YDP091	2,50 €	ATS YDP121	2,50 €
2	PRE-FILTER NUT	ATS YDP062	12,80 €	ATS YDP030	12,80 €	ATS YDP092	12,80 €	ATS YDP122	12,80 €
3	PRE-FILTER COVER	ATS YDP063	22,80 €	ATS YDP031	22,80 €	ATS YDP093	22,80 €	ATS YDP123	22,80 €
4	PRE-FILTER UNDER COVER	ATS YDP064	4,55 €	ATS YDP032	4,55 €	ATS YDP094	4,55 €	ATS YDP124	4,55 €
5	STRAINER HANDLE	ATS YDP065	2,73 €	ATS YDP033	2,73 €	ATS YDP095	2,73 €	ATS YDP125	2,73 €
6	STRAINER	ATS YDP066	45,00 €	ATS YDP034	45,00 €	ATS YDP096	45,00 €	ATS YDP126	45,00 €
7	PIPE CONNECTION O RING	ATS YDP067	3,40 €	ATS YDP035	3,40 €	ATS YDP097	3,40 €	ATS YDP127	3,40 €
8	PIPE CONNECTION	ATS YDP068	5,60 €	ATS YDP036	5,60 €	ATS YDP098	5,60 €	ATS YDP128	5,60 €
9	NUT	ATS YDP069	7,30 €	ATS YDP037	7,30 €	ATS YDP099	7,30 €	ATS YDP129	7,30 €
10	PRE-FILTER STOPPER	ATS YDP070	1,85 €	ATS YDP038	1,85 €	ATS YDP100	1,85 €	ATS YDP130	1,85 €
11	PRE-FILTER BODY	ATS YDP071	178,40 €	ATS YDP039	178,40 €	ATS YDP101	178,40 €	ATS YDP131	178,40 €
12	PRE-FILTER BULT	ATS YDP072	2,75 €	ATS YDP040	2,75 €	ATS YDP102	2,75 €	ATS YDP132	2,75 €
13	BODY BULT	ATS YDP073	2,40 €	ATS YDP041	2,40 €	ATS YDP103	2,40 €	ATS YDP133	2,40 €
14	FILTER CONNECTION O RING	ATS YDP074	3,40 €	ATS YDP042	3,40 €	ATS YDP104	3,40 €	ATS YDP134	3,40 €
15	FRONT SIDE BODY	ATS YDP075	178,50 €	ATS YDP043	178,50 €	ATS YDP105	178,50 €	ATS YDP135	178,50 €
16	PIPE CONNECTION O RING	ATS YDP076	3,40 €	ATS YDP044	3,40 €	ATS YDP106	3,40 €	ATS YDP136	3,40 €
17	PIPE CONNECTION	ATS YDP077	5,60 €	ATS YDP045	5,60 €	ATS YDP107	5,60 €	ATS YDP137	5,60 €
18	NUT	ATS YDP078	7,30 €	ATS YDP046	7,30 €	ATS YDP108	7,30 €	ATS YDP138	7,30 €
19	FOOTER CONNECTION BULT	ATS YDP079	3,65 €	ATS YDP047	3,65 €	ATS YDP109	3,65 €	ATS YDP139	3,65 €
20	FOOTER	ATS YDP080	31,85 €	ATS YDP048	31,85 €	ATS YDP110	31,85 €	ATS YDP140	31,85 €
21	FOOTER TYRE	ATS YDP081	4,60 €	ATS YDP049	4,65 €	ATS YDP111	4,60 €	ATS YDP141	4,65 €
22	WHEEL BINDING BULT	ATS YDP082	4,60 €	ATS YDP050	4,60 €	ATS YDP112	4,60 €	ATS YDP142	4,60 €
23	WHEEL BINDING O RING	ATS YDP083	0,50 €	ATS YDP051	0,50 €	ATS YDP113	0,50 €	ATS YDP143	0,50 €
24	WHEEL	ATS YDP084	115,00 €	ATS YDP052	115,00 €	ATS YDP114	115,00 €	ATS YDP144	115,00 €
25	MECHTRICAL PACKING	ATS YDP085	133,00 €	ATS YDP053	133,00 €	ATS YDP115	133,00 €	ATS YDP145	133,00 €
26	:BODY O RING	ATS YDP086	7,30 €	ATS YDP054	7,30 €	ATS YDP116	7,30 €	ATS YDP146	7,30 €
27	BACKSIDE BODY	ATS YDP087	133,00 €	ATS YDP055	133,00 €	ATS YDP117	133,00 €	ATS YDP147	133,00 €
28	DEFENCE RING	ATS YDP088	2,20 €	ATS YDP056	2,20 €	ATS YDP118	2,20 €	ATS YDP148	2,20 €
29	ELECTRICAL ENGINE (TRIPHASE)	ATS YDP089	755,00 €	ATS YDP057	971,00 €	ATS YDP119	1.300,00 €	ATS YDP149	3.100,00 €
30	ENGINE CONNECTION BULT	ATS YDP090	2,00 €	ATS YDP058	2,00 €	ATS YDP120	2,00 €	ATS YDP150	2,00 €
31	DIFFUSER		75,00 €		75,00 €		75,00 €		75,00 €

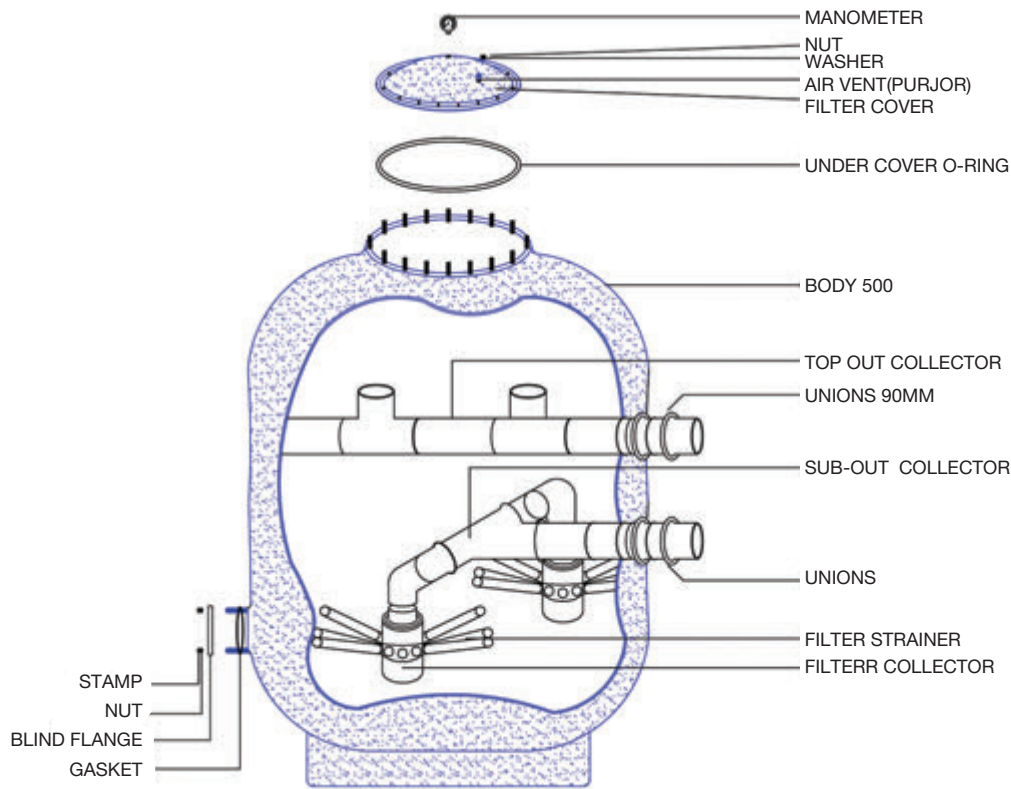
CANADA MODEL FILTER (500/620/760/920/1050 mm)



Atlaspool Filters Spare Parts List

No	Piece Name	500-620 mm		760-920 mm		1050 mm	
		Code	Price (€) /pie	Code	Price (€) /pie	Code	Price (€) /pie
1	MANOM.+PURJOR	ATS YDP091	20,00 €	ATS YDP091	20,00 €	ATS YDP091	14,00 €
2						ATS YDP092	2,00 €
3						ATS YDP093	0,30 €
4						ATS YDP094	3,00 €
5	FILTER COVER	ATS YDP095	22,00 €	ATS YDP095	22,00 €	ATS YDP095	22,00 €
6	UNDER COVER O-RING	ATS YDP096	9,00 €	ATS YDP096	9,00 €	ATS YDP096	9,00 €
7	BODY 500	ATS YDP097	157,00 €	-	-	-	-
8	BODY 620	ATS YDP097	188,00 €	-	-	-	-
9	BODY 760	-	-	ATS YDP097	282,00 €	-	-
10	BODY 920	-	-	ATS YDP097	367,00 €	-	-
11	BODY 1050	-	-	-	-	ATS YDP097	503,00 €
12	TOP OUT COLLECTOR	ATS YDP098	20,00 €	ATS YDP098	20,00 €	ATS YDP098	20,00 €
13	UNIONS 50 mm	ATS YDP099	9,00 €	-	-	-	-
14	UNIONS 63 mm	-	-	ATS YDP099	12,00 €	-	-
15	UNIONS 75 mm	-	-	ATS YDP099	-	ATS YDP099	25,00 €
16	SUB-OUT COLLECTOR	ATS YDP100	20,00 €	ATS YDP100	20,00 €	ATS YDP100	20,00 €
17	FILTER SCREEN	ATS YDP101	2,00 €	ATS YDP101	2,00 €	ATS YDP101	2,00 €
18	FILTER SCREEN	ATS YDP102	28,00 €	ATS YDP102	28,00 €	ATS YDP102	28,00 €
19	FILTER DISCHARGE TAPAS	ATS YDP103	3,80 €	ATS YDP103	3,80 €	ATS YDP103	3,80 €

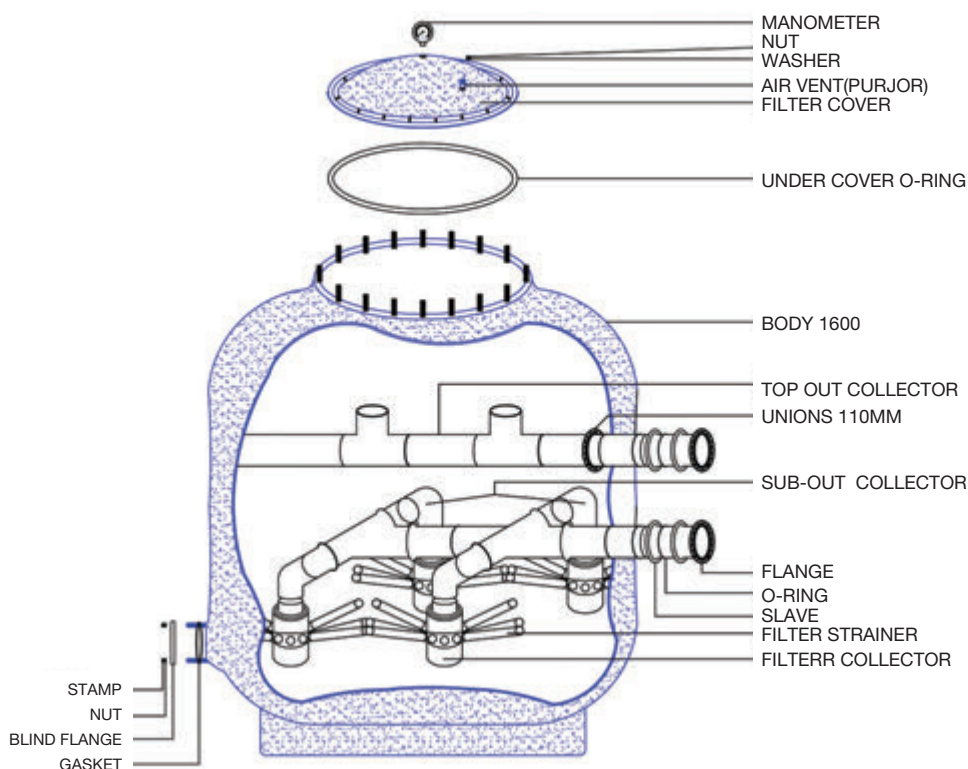
CANADA MODEL FILTER (1250/1400 mm)



Atlaspool Filters Spare Parts List

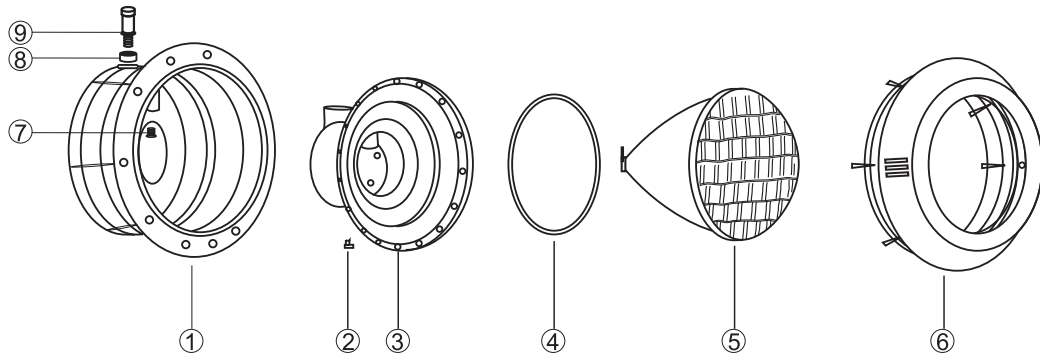
No	Piece Name	1250 mm		1400 mm	
		Code	Price (€) /pie	Code	Price (€) /pie
1	MANOMETER	ATS YDP104	18,00 €	ATS YDP104	18,00 €
2	NUT	ATS YDP105	2,00 €	ATS YDP105	2,00 €
3	WASHER	ATS YDP106	0,50 €	ATS YDP106	0,50 €
4	AIR VENT(PURJOR)	ATS YDP107	3,00 €	ATS YDP107	3,00 €
5	FILTER COVER	ATS YDP108	136,00 €	ATS YDP108	136,00 €
6	UNDER COVER O-RING	ATS YDP109	16,00 €	ATS YDP109	16,00 €
7	BODY 500	ATS YDP110	865,00 €	-	-
8	BODY 1400	-	-	ATS YDP110	1,010,00 €
9	TOP OUT COLLECTOR	ATS YDP111	-	ATS YDP111	-
10	UNIONS 90MM	ATS YDP112	29,00 €	ATS YDP112	29,00 €
11	SUB-OUT COLLECTOR	ATS YDP113	-	ATS YDP113	-
12	FILTER STRAINER	ATS YDP114	2,00 €	ATS YDP114	2,00 €
13	FILTERR COLLECTOR	ATS YDP115	76,00 €	ATS YDP115	76,00 €
14	FILTER DISCHARGE TAPAS	ATS YDP116	20,00 €	ATS YDP116	20,00 €

CANADA MODEL FILTER (1600/2000 mm)



Atlaspool Filters Spare Parts List

No	Piece Name	1600 mm		2000 mm	
		Code	Price (€) /pie	Code	Price (€) /pie
1	MANOMETER	ATS YDP117	18,00 €	ATS YDP117	18,00 €
2	NUT	ATS YDP118	2,00 €	ATS YDP118	2,00 €
3	WASHER	ATS YDP119	0,50 €	ATS YDP119	0,50 €
4	AIR VENT(PURJOR)	ATS YDP120	3,00 €	ATS YDP120	3,00 €
5	FILTER COVER	ATS YDP121	136,00 €	ATS YDP121	136,00 €
6	UNDER COVER O-RING	ATS YDP122	16,00 €	ATS YDP122	16,00 €
7	BODY 1600	ATS YDP123	1,144,00 €	-	-
8	BODY 2000	-	-	ATS YDP123	2,200,00 €
9	TOP OUT COLLECTOR	ATS YDP124	-	ATS YDP124	-
10	UNIONS 110MM	ATS YDP125	29,00 €	ATS YDP125	29,00 €
11	SUB-OUT COLLECTOR	ATS YDP126	-	ATS YDP126	-
12	FILTER STRAINER	ATS YDP127	2,00 €	ATS YDP127	2,00 €
13	FILTERR COLLECTOR	ATS YDP128	76,00 €	ATS YDP128	76,00 €
14	SAND DISCHARGE COVER	ATS YDP129	20,00 €	ATS YDP129	20,00 €



Atlaspool Underwater Light Armature Spare Parts List

Description	Code	Part No	Price / Pcs
LIGHT FRAME	ATS YDP130	1	8,00 €
LIGHT THREADED	ATS YDP131	2	0,35 €
LIGHT INSIDE OF FRAME	ATS YDP132	3	7,00 €
LIGHT BODY O RING	ATS YDP133	4	2,20 €
BULB - ECONOMICAL	ATS YDP134	5	16,00 €
LIGHT RING , LAMP BULT AND NUT LAMB FRONT SIDE FRAME	ATS YDP135	6	10,00 €
INNER LIGHT COUPLING	ATS YDP136	7	1,00 €
LIGHT GASKET	ATS YDP137	8	0,50 €
LIGHT OUTSIDE COUPLING	ATS YDP138	9	1,20 €



A photograph showing several hands raised in a gesture of approval or agreement, with thumbs pointing up. The hands are of various skin tones and are set against a bright blue background. The focus is on the hands in the foreground, with some hands in the background being slightly blurred. A red banner is overlaid on the left side of the image, containing the website address.

www.atlasgruphavuz.com



Atlaspool

BELGELERİMİZ
certificates





T.C.
TÜRK PATENT ve MARKA KURUMU

MARKA TESCİL BELGESİ

Marka No : 2015 66848 - Ticaret - Hizmet

Atlaspool

Marka Sahibi : ATLAS GRUP HAVUZ ARITMA İNŞAAT TAAHHÜT İTHALAT İHRACAT
PAZARLAMA SANAYİ VE TİCARET LİMİTED ŞİRKETİ
TÜRKİYE CUMHURİYETİ (Ümraniye)
Tavukçu Yolu Cad.No:160 Y.Dudullu Ümraniye İstanbul

Emtiası : 01 , 06 , 07 , 11 , 19 , 37 , 35
İlişiktir.



İşbu Marka 13/08/2015 tarihinden itibaren ON YIL süreyle
11/04/2017 tarihinde tescil edilmiştir.

Prof. Dr. Habip ASAN
Türk Patent ve Marka
Kurumu Başkanı

**TÜRK
PATENT**
TÜRK PATENT VE MARKA KURUMU



TRB
INTERNATIONAL

SERTİFİKA

ATLAS GRUP HAVUZ ARITMA İNŞAAT TAAHHÜT İTHALAT İHRACAT PAZARLAMA SAN. VE TİC. LTD. ŞTİ.

TAVUKÇU YOLU CD. NO:160 ÜMRANIYE İSTANBUL

ISO 14001:2004

YÜZME HAVUZU EKİPMANLARI SATIŞI VE PAZARLAMASI

Bu belge, akreditasyon kuralları gereği; her yıl periyod tarihlerinden önce gözetim denetimlerinin gerçekleştirilmesi şartı ile 3 yıl geçerlidir. Bu belge ile sertifika sahibinin yukarıda belirtilen adreste lisans sözleşmesi koşullarına ve gerekliliklerine uygun olarak TRB Belgelendirme Kuruluşu tarafından değerlendirildiği ve ilgili şirketin uyguladığı yukarıda adı geçen yönetim sistemi şartlarının sağlandığı tescil edilmiştir. Ayrıca bu sertifika kuruluşun TRB Belgelendirmenin kurallarına uyduğu ve www.trb.com.de sertifika sorgulama kısmında aktif görüldüğü süreçte geçerlidir.

Sertifika No : DE-EC-588
Tescil Tarihi : 03.03.2019
Geçerlilik Tarihi : 04.03.2020
Sertifika Dönemi : 3 Yıl / (1. Yıl)

Özgenel

Genel Müdür



Deutsche
Akkreditierungsstelle
D-ZM-19486-01-00



CE DECLARATION OF CONFORMITY

Description of Products : XHC, XVM, WTO, WTX, WPOOL, WSELF

Related Directive : 2006/42/EC ANNEX I

Applicable Standards : EN12100 : 2010, EN60204-1 :2006, EN809 :1998+A1 : 2009/AC : 2010

We, WT Water Technologies declare that our pumps are constructed, manufactured, and assembled in accordance with the above mentioned standards, and comply with the above mentioned directives, and assume full responsibility for conformity with the standards laid down therein.

We also herewith declare that the above mentioned pumps comply with the appropriate basic safety and health requirements of the EC directive based on their design and type, as brought into circulation by us in case of alteration of the equipment.

Your faithfully,

WT WATER TECHNOLOGIES

Technical Department

BİYOSİDAL ÜRÜN RUHSATNAMESİ

(İMALAT)

Ruhsat No	2011/ 749	Ruhsat Tarihi	13.12.2011
Ürünün Ticari Adı/Tipi	A Water Atlaspool Poolchlor %56 Granül Klor / 2		
Aktif Madde/ler İsimleri	Troclosene sodium		
Aktif Madde/ler CAS Numaraları	2893-78-9		
Aktif Madde/ler ve Oranları	Troclosene sodium %87 (aktif klor %56)		
Hedef canlı/canlılar	<i>Staphylococcus aureus, Pseudomonas aeruginosa, Escherichia coli, Legionella pneumophila, Enterococcus faecium</i>		
Fiziki Hali (Toz, Briket, Granül vb.)	Granül		
Uygulama dozu	Açık havuzlarda 1-3 ppm serbest klor düzeyi oluşacak şekilde 100 m ³ suya 200-600 g ürün uygulanır.		
Ambalaj miktarı/ları	5 kg, 10 kg, 25 kg, 50 kg		
Antidodu	Spesifik bir antidodu yok.		
Zararlılık ve Önlem İfadeleri	H302, H319, H335, H400, H410, EUH031; P261, P264, P270, P271, P273, P280, P312, P301+P312, P304+P340, P305+P351+P338, P391, P501		
Raf ömrü	2 (iki) Yıl		
Ruhsat Sahibinin Adı ve Adresi	Atlas Grup Havuz Arıtma İnş. Taah. İth.İhr.Paz. San. ve Tic.Ltd.Şti. Tavukçuyolu Cad. No: 160 Y. Dudullu Ümraniye/İSTANBUL		
Fabrika veya İmalathanenin Adresi	Gündem Kimyasal Ürün. Paz. Havuzculuk Tur. İnş. Tic. Ltd. Şti. Altıyak Mah. 8437 Sok. No:5/8 Kepez/ANTALYA		
Ruhsatın Geçerli Olduğu Süre	31.12.2021		
Veriliş Tarihi ve Sebebi	23.02.2017 Yenileme		

31.12.2009 tarihli ve 27449 sayılı 4. mükerrer Resmî Gazete'de yayımlanan Biyosidal Ürünler Yönetmeliğinin 14 üncü maddesi uyarınca yukarıda adı geçen biyosidal ürünün imaline ve kullanılmasına müsaade edilmiştir.


Dr. Hüseyin İLTER
Kurum Başkanı a.
Daire Başkanı

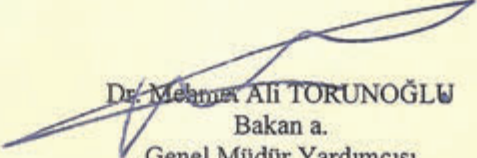


T.C.
SAĞLIK BAKANLIĞI
Temel Sağlık Hizmetleri Genel Müdürlüğü

BİLDİRİM KAYIT BELGESİ

Bildirim No:	HK/012	Bildirim Tarihi	17.03.2011
İthalatçı veya Üretici Adı:	Atlas Grup Havuz Arıtma İnşaat Taah. İth. İhr. Paz. San. ve Tic. Ltd. Şti.		
İthalatçı veya Üretici Adresi:	Tavukçuyolu Cad. No:160 Y.Dudullu-Ümraniye/İSTANBUL		
Üretim Yeri Adı ve Adresi:	Gündem Kimyasal Ürünleri Paz. Havuzculuk Trz.Tic.Ltd.Şti. Akdeniz San. Sit. 5005 Sk. No:48 ANTALYA		
Vergi Dairesi:	Sargazi		
Vergi No:	1020408922		
Kullanım Amacı:	Havuz Suyunda Kullanılan Yardımcı Kimyasal Madde		
Marka Adı:	A WATER ATLASPOOL HAVUZ EKİPMANLARI		
Ürün Çeşitleri:	1-ATLASFLOX PARTİKÜL ÇÖKTÜRÜCÜ 2- POOL SHOCK HIZLI PARLATICI 3-SIVI PH DÜŞÜRÜCÜ 4-TOZ PH DÜŞÜRÜCÜ		

04.08.2010 tarihli ve 27662 sayılı Resmi Gazetede yayımlanarak yürürlüğe giren Havuz Suyunda Kullanılan Yardımcı Kimyasal Maddelerin Üretimine, İthalatına ve Bildirim Esaslarına Dair Tebliğ gereği yukarıda adı geçen ürünün/ürünlerin bildirim kaydı kabul edilmiştir.


Dr. Mehmet Ali TORUNOĞLU
Bakan a.
Genel Müdür Yardımcısı

NOT: Bildirim kaydı yeni ürün eklenmesi nedeniyle
20.07.2011 tarih ve HK/012 sayı ile yeniden düzenlenmiştir.



EN 60204-1 KONTROL RAPORU
(Makinalarda güvenlik - Makinaların elektrik teçhizatı - Bölüm 1: Genel kurallar)
EN 60204-1 CONTROL REPORT
(Safety of machinery - Electrical equipment of machines - Part 1: General requirements)

Proje No / Project No **M-LVD-290/12** Tarih / Date **26.01.2012**

Müşteri /Customer : **ATLAS GRUP HAVUZ ARITMA İNŞ.TAAH.İTH.İHR.PAZ.SAN.VETİC.LTD.ŞTİ**

Müşteri Adresi /Customer Adress : **TAVUKÇUYOLU CAD.NO :160 ÜMRANİYE-İSTANBUL**

Üretici / Manufacturer : **ATLAS GRUP HAVUZ ARITMA İNŞ.TAAH.İTH.İHR.PAZ.SAN.VETİC.LTD.ŞTİ**

İnceleme Yeri / Place of Inspection : **TAVUKÇUYOLU CAD.NO :160 ÜMRANİYE-İSTANBUL**

İnspector : **TOLGA DADA**

İnceleme Konusu / Subject of Inspection Marka/Trade Mark Tip /Type Seri No /Serial

TERMOPLASTİK HAVUZ POMPASI

ATLASPOOL

Referans Dokümanlar / Document of Reference (İlave dokümanlar ekte yer alıyormu ? / See continuation sheet for additional document ?) Yes No

Doküman Adı / Document Name	Numarası /No	Rev No	Onaylayan / Approved by	Tarih /Date
Kullanma Kılavuzu				
Teknik Dosya				

MUAYENE / INSPECTION

MUAYENE SONUCU / INSPECTION RESULT

İnceleme Periyodu/Inspection Period

Periyodik Muayene /Periodical Inspection

Son Muayene / Final Inspection

Önemli Muayene / Important Inspection

Muayene Türü / Kind of Inspection

Ön Muayene / Pre- Inspection

Tanık Muayenesi / Witnessing Test

Son Muayene / Final Inspection

Doküman Gözden Geçirme / Document Review

Satıcı Değerlendirme / Expending & Vendor Assesment

Uygun / Satisfactory

Uygun Değil / Unsatisfactory

Uygunsuzluk Raporları / Non Conformities Report (U)

• Uygunsuzluk Hazırlama Tarihi / Non Conformities Issued Date

• Uygunsuzluk Listesi / Nonconformities List

Sonuç / Result (Ekteki sonuçlar için / for detail see continuation sheet)

Birsonraki Muayene Tarihi / Next Visit Scheduled

KULLANILAN CİHAZLAR

Cihaz Adı	Cihaz Kodu	Kalibrasyon Tarihi	Gelecek Kalibrasyon Tarihi
CE MULTITESTER	0-13	13.12.2011	13.12.2012

İKLİM ŞARTLARI

SICAKLIK	ORTAM	ULAŞIM	UYGUN
	UYGUN	DİĞER.....	

Muayene Kriterleri / Inspection Criteria



CE-FR.108 RV:02 Rev. Tar. : 06.12.2009

Bu Muayene Raporu ALBERK QA TECHNIC'in yazılı izni olmadan çoğaltılamaz. İmzasız ve mühürsüz raporlar geçersizdir. / This inspection report may not be reproduced order than in full except with the permission of ALBERK QA TECHNIC. Inspection report without signature and seal are no valid.



EN 60204-1 KONTROL RAPORU
(Makinalarda güvenlik - Makinaların elektrik teçhizatı - Bölüm 1: Genel kurallar)
EN 60204-1 CONTROL REPORT
(Safety of machinery - Electrical equipment of machines - Part 1: General requirements)

Proje No / Project No : M-LVD-328/12 Tarih / Date : 26.01.2012
Müşteri /Customer : ATLAS GRUP HAVUZ ARITMA İNŞ.TAAH.İTH.İHR.PAZ.SAN.VETİC.LTD.ŞTİ
Müşteri Adresi /Customer Adress : TAVUKÇUYOLU CAD.NO :160 ÜMRANİYE-İSTANBUL
Üretici / Manufacturer : ATLAS GRUP HAVUZ ARITMA İNŞ.TAAH.İTH.İHR.PAZ.SAN.VETİC.LTD.ŞTİ
İnceleme Yeri / Place of Inspection : TAVUKÇUYOLU CAD.NO :160 ÜMRANİYE-İSTANBUL

Inspector : TOLGA DADA
İnceleme Konusu / Subject of Inspection : TERMOPLASTİK HAVUZ POMPASI
Marka/Trade Mark : ATLASPOOL
Tip /Type :
Seri No /Serial :
Referans Dokümanlar / Document of Referance (ilave dokümanlar ekte yer alıyormu ? / See continuation sheet for additional document ?) Yes No

Doküman Adı/ Document Name	Numarası /No	Rev No	Onaylayan / Approved by	Tarih /Date
Kullanma Kılavuzu				
Teknik Dosya				

MUAYENE / INSPECTION	MUAYENE SONUCU / INSPECTION RESULT
<p>İnceleme Periyodu/Inspection Period</p> <p><input type="checkbox"/> Periyodik Muayene /Periodical Inspection</p> <p><input checked="" type="checkbox"/> Son Muayene / Final Inspection</p> <p><input type="checkbox"/> Önemli Muayene / Important Inspection</p> <p>Muayene Türü / Kind of Inspection</p> <p><input type="checkbox"/> Ön Muayene / Pre- Inspection</p> <p><input type="checkbox"/> Tanık Muayenesi / Witnessing Test</p> <p><input checked="" type="checkbox"/> Son Muayene / Final Inspection</p> <p><input type="checkbox"/> Doküman Gözden Geçirme / Document Review</p> <p><input type="checkbox"/> Satıcı Değerlendirme / Expending & Vendor Assesment</p>	<p><input checked="" type="checkbox"/> Uygun / Satisfactory</p> <p><input type="checkbox"/> Uygun Değil / Unsatisfactory</p> <p>Uygunsuzluk Raporları / Non Conformities Report (U)</p> <ul style="list-style-type: none">Uygunsuzluk Hazırlama Tarihi / Non Conformities Issued DateUygunsuzluk Listesi / Nonconformities List <p>Sonuç / Result (Ekteki sonuçlar için / for detail see continuation sheet)</p> <p>Birsonraki Muayene Tarihi / Next Visit Scheduled</p>

KULLANILAN CİHAZLAR			
Cihaz Adı	Cihaz Kodu	Kalibrasyon Tarihi	Gelecek Kalibrasyon Tarihi
CE MULTITESTER	0-13	13.12.2011	13.12.2012

İKLİM ŞARTLARI			
SICAKLIK	ORTAM	ULAŞIM	UYGUN
	UYGUN	DIĞER.....	

Muayene Kriterleri / Inspection Criteria		U	UD





ENDÜSTRİYEL TASARIM SİCİLİ

BAŞVURU BİLGİLERİ

Başvuru Numarası	: 2013/00620	Başvuru Tarihi	: 28/01/2013
Tescil Numarası	: 2013 00620	Tescil Tarihi	: 28/01/2013
Başvuru Çeşidi	: Çoklu	Tasarım Sayısı	: 2
Bülten Numarası	: 203	Bülten Tarihi	: 01/03/2013

BAŞVURU SAHİBİ

Ad Soyad / Unvan : ATLAS GRUP HAVUZ ARITMA İNŞAAT TAAHHÜT İTH.İHR.PAZ.SAN.VE TİC.LTD.ŞTİ.
Tabiyeti : TÜRKİYE CUMHURİYETİ
Adres : Tavukçu Yolu Cad.No:160 Y.Dudullu-Ümraniye İSTANBUL TÜRKİYE

TASARIMLAR

Ürün Adı - Tasarım Sıra Numarası	Durumu	Tsr. Sys.	Lokarno Sınıf
Sirkülasyon Pompası - 1,2	Tescilli	2	15-02

TASARIMCI

MUSTAFA KÖKLÜ - 1, 2
Tavukçu Yolu Cad.No:160 Y.Dudullu-Ümraniye/İSTANBUL TÜRKİYE

VEKİL

İLKAY YASEMİN ÖZLÜK (DESTEK PATENT A.Ş.)
PÖLARİS PLAZA AHİ EVRAN CAD. NO:1 KAT:17 D:70 MASLAK/İSTANBUL



EC DECLARATION OF CONFORMITY

Low Voltage Directive 2006/95/EC

We hereby declare, Manufacturer, Distributor / EU Representative :

ATLAS GRUP HAVUZ ARITMA İNŞ.TAAH.İTH.İHR.PAZARLAMA SAN. Ve TİC.LTD.ŞTİ.
TAVUKCU YOLU CAD. NO:160 ÜMRANİYE / İSTANBUL/TURKEY
NVA KALİTE TEST OLCUM HİZMETLERİ EĞİTİM VE BELGELENDİRME TİC.LTD.ŞTİ
GUZELYURT MAH.7.CAD. DELTA PLAZA A1 BLOK KAT:6 DAİRE:14
ESEN YURT/İSTANBUL/TURKEY

that the following described product in our delivered version complies with appropriate basic safety and health requirements of Low Voltage Directive 2006/95/EC based , on its design and type, as brought into circulation by us. In Case of alteration of the product, not agreed upon by us, this declaration will lose its validity.

Description Of The Product/Product Part	: Pool Filter
Product Commercial Brand	: ATLASPOOL
Applicable EC Directives	: Low Voltage Directive 2006/95/EC
Applicable Harmonised Standards	: EN 13460
Applicable National Technical Standards and Specifications	
Classifications	: CLASS-I
Certificate Number	: 18041187889
Certificate Code	: ATLAS
Certificate Issue Date	: 11.03.2019
Certificate Validity Date	: 11.03.2020
EU Representative (Authorized Signature and Title)	



System effectively and timely surveillance audits this document is valid as long as the 1-years. NVA control the conduct of standards. Although due care and competence, including gross negligence will not accept responsibility. This document or proprietary rights owned by NVA and must be returned upon request.

www.nvakalite.com info@nvakalite.com





EC DECLARATION OF CONFORMITY

Low Voltage Directive 2006/95 / EC

We hereby declare, **Manufacturer, Distributor / EU Representative :**

ATLAS GRUP HAVUZ ARITMA İNŞ.TAAH.İTH.İHR.PAZARLAMA SAN. VE TİC.LTD.ŞTİ.
TAVUKCU YOLU CAD. NO:160 ÜMRANIYE / İSTANBUL / TURKEY

that the following described product in our delivered version complies with appropriate basic safety and health requirements of *Low Voltage Directive 2006/95/EC* based , on its design and type, as brought into circulation by us. In Case of alteration of the product, not agreed upon by us, this declaration will lose its validity.

Product / Product Part Description	: LED LAMP
Product Model Codes	: ATS HIA012 : Ledli sıva üstü lamba – Beyaz ATS HIA013
: Ledli sıva üstü lamba - Günışığı	ATS HIA014 : Ledli sıva üstü lamba – Mavi, ATS HIA015 : Ledli sıva üstü lamba
– RGB 4 kablolu	ATS HIA051 : Ledli sıva üstü lamba – RGB 2 kablolu, ATS HIA001 : Kovanlı Lamba
ATS HIA002 : Kovansız Lamba,ATS HIA003 : Lamba Kovanı,ATS HIA005 : Kovanlı Lamba (Liner)	
ATS HIA006 : Ledli Kovanlı Lamba – Beyaz,ATS HIA007 : Ledli Kovanlı Lamba - Günışığı 1	
ATS HIA008 : Ledli Kovanlı Lamba – Mavi,ATS HIA009 : Ledli Kovanlı Lamba - RGB 2 Kablolu	
ATS HIA010 : Ledli Kovanlı Lamba - RGB 4 Kablolu,ATS HIA006	
: Liner Ledli Kovanlı Lamba – Beyaz,ATS HIA009 : L Liner Ledli Kovanlı Lamba - RGB 2 Kablolu	
ATS HIA021 : Beyaz Led Ampul - 84 Ledli,ATS HIA022 : Günışığı Led Ampul - 84 Ledli	
ATS HIA023 : Mavi Led Ampul - 270 Ledli,ATS HIA024 : RGB 2 Kablolu Led Ampul - 160 Ledli	
ATS HIA025 : RGB 4 Kablolu Led Ampul - 150 Ledli,ATS SUS035 : Plastik 3W/12V AC Tek Renkli Lamba -	
3 Power Ledli / Ø 63 Boruya,ATS SUS037 : 3W/12V DC Full RGB Lamba - 3 Power Ledli / Ø 63 Boruya	
ATS SUS096 : Plastik 3W/12V AC Tek Renkli Lamba - 3 Power Ledli / Ayaklı,ATS SUS097 : Plastik 3W/12V DC Full	
RGB Lamba - 3 Power Ledli / Ayaklı	
Product Trademark	: ATLASPOOL
Applicable EC Directive	: Low Voltage Directive 2006/95 / EC
Applicable Harmonized Standards	: TS EN 60838-2-2
Report No and Test Report Date	: IP68:15-244IAU(08.10.2015)
Applicable National Technical Standards and Specifications Classifications	: Class-I
Certificate number	: 18041187884
Certificate Code	: ATLAS GROUP
Certificate Date of Preparation	: 11.03.2019
Certificate Effective Date	: 11.03.2020
EU Representative (Authorized Signature and Title)	



As the system is maintained effectively and surveillance audits are timely
This document is valid for 1 year as long as it is done. NVA auditing conducted
Despite the necessary care and competence, including in proven major negligence
It will not accept responsibility. Ownership of this document belongs to NVA and
It should be returned when requested.

www.nvakalite.com info@nvakalite.com





EC DECLARATION OF CONFORMITY Low Voltage Directive 2006/95/EC

We hereby declare, Manufacturer, Distributor /EU Representative :

ATLAS GRUP HAVUZ ARITMA İNŞ.TAAH.İTH.İHR.PAZARLAMA SAN. Ve TİC.LTD.ŞTİ.
TAVUKCU YOLU CAD. NO:160 ÜMRANIYE / İSTANBUL/TURKEY

that the following described product in our delivered version complies with appropriate basic safety and health requirements of *Low Voltage Directive 2006/95/EC* based , on its design and type, as brought into circulation by us. In Case of alteration of the product, not agreed upon by us, this declaration will lose its validity.

Description Of The Product/Product Part	: Pool Pump
Product Commercial Brand	: ATLASPOOL
Applicable EC Directives	: Low Voltage Directive 2006/95/EC
Applicable Harmonised Standards	: EN 809+A1
Applicable National Technical Standards and Specifications	
Classifications	: CLASS-I
Certificate Number	: 18041187883
Certificate Code	: ATLAS GRUP
Certificate Issue Date	: 11.03.2019
Certificate Validity Date	: 11.03.2020
EU Representative (Authorized Signature and Title)	



System effectively and timely surveillance audits this document is valid as long as the 1-years. NVA control the conduct of standards. Although due care and competence, including gross negligence will not accept responsibility. This document or proprietary rights owned by NVA and must be returned upon request.

www.nvakalite.com info@nvakalite.com





Certificate

ISO 14001 : 2015

ATLAS GRUP HAVUZ ARITMA İNŞAAT TAAHHÜT İTHALAT İHRACAT PAZARLAMA SANAYİ VE TİCARET LTD. ŞTİ.

Tavukçuyolu Cad. No:160 Ümraniye İstanbul/ TURKEY

This certificate shows that the environmental management system of the above company was approved by PCA Certification for the following scope, the validity of the certificate depends on the company's pass the annual surveillance audits and company's maintenance the related management system conditions according to international accreditation criteria.

SCOPE

Building of swimming pool and fountain pool, waste water treatment, manufacturing and sale of plastic poms, globe valve, sleeve and filter equipments for fluid transfer lines designing, manufacturing and selling

Certificate No	: CY-32303
Registration Date	: 30.04.2018
Reissue Date	:
Expiry Date	: 29.04.2019
Certificate Period	: 3 Years (From the date of registration)



ACCREDITED

Management
Systems
Certification Body
MSCB-103



PCA Certification Approval

PCA Sertifikasyon Hizmetleri Limited Şirketi
Atalar Mah. Çanakkale Caddesi No:79 D:3 Kartal / İSTANBUL
Tel: +90 216 510 63 48-49 Pbx Faks: +90 216 517 63 49
www.pca-tr.com info@pca-tr.com

FR.86 Rev.2



Certificate

OHSAS 18001 : 2007

ATLAS GRUP HAVUZ ARITMA İNŞAAT TAAHHÜT İTHALAT İHRACAT PAZARLAMA SANAYİ VE TİCARET LTD. ŞTİ.

Tavukçuyolu Cad. No:160 Ümraniye İstanbul/ TURKEY

This certificate shows that the occupational health and safety management system of the above company was approved by PCA Certification for the following scope, the validity of the certificate depends on the company's pass the annual surveillance audits and company's maintenance the related management system conditions according to international accreditation criteria.

SCOPE

Building of swimming pool and fountain pool, waste water treatment, manufacturing and sale of lastic pumps, globe valve, sleeve and filter equipments for fluid transfer lines designing, manufacturing and selling

Certificate No	: OH-51974
Registration Date	: 30.04.2018
Reissue Date	:
Expiry Date	: 29.04.2019
Certificate Period	: 3 Years (From the date of registration)



PCA Certification Approval

PCA Sertifikasyon Hizmetleri Limited Şirketi
Atalar Mah. Çanakkale Caddesi No:79 D:3 Kartal / İSTANBUL
Tel: +90 216 510 63 48-49 Pbx Faks: +90 216 517 63 49
www.pca-tr.com info@pca-tr.com

FR.86 Rev.2



Sertifika Certificate



CERTIFICATE OF CONFORMITY

Technical file of company mentioned below has been inspected and audit has been completed successfully. 2014/68/EU Pressure Equipment Directive and 2014/35/EU Low Voltage Directive have been taken as references for these processes

Company Name : ATLAS GRUP HAVUZ ARITMA İNŞAAT TAAHHÜT İTHALAT İHRACAT PAZARLAMA SANAYİ VE TİC. LTD. ŞTİ.

Company Address : TAVUKÇUYOLU CAD. NO:160 ÜMRANIYE İSTANBUL

Related Directives and Annex : Low Voltage Directive 2014/35/EU
Pressure Equipment Directive 2014/68/EU

Related Standards : EN 10207, 76/767/ EEC, DIN 19605 , 19643, 4924, 3402, 4046
EN 60335, EN 1286, EN 1567

Product Name : Polyester filter, Norm filter, Plastic filter

Product : Polyester filter 152150
Brand/Model/Type : Norm filter 214551
Plastic filter 95651

Certificate Number : CE-18.11.133

Registration Date : 22.11.2018

Expiry Date : 21.11.2019

The CE mark shown on the right can only be used under the responsibility of the manufacturer with the completion of EC Declaration of Conformity for all the relevant Directives. This certificate remains the property of DSR International Inspection and Certification Ltd. to whom it must be returned upon request. The above named firm must keep a copy of this certificate for 15 years from the registration of certificate. This certificate only covers the product(s) stated above and DSR must be noticed in case of any changes on the product(s)



FR-072 Yayın Tarihi:18.04.2017
Rev.No:01 Rev.Tarihi: 24.05.2018

Rev:00 / Revizyon Tarihi:

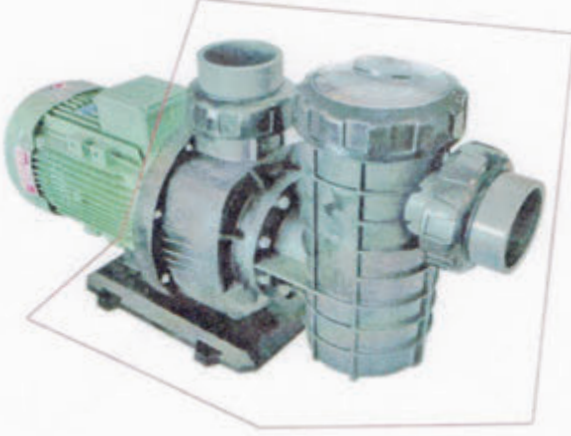


TASARIM TESCİL BELGESİ

TESCİL NUMARASI : 2014 03662

Bu belge ekinde yer alan tasarım, 14/05/2014 tarihinde tescil edilmiş olup 554 Sayılı Endüstriyel Tasarımların Korunması Hakkında Kanun Hükmünde Kararname'nin 12 nci maddesi gereğince 5 yıl süre ile korunmaktadır. İşbu belge 16/03/2015 tarihinde düzenlenmiştir

Prof. Dr. Habip ASAN
Enstitü Başkanı



2014 03662

1.1 Sirkülasyon Pompası



2014 03662

1.2 Sirkülasyon Pompası



2014 03662

1.3 Sirkülasyon Pompası



T.C.
GÜMRÜK VE TİCARET BAKANLIĞI
Tüketicinin Korunması ve Piyasa Gözetimi Genel Müdürlüğü

BİLDİRİM KAYIT BELGESİ

Bildirim No:	HK/012	Bildirim Tarihi	17.03.2011
İthalatçı veya Üretici Adı:	ATLAS GRUP HAVUZ ARITMA İNŞ. TAAH. PAZ. SAN. TİC. LTD ŞTİ.		
İthalatçı veya Üretici Adresi:	Tavukçuyolu Cad. No:160 Y.Dudullu-Ümraniye/İSTANBUL		
Üretim Yeri Adı ve Adresi:	Gündem Kimyasal Ürünleri Paz. Havuzculuk Trz. Tic. Ltd. Şti. Altıayak Mah. Ayanoğlu Cad. Varsak Sanayii Çalıř Sitesi No:66 Daire:9 Varsak/ANTALYA		
Vergi Dairesi:	Sarıgazi Vergi Dairesi		
Vergi No:	102 040 8922		
Kullanım Amacı:	Havuz Suyunda Kullanılan Yardımcı Kimyasal Maddeler		
Marka Adı:	A WATER ATLASPOOL HAVUZ EKİPMANLARI		

Ürün Çeşitleri:

- 1- ATLASFLOX PARTİKÜL ÇÖKTÜRÜCÜ
- 2- POOL SHOCK HIZLI PARLATICI
- 3- SIVI PH DÜŐÜRÜCÜ
- 4- TOZ PH DÜŐÜRÜCÜ

31.10.2013 tarihli ve 28807 sayılı Resmi Gazete’de yayımlanan “Havuz Suyunda Kullanılan Yardımcı Kimyasal Maddelerin Üretimi, İthalatı, Piyasa Gözetimi ve Denetimi ile Bildirim Esaslarına Dair Tebliğ” gereğİ yukarıda adı geçen ürünlerin bildirim kaydı kabul edilmiştir.


Meral KARAASLAN
Bakan
Daire Başkanı

NOT: Bildirim kaydı, üretim yeri adres deęişikliği nedeniyle 03.03.2015 tarih ve HK/012 sayı ile yeniden düzenlenmiştir.



ЕВРАЗИЙСКИЙ ЭКОНОМИЧЕСКИЙ СОЮЗ ДЕКЛАРАЦИЯ О СООТВЕТСТВИИ

Заявитель. Общество с ограниченной ответственностью "ЕМСС ГРУП"

Основной государственный регистрационный номер: 1067746863458, место нахождения: Российская Федерация, Москва, 119071, Ленинский проспект, дом 15, офис 313, телефон: +74957486901,

электронная почта: info@emcc-group.ru

в лице генерального директора Михаленковой Екатерины Валентиновны

заявляет, что Насосы для воды в плавательных бассейнах, торговой марки "ATLAS GRUP", модели: ATS POM001, ATS POM002, ATS POM003, ATS POM004, ATS POM005, ATS POM006, ATS POM007, ATS POM008, ATS POM009, ATS POM010, ATS POM011, ATS POM012, ATS POM013, ATS POM014, ATS POM015, ATS POM016, ATS POM017, ATS POM018, ATS POM019, ATS POM020, ATS POM021, ATS POM022, ATS POM023, ATS POM024.

изготовитель "ATLAS GRUP HAVUZ ARITMA INS. TAAN. ITH. IHR. PAZ. SAN. VE TIC. LTD. STI.", место нахождения и адрес места осуществления деятельности по изготовлению продукции: Tavukcuolu Cad. No:160, Y. Dudullu, Umraniye, Istanbul, Турция

Продукция изготовлена в соответствии с ТР ТС 004/2011 "О безопасности низковольтного оборудования", ТР ТС 010/2011 "О безопасности машин и оборудования", ТР ТС 020/2011 "Электромагнитная совместимость технических средств"

Код ТН ВЭД ЕАЭС 8413 81 000 0. Серийный выпуск

соответствует требованиям

ТР ТС 004/2011 "О безопасности низковольтного оборудования", ТР ТС 010/2011 "О безопасности машин и оборудования", ТР ТС 020/2011 "Электромагнитная совместимость технических средств"

Декларация о соответствии принята на основании

Протокола испытаний № 9/682/77ТА от 17.11.2016 года, выданного Обществом с ограниченной ответственностью "Испытательная лаборатория ручных и переносных электрических машин", аттестат аккредитации РОСС RU.0001.21MO54

Схема декларирования 3д

Дополнительная информация

ГОСТ 31839-2012 (EN 809:1998) "Насосы и агрегаты насосные для перекачки жидкостей. Общие требования безопасности", разделы 5-8; ГОСТ 12.2.007.0-75 "Система стандартов безопасности труда. Изделия электротехнические. Общие требования безопасности", разделы 5 и 7; ГОСТ 30804.3.2-2013 (IEC 61000-3-2:2009) "Совместимость технических средств электромагнитная. Эмиссия гармонических составляющих тока техническими средствами с потребляемым током не более 16 А (в одной фазе). Нормы и методы испытаний", раздел 5; ГОСТ 30804.3.3-2013 (IEC 61000-3-3:2008) "Совместимость технических средств электромагнитная. Ограничение изменений напряжения, колебаний напряжения и фликера в низковольтных системах электроснабжения общего назначения. Технические средства с потребляемым током не более 16 А (в одной фазе), подключаемые к электрической сети при несоблюдении определенных условий подключения. Нормы и методы испытаний". Условия хранения продукции в соответствии с ГОСТ 15150-69. Срок хранения (службы, годности) указан в прилагаемой к продукции товаросопроводительной и/или эксплуатационной документации.

Декларация о соответствии действительна с даты регистрации по 27.03.2020 включительно



Михаленкова Екатерина Валентиновна

(Ф.И.О. заявителя)

Регистрационный номер декларации о соответствии: ЕАЭС N RU Д-ТР.ПЦ01.В.27406

Дата регистрации декларации о соответствии: 28.03.2017



ЕВРАЗИЙСКИЙ ЭКОНОМИЧЕСКИЙ СОЮЗ ДЕКЛАРАЦИЯ О СООТВЕТСТВИИ

Заявитель, Общество с ограниченной ответственностью "ЕМСС ГРУП"

Основной государственный регистрационный номер: 1067746863458, место нахождения: Российская Федерация, Москва, 119071, Ленинский проспект, дом 15, офис 313, телефон: +74957486901, электронная почта: info@emss-group.ru

в лице генерального директора Михаленковой Екатерины Валентиновны

заявляет, что Фильтры для очистки воды в плавательных бассейнах торговая марка "ATLAS GRUP", модели: ATS FLT001, ATS FLT002, ATS FLT003, ATS FLT004, ATS FLT005, ATS FLT006, ATS FLT007, ATS FLT008, ATS FLT009, ATS FLT010, ATS FLT011, ATS FLT012, ATS FLT013, ATS FLT014, ATS FLT015, ATS FLT016, ATS FLT017, ATS FLT018, ATS FLT019, ATS FLT020, ATS FLT021.

изготовитель "ATLAS GRUP HAVUZ ARITMA INS. TAAN. ITH. IHR. PAZ. SAN. VE TIC. LTD. SP.", место нахождения и адрес места осуществления деятельности по изготовлению продукции: Tavukcuolu Cad. No:160, Y. Dudullu, Umraniye, Istanbul, Турция

Продукция изготовлена в соответствии с ТР ТС 010/2011 "О безопасности машин и оборудования"
Код ТН ВЭД ЕАЭС 8421 21 000 9 . Серийный выпуск

соответствует требованиям

ТР ТС 010/2011 "О безопасности машин и оборудования"

Декларация о соответствии принята на основании

Протокола испытаний № 9/681/77ТА от 17.11.2016 года, выданного Обществом с ограниченной ответственностью "Испытательная лаборатория ручных и переносных электрических машин", аттестат аккредитации РОСС RU.0001.21MO54

Схема декларирования 3д

Дополнительная информация

ГОСТ Р 51127-98 "Фильтры жидкостные периодического действия, работающие под давлением. Требования безопасности и методы испытаний", раздел 3. Условия хранения продукции в соответствии с ГОСТ 15150-69. Срок хранения (службы), ресурс продукции указан в прилагаемой к продукции товаросопроводительной и/или эксплуатационной документации.

Декларация о соответствии действительна с даты регистрации по 28.03.2020 включительно



Михаленкова Екатерина Валентиновна

(Ф.И.О. заявителя)

Регистрационный номер декларации о соответствии: ЕАЭС N RU Д-ТР.ЛЩ01.В.27404

Дата регистрации декларации о соответствии: 29.03.2017



**ATLAS GRUP HAVUZ ARITMA İNŞ. TAAH.
İTH. İHR. PAZ. SAN. ve TİC. LTD. ŞTİ.**

FABRİKA & SHOWROOM:

Tavukçu Yolu Cd. No: 160 Y.Dudullu - Ümraniye / İST.

Tel: 0216 499 24 00 - 499 26 87 - 88 (Pbx)

Fax: 0216 499 26 89

FABRİKA:

Ferhatpaşa Mh. 41.Sok. No: 8 Ataşehir/İstanbul

Tel: 0216 499 24 00 - 499 26 87 - 88 (Pbx)

Fax: 0216 499 26 89

FABRİKA & SHOWROOM:

İkitelli Org. San. Böl. İpkaş San. Sit.

Başakşehir/İstanbul

Tel: 0212 485 65 15

AZERBAYCAN:

Baki seheri , Neriman Nerimanov Ray.

Ziya Bunyadov Kuc.13 - Baku / Azerbaycan

Tel: +994 50 218 83 23 +994 50 204 94 77

AFRİKA:

New Bagamoyo Road, Opp Victoria

Petrol Station Plot No: 78 P.O.Box: 75751,

Dar es Salaam - Tanzania Tel: +255 657 128527

KIBRIS:

Gaza - Shefa St. Manara Bld.

Girne